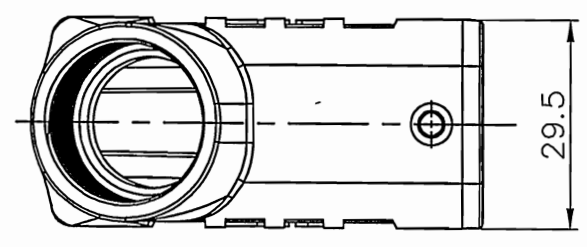
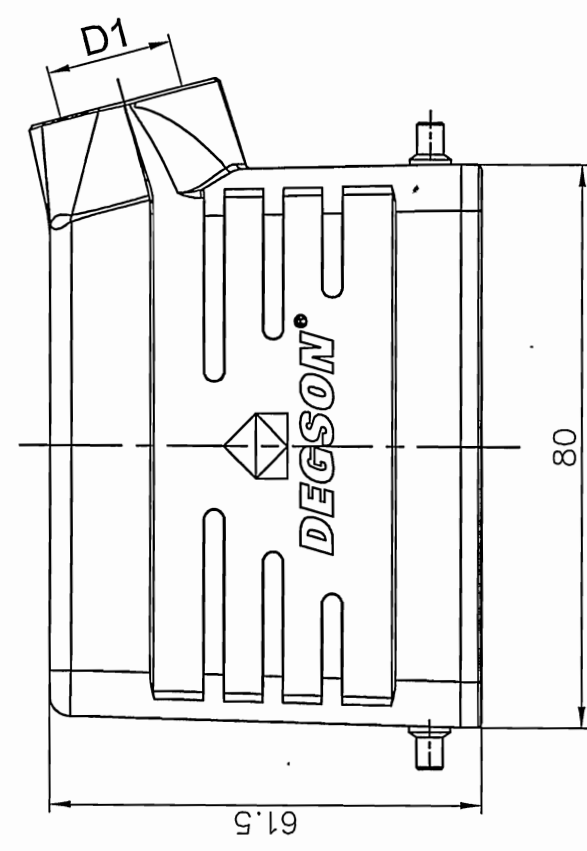
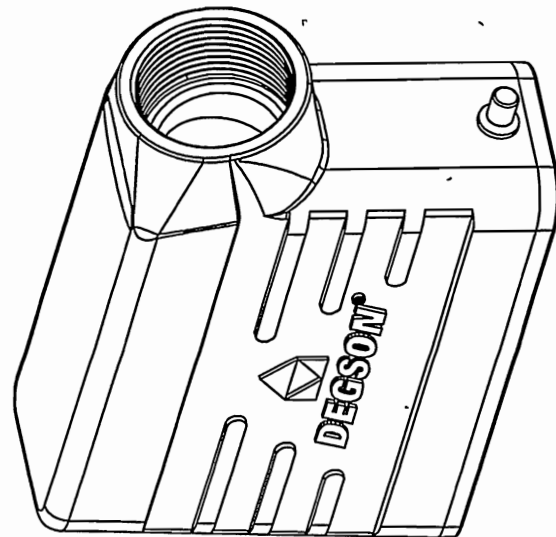


TYPE	Thread(D1) Selection
D16A-SE-2g-M20	M20
D16A-SE-2g-PG16	PG16

REVISION RECORD	
REV	DESCRIPTION



- Hoods Feature**
01. Material: Aluminum die-cast
 02. Surface: Powder-coated
 03. Color: grey (RAL 7037)
 04. Limiting temperatures: -40°C ~ +125°C
 05. Sealing: NBR
 06. Flammability acc to UL94: V0
 07. Degree of protection acc. to EN60529 for coupled connector: IP65
 08. Rohs Compliance

PART NO.:	DEGSON® 宁波高松电子有限公司
APPD: HJS 2016.8.15	NINGBO DEGSON ELECTRICAL CO., LTD
CHKD: CHK 2016.8.1	NAME: D16A-SE-2g-M/PG
DRFT: Mr.yang 2016.08.15	TITLE: CUSTOMER DRAWING
DETAILED LISTS	REV DO-1
THIRD ANGLE PROJECTION	SHEET 1/1
DO NOT SCALE	DRAWING SCALE 1:1