

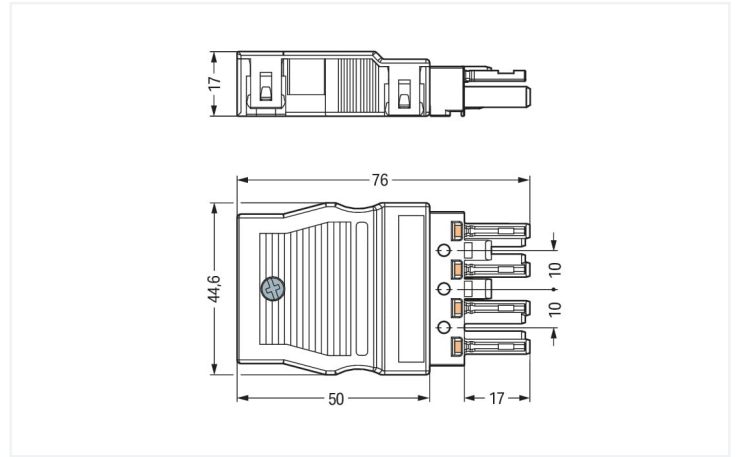
Data Sheet | Item Number: 770-104

Socket; with strain relief housing; 4-pole; Cod. A; 4,00 mm²; black

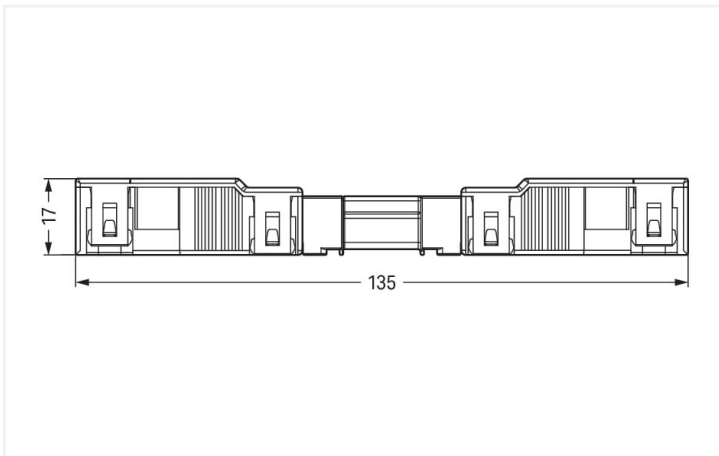
<https://www.wago.com/770-104>



Color: ■ black



Dimensions in mm



Dimensions in mm

Overall length when mated

Female connector/socket WINSTA® MIDI with protection type IP20

For power and signal transmission: The WINSTA® MIDI female connector/socket A coding. WAGO pluggable installation connectors can be used when specifications repeat or are distributed on a specific grid, for example for installing grid lighting or flush-mount lighting. For greater protection in electrical installations, the pluggable installation connector is equipped with mechanical protection against mismatching. The pluggable installation connector is protected in accordance with protection type IP20 (When mated and secured with a strain relief housing: IP2xC (These compact connectors are not designed for use in open, easily accessible areas!)). That results in the fact that users' fingers will never come into contact with electrified elements. The WINSTA® MIDI pluggable installation connector with A coding in white or black is normally used for general mains applications in power distribution. This pluggable installation connector is designed for a voltage load of up to 25 A. As a result, it can also be used for high power loads. WINSTA® MIDI with Push-in CAGE CLAMP® spring pressure connection technology is found in a broad range of individual products you can use for quick, easy and maximally flexible installation. The strip length is 55 mm.

Lower costs through fast commissioning and elimination of service expenses – solutions from WINSTA® MIDI

WINSTA® is the pluggable connection system that is ideally tailored to the strict requirements of electrical installation. It ensures error-free installation of cables and components, quickly and reliably. Choose quality and durability – with marking from WAGO makes the installation of electrical components visibly easier.

- protection against mismatching eliminates errors
- pre-assembled versions
- with A coding for a great number of applications
- exact dimensions
- quick replacement of defective units during ongoing operation

This item includes:



Item No.: 770-504

1

Item No.: 770-204

1

Strain relief housing; 4-pole; for 2 cables;
9.0 ... 13.0 mm; 55 mm; blackSocket; 4-pole; Cod. A; 4,00 mm²; black

Electrical data

Ratings per	IEC/EN 60664-1			Approvals per	UL 1977
Overvoltage category	III	III	II	Rated voltage	600 V
Pollution degree	3	2	2	Rated current	23 A
Nominal voltage	400 V	-	-		
Rated surge voltage	6 kV	-	-		
Rated current	25 A	-	-		

General information

Note on contact resistance	approx. 1 mΩ of contact resistance approx. 0.25 mΩ contact transition plug/ socket
----------------------------	--

Connection data

Connection points	8	Connection 1	
Total number of potentials	4	Connection technology	Push-in CAGE CLAMP®
		Actuation type	Operating tool Push-in
		Nominal cross-section	4 mm ² / 12 AWG
		Solid conductor	0.5 ... 4 mm ² / 20 ... 12 AWG
		Solid conductor; push-in termination	1.5 ... 4 mm ² / 16 ... 12 AWG
		Stranded conductor	0.5 ... 2.5 mm ² / 20 ... 14 AWG
		Fine-stranded conductor	0.5 ... 4 mm ² / 20 ... 12 AWG
		Fine-stranded conductor; with insulated ferrule	0.25 ... 1.5 mm ² / 20 ... 16 AWG
		Fine-stranded conductor; with uninsulated ferrule	0.25 ... 2.5 mm ² / 20 ... 14 AWG
		Fine-stranded conductor; with ferrule; push-in termination	1.5 mm ² / 16 AWG
		Strip length	9 mm / 0.35 inches
		Pole number	4
		Connectable sheathed cable diameter	9 ... 13 mm
		Conductor entry direction to mating direction	0°
		Strip length (outer insulation)	55 mm

Physical data

Pin spacing	10 mm / 0.394 inches
Width	44.6 mm / 1.756 inches
Height	17 mm / 0.669 inches
Depth	76 mm / 2.992 inches

Mechanical data	
Application	General mains applications
Coding	A
Variable coding	Yes
Marking	N 2/L 1/L'
Potential marking	N 2/L 1/L'
Mating force of a plug-in connection	approx. 20 ... 70 N (depending on pole number)
Retention force of a plug-in connection	Locked: > 80 N
Unmating force of a plug-in connection	Unlocked: approx. 20 ... 70 N (depending on pole number)
Number of mating cycles	200, without resistive load
Protection type	IP20; When mated and secured with a strain relief housing: IP2xC (These compact connectors are not designed for use in open, easily accessible areas!)

Plug-in connection	
Contact type (pluggable connector)	Female connector/socket
Connector (connection type)	for conductor
Mismating protection	Yes
Note on mismating protection	All WINSTA® components are 100% protected against mismating when: a.) plugging different numbers of poles b.) plugging while rotated 180 c.) plugging while laterally staggered d.) plugging one pole
Locking lever	Can be retrofitted
Locking of plug-in connection	Locking lever
Note on locking system	All connectors for mounted installations (snap-in versions for lighting fixtures or devices, all types of PCB and distribution connectors) are factory-equipped with locking levers to ensure plugs and sockets are securely locked. Additional locking levers are only required for flying leads (plug/socket).
Strain relief	Strain relief housing

Environmental Product Compliance	
RoHS Compliance Status	Compliant, No Exemption

1 Compatible Products

1.1 System counterpart

1.1.1 Cable assembly



Item No.: 771-9994/206-101
pre-assembled connecting cable; Eca; Plug/open-ended; 4-pole; Cod. A; H05VV-F 4G 1.5 mm²; 1 m; 1,50 mm²; black

Item No.: 771-9994/006-101
pre-assembled interconnecting cable; Eca; Socket/plug; 4-pole; Cod. A; H05VV-F 4G 1.5 mm²; 1 m; 1,50 mm²; black

1.1.2 Distribution connector



Item No.: 770-944
h-distribution connector; 4-pole; Cod. A; 1 input; 2 outputs; outputs on one side; 2 locking levers; black

Item No.: 770-945
h-distribution connector; 4-pole; Cod. A; 1 input; 2 outputs; outputs on one side; 3 locking levers; for flying leads; black

Item No.: 770-626
T-distribution connector; 4-pole; Cod. A; 1 input; 2 outputs; 2 locking levers; black

Item No.: 770-627
T-distribution connector; 4-pole; Cod. A; 1 input; 2 outputs; 3 locking levers; for flying leads; black

1.1.3 Male connector/plug



Item No.: 770-814/011-000

Plug for PCBs; angled; 4-pole; Cod. A; black

Item No.: 770-814

Plug for PCBs; straight; 4-pole; Cod. A; black

Item No.: 770-214

Plug; 4-pole; Cod. A; 4,00 mm²; black

Item No.: 770-114

Plug; with strain relief housing; 4-pole; Cod. A; 4,00 mm²; black



Item No.: 770-714

Snap-in plug; 4-pole; Cod. A; 4,00 mm²; black

Item No.: 770-714/007-000

Snap-in plug; with direct ground contact; 4-pole; Cod. A; 4,00 mm²; black

1.2 Required Accessories

1.2.1 Cover

1.2.1.1 Cover



Item No.: 770-201

Lockout cap; 12-pole, separable; for sockets; Plastic; black

Item No.: 770-221

Lockout cap; 12-pole, separable; for sockets; Plastic; white

1.2.2 Locking system

1.2.2.1 Locking system



Item No.: 770-101

Locking lever; for flying leads; for manual operation; black

Item No.: 770-121

Locking lever; for flying leads; for manual operation; white

Item No.: 770-111

Locking lever; for flying leads; for tool operation; black

Item No.: 770-131

Locking lever; for flying leads; for tool operation; white