

IEC Appliance Connector C14 with Fuseholder, Line Switch 1- or 2-pole and Voltage Selector

Standard or Medical Fuse drawer



C14

 70° C

**Description**

- Panel Mount:
Screw-on version from front or rear side, snap-in version from front side
- 4 Functions:
Inlet Protection class I, Line switch 1- or 2-pole, Fuseholder with interchangeable fuse drawer for Fuse-links 5 x 20 mm or 6.3 x 32 mm, with or without voltage selector (step)
- Quick connect terminals 4.8 x 0.8 mm
- Alternative: version with line filter [CD](#)

Characteristics

- All single elements are already wired
- The fuse drawer "FingerGrip" can be removed by hand
For added safety "Extra-Safe" fuse drawers are available
Fuse drawer meets requirements of medical standard IEC/EN 60601-1
The fuse drawer can only be opened with the aid of a tool
The fuseholder is accessible from the equipment front
- Qualified for use in equipment according IEC/EN 60950

Other versions on request

- Line switch, illuminated
- Line switch with other rocker marking
- Line switch 1-pole
- For protection class II

Weblinks

[Approvals](#), [RoHS](#), [CHINA-RoHS](#), [e-Store](#), [SCHURTER-Stock-Check](#), [Distributor-Stock-Check](#)

Technical Data

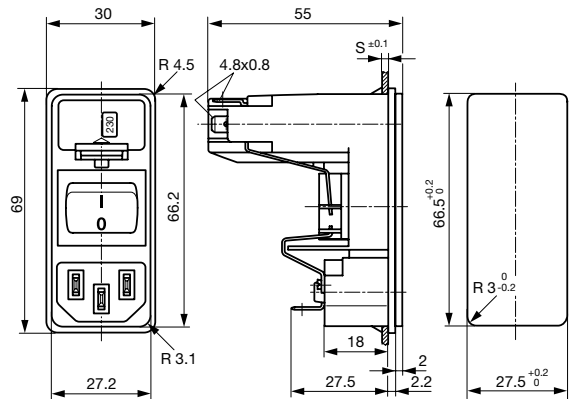
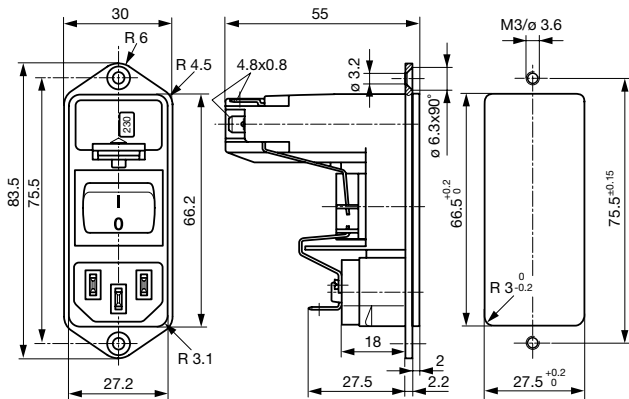
Ratings IEC	10A / 250VAC; Hz 50	Appliance-Inlet /-Outlet	C14 acc. to IEC/EN 60320-1, UL 498, CSA C22.2 no. 42 (for cold condition) pin-temperature 70 °C, 10A, Protection class I
Ratings UL/CSA	10A / 125VAC; 60Hz	Fuseholder	1 or 2 pole, Shocksafe category PC2 acc. to IEC 60127-6, for fuse-links 5 x 20 or 6.3 x 32 mm
Dielectric Strength	> 3 kVAC between L-N > 4 kVAC between L/N-PE (1 min/50Hz)	Rated Power Acceptance @ Ta 23 °C	5 x 20: 2.5W (1 pole)/ 2W (2-pole) per pole 6.3 x 32: 3.15W (1 pole)/ 2.5W (2-pole) per pole
Allowable Operation Temp.	-25 °C to 70 °C	Power Acceptance @ Ta > 23 °C	Admissible power acceptance at higher ambient temperature see derating curves
Degree of Protection	from front side IP 40 acc. to IEC 60529	Line Switch	Rocker switch 2-pole, non-illuminated, acc. to IEC 61058-1 Technical details
Protection Class	Suitable for appliances with protection class I acc. to IEC 61140	Voltage selector	optional, step, 2-4 digits
Terminal	Quick connect terminals 4.8 x 0.8 mm, tin-plated		
Panel Thickness s	Screw-on: max 8 mm Mounting screw torque max 0.5Nm Snap-in: 1.5/2/2.5 mm		
Material: Housing	Thermoplastic, black, UL 94V-0		

Dimensions

Screw-on mounting

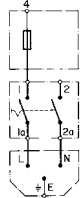
Length |-----| 83.5 mm

Snap-in mounting



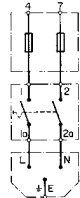
Diagrams

without voltage selector



1-pole

without voltage selector



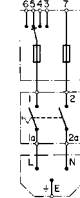
2-pole

with voltage selector



1-pole

with voltage selector

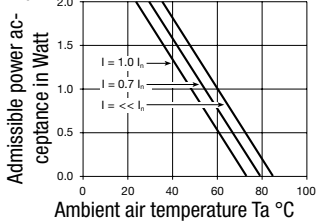


2-pole

Derating Curves for Fuseholders

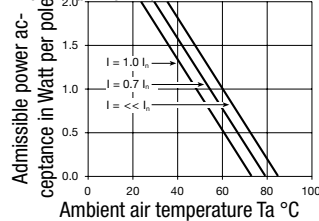
Fuses 5 x 20 mm

1-pole



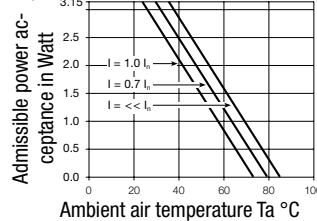
Fuses 5 x 20 mm

2-pole (per pole)



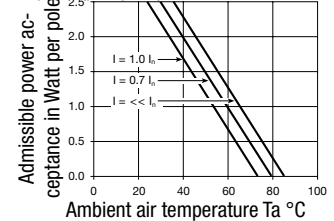
Fuses 6,3 x 32 mm

1-pole



Fuses 6,3 x 32 mm

2-pole (per pole)



[Distributor-Stock-Check](#) | [SCHURTER-Stock-Check](#) | [e-Store](#)

Fuse drawer must be ordered separately

Type	Panel mounting	Panel Thickness s [mm]	Fuseholder	Line Switch	Voltage selector max. 4 pos*	Order Number
KD	Snap-in	1.5	1 pole	Rocker switch	without	KD13.1101.105
KD	Snap-in	2	1 pole	Rocker switch	without	KD13.1101.107
KD	Snap-in	2.5	1 pole	Rocker switch	without	KD13.1101.109
KD	Snap-in	1.5	1 pole	Rocker switch	2-4 digits	KD13.4101.105
KD	Snap-in	2	1 pole	Rocker switch	2-4 digits	KD13.4101.107
KD	Snap-in	2.5	1 pole	Rocker switch	2-4 digits	KD13.4101.109
KD	Snap-in	1.5	2-pole	Rocker switch	without	KD14.1101.105
KD	Snap-in	2	2-pole	Rocker switch	without	KD14.1101.107
KD	Snap-in	2.5	2-pole	Rocker switch	without	KD14.1101.109
KD	Snap-in	1.5	2-pole	Rocker switch	2-4 digits	KD14.4101.105
KD	Snap-in	2	2-pole	Rocker switch	2-4 digits	KD14.4101.107
KD	Snap-in	2.5	2-pole	Rocker switch	2-4 digits	KD14.4101.109
KD	Screw-on	-	1 pole	Rocker switch	without	KD13.1101.151
KD	Screw-on	-	1 pole	Rocker switch	2-4 digits	KD13.4101.151

Type	Panel mounting	Panel Thickness s [mm]	Fuseholder	Line Switch	Voltage selector max. 4 pos*	Order Number
KD	Screw-on	-	2-pole	Rocker switch	without	KD14.1101.151
KD	Screw-on	-	2-pole	Rocker switch	2-4 digits	KD14.4101.151

Can be used as 2-/3-position voltage selector - take only corresponding terminals

Packaging unit 20 Pcs

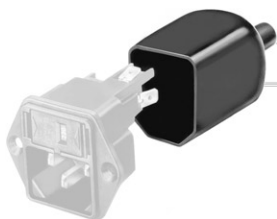
Required Accessory

Description



Fusedrawer 3
Drawers for fuse links 5x20mm resp. 6.3x32mm

Accessory



Assorted Covers
Rear Cover



Cord retaining kits
Cord retaining strain relieve