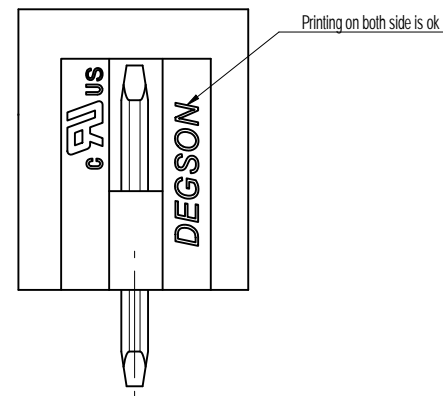
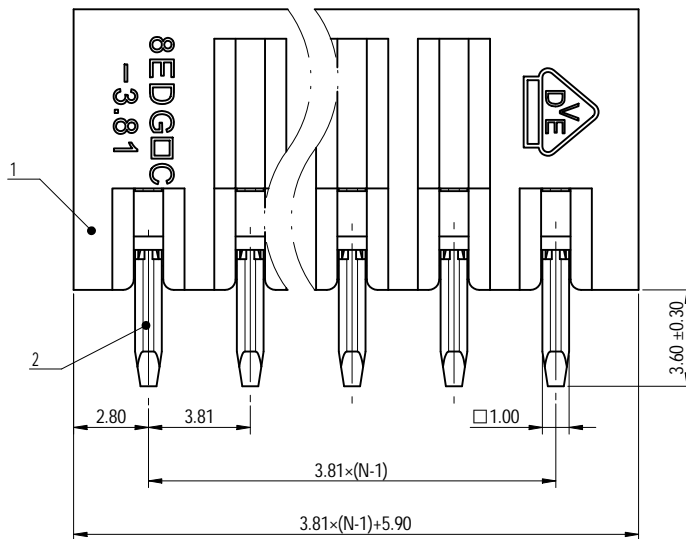
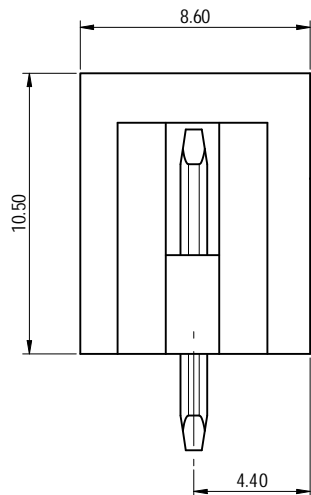
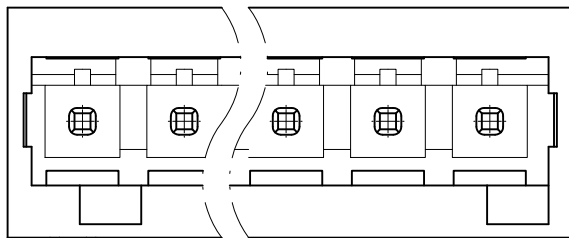
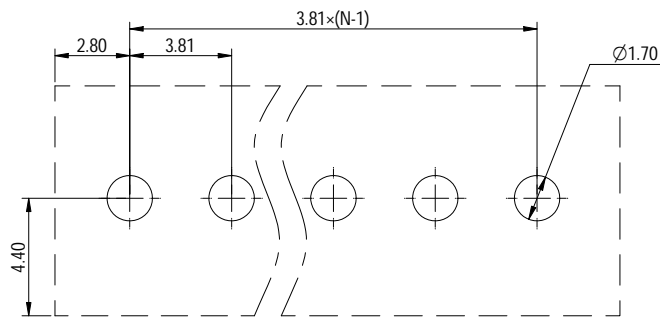


公差/General tolerances (mm)													D	
0	>3	>6	>10	>18	>30	>50	>80	>120	>180	>250	>315	>400	>500	0.1/10
~	~	~	~	~	~	~	~	~	~	~	~	~	~	N
±0.12	±0.18	±0.22	±0.26	±0.31	±0.37	±0.57	±0.80	±0.93	±1.05	±1.15	±1.60	±2.20	±2.50	±2



PCB LAYOUT



Note: The A&Z(H) in the name means: A(H) and Z(H).

ITEM	NAME OF PART	MATERIAL	NOTES
2	Pin header	Copper alloy	Sn Plated
1	Housing	PA66	UL94V-0

UL 标准/UL Standard:	B	C	D
额定电压/电压/Rated Voltage(V)/Current(A)	300/10	/	/
IEC 标准/IEC Standard:			
过压类别/Overvoltage Category/污染等级/Pollution Degree	III/3	II/2	II/2
额定电压/电压/Rated Voltage(V)/Current(A)	130/10	/	/
额定脉冲电压(KV)/Rate Impulse Voltage(KV)	2.5	/	/
间距/Pitch(mm)/线数范围/Poles		3.81/N=02-24P	
使用温度范围/Operating temperature(°C)		-40~+105	
符合RoHS环保要求/Conform to RoHS		Yes	

DEGSON		MATERIAL:	SURFACE/COLOR: PANTONEC 428C		
APPD: 蓝美凡	2023.01.06	MAT NO./REV:	- / 00		
CHKD: 曹利彬	2023.01.04	NAME:	8EDGVC-3.81-XXP-11-01A&Z(H)		
DRFT: 姜民浩	2022.12.27	DRAWING NO.	200126540	TYPE	CUSTOMER DRAWING
REV	ECN	DESCRIPTION	DRFT	DATE	DRAWING STATUS
00			姜民浩	2022.12.27	已发布
			姜民浩	2022.12.27	SCALE
			姜民浩	2022.12.27	1:1
			姜民浩	2022.12.27	SHEET
			姜民浩	2022.12.27	1/1

Transfer or duplication of this document as well as the utilization of its contents without the written permission of DEGSON is prohibited. All rights reserved for patent.