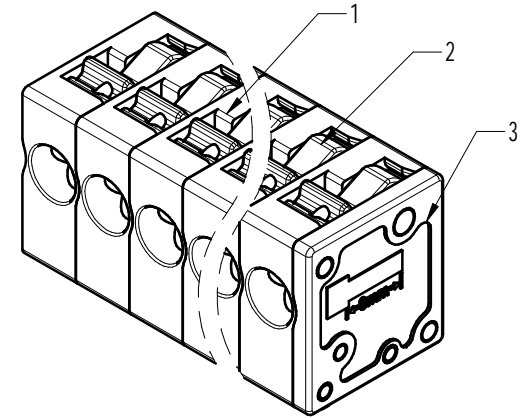


公差/General tolerances (mm)													0.1/10
0	>3	>6	>10	>18	>30	>50	>80	>120	>180	>250	>315	>400	
~3	~6	~10	~18	~30	~50	~80	~120	~180	~250	~315	~400	~500	~500
±0.12	±0.18	±0.22	±0.26	±0.31	±0.37	±0.57	±0.80	±0.93	±1.05	±1.15	±1.60	±2.20	±2.50

UL 标准/UL Standard:	B	C	D
额定电压/电流/Rated Voltage(V)/Current(A)	300/15	/	300/10
IEC 标准/IEC Standard:			
过压类别/Overvoltage Category/污染等级/Pollution Degree	III/3	III/2	II/2
额定电压/电流/Rated Voltage(V)/Current(A)	320/20	400/20	630/20
额定脉冲电压(KV)/Rate Impulse Voltage(KV)	4	4	4
线径范围(硬线和软线)/Wire Range(rigid and flexible)(AW)	18~14 / 0.75~2.5		
间距/Pitch(mm)/线数范围/Poles	5/N=02~12P		
剥线长度/Stripping length(mm)	9~10		
使用温度范围/Operating temperature(°C)	-40~+110		
符合RoHS环保要求/Conform to RoHS	Yes		
标准颜色编号/Standard color number: PANTONE / RAL	Green		



ITEM	NAME OF PART	MATERIAL	NOTES
5	Pin_header	Copper	Sn_plated
4	Spring	Stainless Steel	/
3	Cover	Nylon	UL94V-0
2	Button	PPS	UL94V-0
1	Housing	Nylon	UL94V-0

		MATERIAL:		SURFACE/COLOR:		
		MAT NO./REV: / 00		MAT STATUS:		
APPD: David	2023.02.09	NAME				
CHKD: David	2023.02.09	DGPS2.5R-5.0-XXP-1Y-00Z(H)				
DRFT: 曹心一	2023.02.09	DRAWING NO.	TYPE	DRAWING STATUS	SCALE	SHEET
		200123562	CUSTOMER DRAWING	已发布	2:1	1/1

REV	ECN	DESCRIPTION	DRFT	DATE
00			曹心一	2023.02.09

Transfer or duplication of this document as well as the utilization or summation of its contents are prohibited unless explicitly authorized in writing by DEGSON. All rights reserved for patent. 除专利等知识产权外，所有权利均保留。