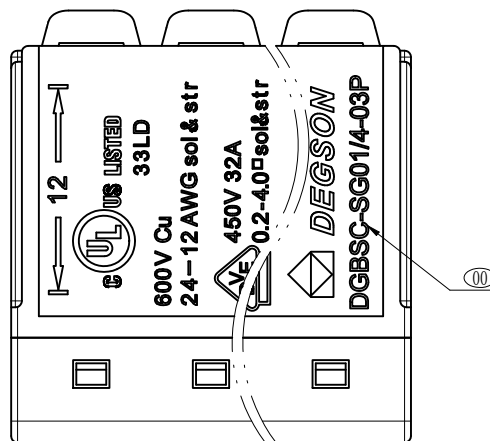
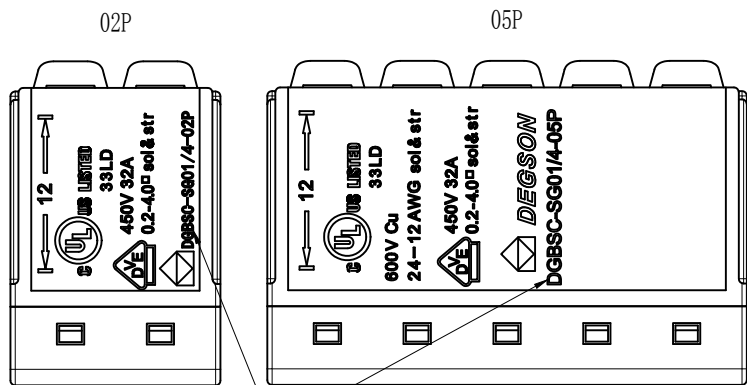


The test hole at 02P is on the right



公差/General tolerances (mm)													D 0.1/10		
0	>3	>6	>10	>18	>30	>50	>80	>120	>180	>250	>315	>400		>500	
~	3	6	10	18	30	50	80	120	180	250	315	400	500		
±0.12													±2		
UL 标准/UL Standard:															
额定电压/Rated Voltage(V)													600		
IEC 标准/IEC Standard:															
过压类别/Ovenvoltage Category/污染等级/Pollution Degree										III/3	III/2	II/2			
额定电压/电流/Rated Voltage(V)/Current(A)													/	450/32	/
工频耐压/Withstanding voltage(V/1Min)													/	AC2500	/
线径范围(硬线和软线)/Wire Range(rigid and flexible)(AWG/mm²)													24~12 / 0.2~4.0		
间距/Pitch(mm)/线数范围/ Poles													5.6/N=02P/03P/05P		
剥线长度/Stripping length(mm)													12		
使用温度范围/Operating temperature(°C)													-40~+85 (IEC)		
符合RoHS环保要求/Conform to RoHS													Yes		
Mark/DGBSC-SG01/4-02P: 600V Cu															
24-12AWG sol&str															

5	Current carrier	Copper	Sn Plated
4	Spring	Stainless steel	/
3	Button	PA66+GF	UL94V-0
2	Cover	PC	UL94V-2
1	Housing	PC	UL94V-2
ITEM	NAME OF PART	MATERIAL	NOTES

品名/Name	按钮颜色/The button color	壳体&盖板颜色/The housing&cover color
DGBSC-SG01/4-XXP(1Y-00AH)	绿色/Green	透明/Transparent
DGBSC-SG01/4-XXP(1Y-11AH)	棕色/Brown	透明/Transparent
DGBSC-SG01/4-XXP(1Y-12AH)	蓝色/Blue	透明/Transparent
DGBSC-SG01/4-XXP(1Y-13AH)	黑色/Blue	透明/Transparent
DGBSC-SG01/4-XXP(1Y-14AH)	绿色/Green	透明黄/Yellow Transparent
DGBSC-SG01/4-XXP(1Y-15AH)	红色/Red	透明/Transparent

DEGSON MATERIAL: /		SURFACE/COLOR: /	
APPD: 岑春华	2022.04.22	NAME:	
CHKD: 陈超	2022.04.22	DGBSC-SG01/4-XXP(1Y-00AH)	
DRFT: 岑凯	2022.04.22	DRAWING NO.	200066324
		TYPE	CUSTOMER DRAWING
		DRAWING STATUS	已发布
		SCALE	1:1
		SHEET	1/1

00	1X品名制字由00221变更有0068C	岑凯	2022.04.22
REV	ECN	DESCRIPTION	DRFT DATE
④	A3	④	④

Transfer or duplication of this document as well as the utilization of its contents in any form without the written permission of DEGSON is prohibited. All rights reserved for patent. 未经授权复制或传播本文件及其内容，或以任何形式利用其内容，均须经 DEGSON 书面许可。保留所有权利。如有侵权，本公司将依法追究法律责任。