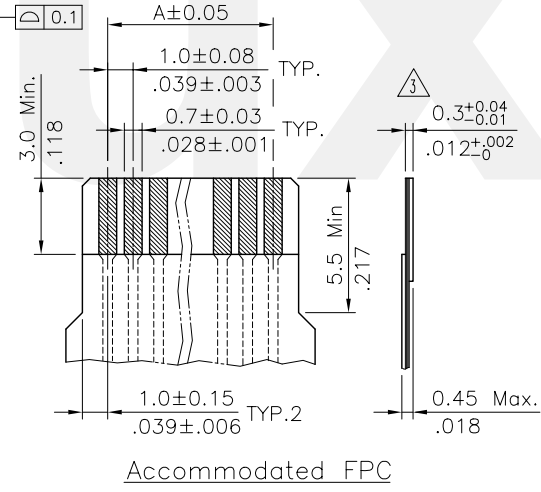
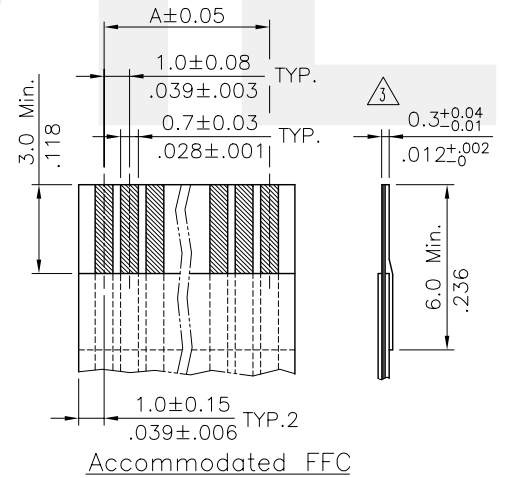
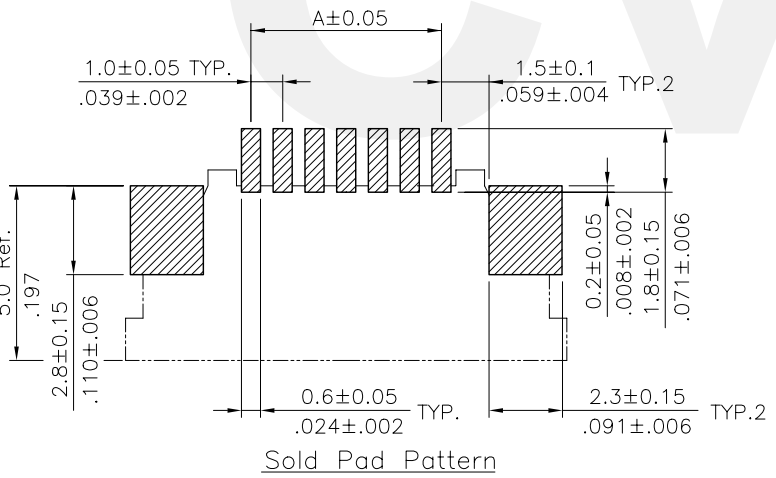
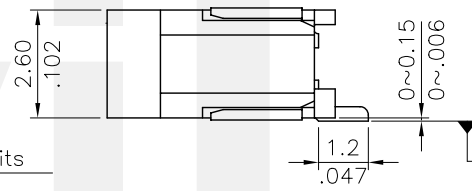
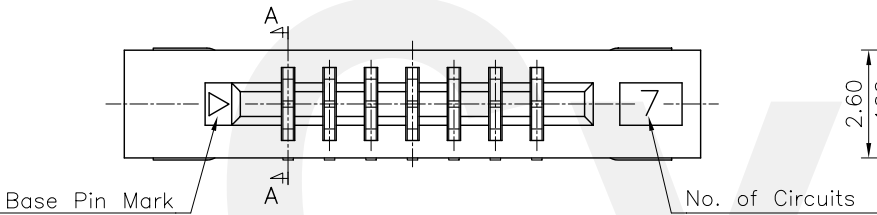
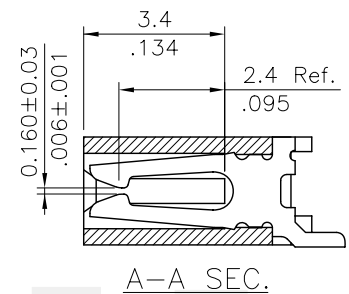


No. of circuits	DIM. A	DIM. B	DIM. C
7	6.00 (.236)	14.0 (.551)	8.10 (.319)
10	9.00 (.354)	17.0 (.669)	11.10 (.437)
△ 11	10.00 (.393)	18.0 (.709)	12.10 (.476)



Material :
 * Body : High Temperature glass filled polyamide UL 94V-0
 * Contact : Phosphor Bronze
 * Fixed tab : Brass with Matte Tin plated

Ordering Code

CF08 10 1 H 2 * 0 -LF
 ① ② ③ ④ ⑤ ⑥ ⑦ ⑧

- ① Series No.
- ② No. of Circuits: 7, 10, 11
- ③ Plating code:
1 = Matte Tin plated over Nickel
- ④ Contact style: H = Side entry
- ⑤ Color: 2 = Brown
- ⑥ Packing options: R = Tape & Reel
T = Tube packing
- ⑦ Other options: 0 = Standard
- ⑧ Process options: -LF = Lead Free IR Process

Lead Free Process
 RoHS Compliant

△ 4						DATE	UNIT: mm / inch	TITLE: 1.00mm(.039") LIF FPC/FFC SURFACE MOUNT CONNECTOR	瀚荃股份有限公司 CviLux Corporation				
△ 3	Sandy	9/22-07'	ECN07381/ECR07065-1		DRAWN BY:	Sandy	9/22-07'	TOLERANCE UNLESS OTHERWISE SPECIFIED					
△ 2	Bill	3/29-07'	ECN07119		ENGINEER:	Eisley	9/28-07'	.X ± 0.15/.006 X' ± 1'					
△ 1	Sun	3/12-07'	ECN07091		CHECKED BY:	David	9/28-07'	.XX ± 0.10/.004 X' ±					
SYM	NAME	DATE	REVISIONS		APPROVED BY:	Alex	9/28-07'	.XXX ± 0.05/.002 XX' ±					
								MATERIAL:	DRAWING NO.	CF0819SE	PART NO.	CF08**1H2*0-LF	
								CUSTOMER:	F2E0039	SCALE	5 / 1	SHEET	1 OF 1