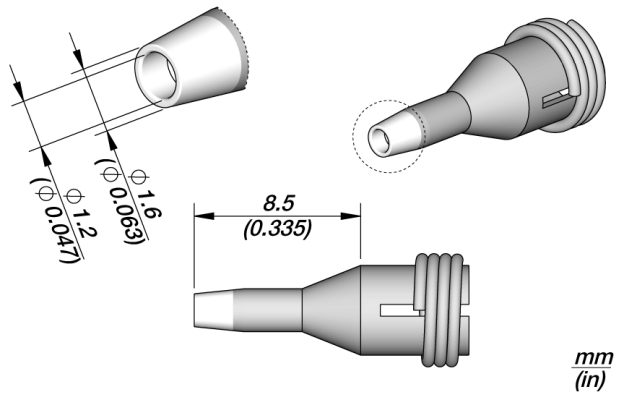


Through-hole Desoldering Tip Ø 1.2

JBC Tools C360004 desoldering tip cartridges have been specially designed to work with DS360 Micro Desoldering Iron.

C360004 cartridges offer instant heat up, excellent heat transfer and great durability.

Supplied in boxes of 10 units



REFERENCE

C360004

SPECIFICATIONS

Net weight 0,001 kg (0.00lb)

WEIGHT AND DIMENSIONS

1 gr (0.00 lb)

1 gr (0.00 lb)

60 x 35 x 35 mm

Copyright © 2024 JBC Soldering S.L. | [Legal Notice](#) | [Privacy Policy](#) | [Terms and Conditions](#) | [Cookie policy](#) | [Internal Communication](#) | [RSS Feed](#) | [JBC Store](#) | [Contact Us](#)

CONNECTABLES

Compatible tools



DS360-A

Micro Desoldering Iron