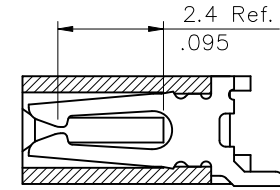
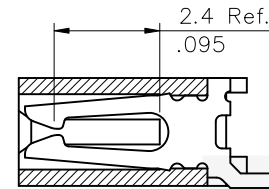


A-A SEC.

(Available in 4 through 8 circuits)

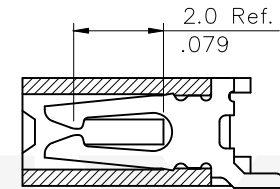


B-B SEC.

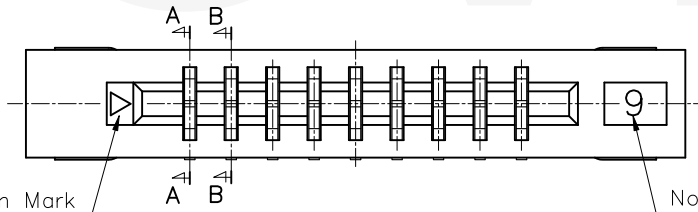


A-A SEC.

(Available in 9 through 32 circuits)

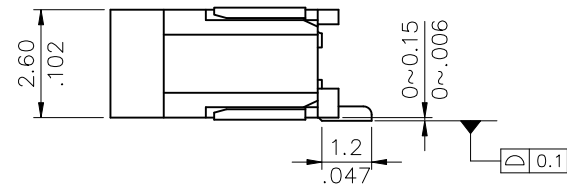


B-B SEC.



Base Pin Mark


No. of Circuits



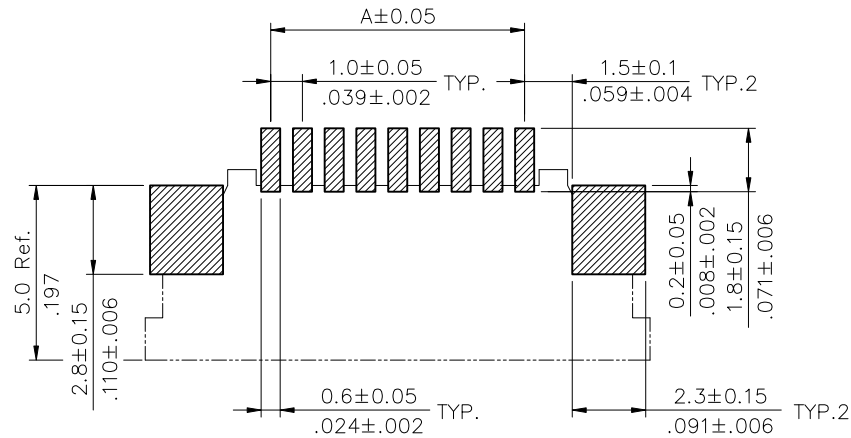
Halogen-Free

Lead Free Process

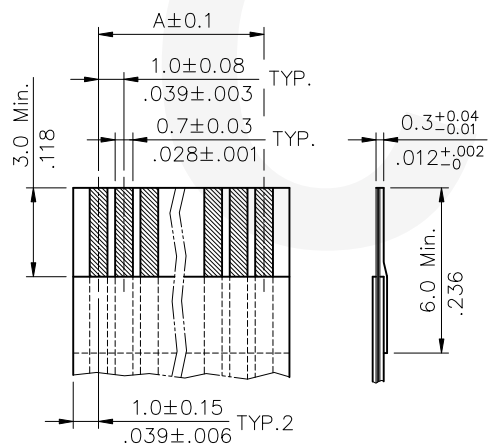
RoHS Compliant

4					DATE	UNIT: mm / inch	TITLE: 1.00mm(.039") LIF FPC/FFC SURFACE MOUNT CONNECTOR	 瀚荃股份有限公司 CviLux Corporation
3					DRAWN BY: Sandy	7/16-19'	TOLERANCE UNLESS OTHERWISE SPECIFIED	
2					ENGINEER: Sun	7/17-19'	MATERIAL:	
1	Sandy	7/16-19'	ECNT119181/ECRB119048		CHECKED BY: Eisley	7/19-19'	CUSTOMER: TCF0106	
SYM	NAME	DATE	REVISIONS		APPROVED BY: Eisley	7/19-19'	DRAWING NO. CF0844SB	PART NO. CF08**1H1*0-NH
							SCALE 5 / 1	SHEET 1 OF 3

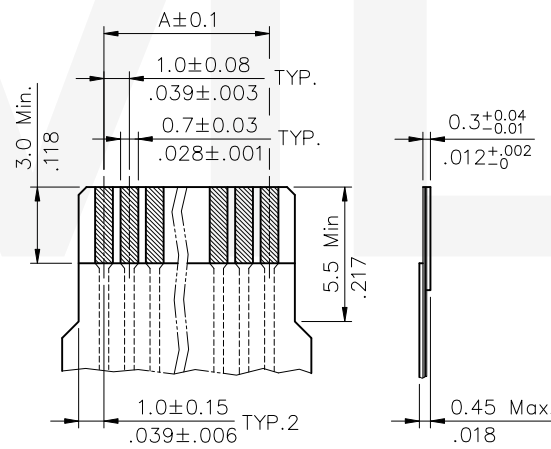




Sold Pad Pattern



Accommodated FFC



Accommodated FPC

Note:

- \* Body : High Temperature glass filled polyamide UL 94V-0
- \* Contact : Phosphor Bronze
- \* Fixed tab : Brass with Matte Tin plated
- \* For Lead Free IR Reflow Process

Ordering Code

CF08 \*\* 1 H 1 \* 0 -NH  
 ① ② ③ ④ ⑤ ⑥ ⑦ ⑧

- ① Series No.
- ② No. of Circuits
- ③ Plating code:  
1 = Matte Tin plated over Nickel
- ④ Contact style: H = Side entry
- ⑤ Color: 1 = Black
- ⑥ Packing options: R = Tape & Reel  
T = Tube packing
- ⑦ Other options: 0 = Standard
- ⑧ Process options:  
-NH = For Lead Free IR Process and Halogen-Free

A = 1.00 \* No. of Spaces

B = A + 8.0


C = A + 2.1

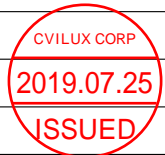
\* Available in 4 through 32 circuits

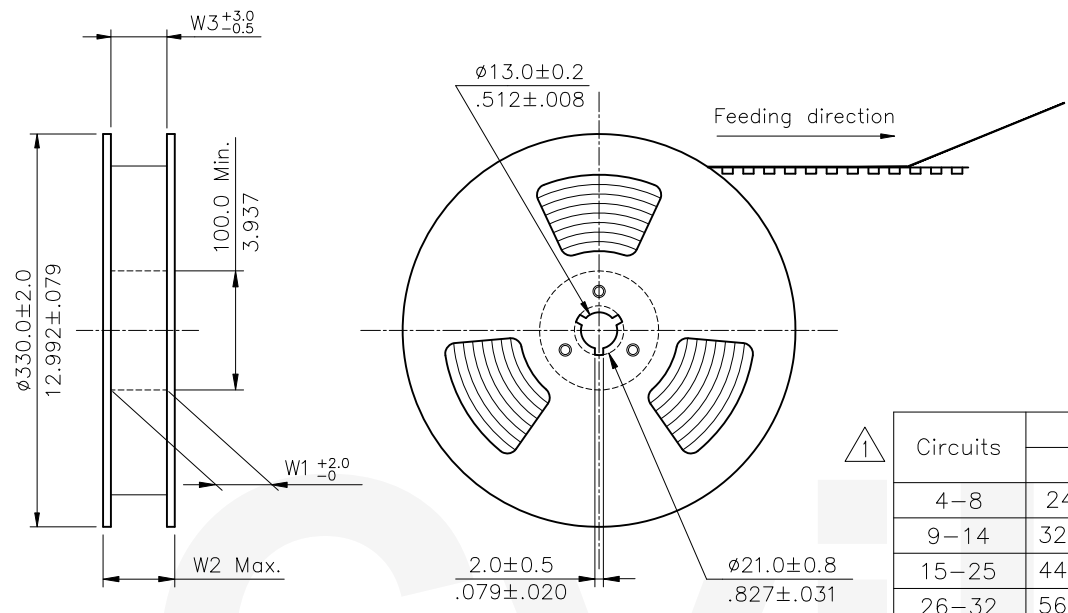
Lead Free Process

Halogen-Free

RoHS Compliant

④					DATE	UNIT: mm / inch	TITLE: 1.00mm(.039") LIF FPC/FFC SURFACE MOUNT CONNECTOR	 瀚荃股份有限公司 CviLux Corporation
③					DRAWN BY: Sandy	7/16-19'	MATERIAL:	
②					ENGINEER: Sun	7/17-19'		
①	Sandy	7/16-19'	ECNT119181/ECRB119048		CHECKED BY: Eisley	7/19-19'	CUSTOMER: TCF0106	
SYM	NAME	DATE	REVISIONS		APPROVED BY: Eisley	7/19-19'		DRAWING NO. CF0844SB
								PART NO. CF08**1H1*0-NH
								SCALE 5 / 1
								SHEET 2 OF 3

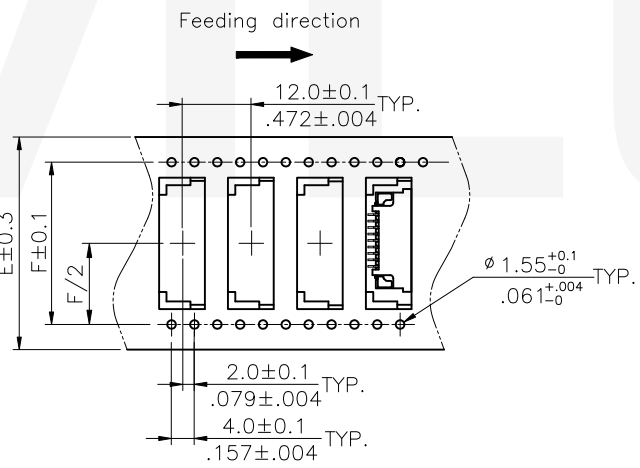
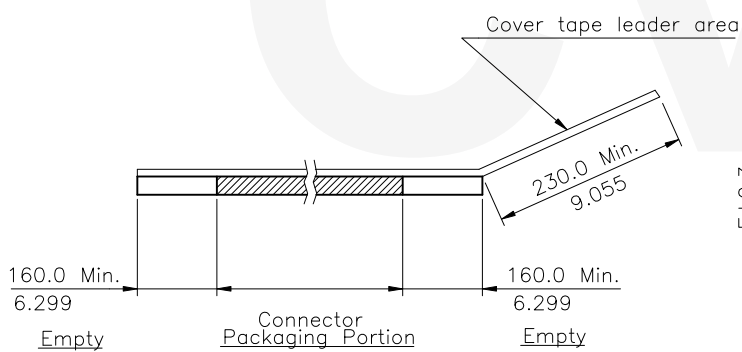




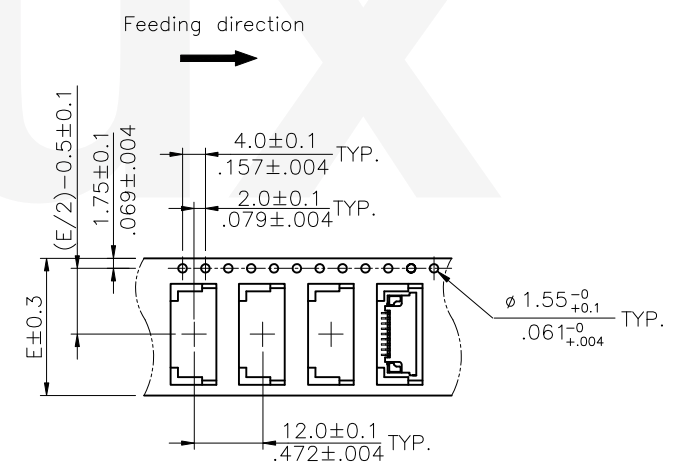
NOTE :

- \* Reel Material : HIPS or Corrugated Paper
- \* Carrier Material : Clear Conductive Polystyrene Alloy
- \* Cover Tape Material : Polyester
- \* Cover Tape Peel Strength : 0.1N – 1.3N
- \* Carrier camber is within 1mm in 100mm
- \* All dimensions meet EIA-481-2 & EIA-481-3 requirements.
- \* Quantity : 2000 PCS/Reel

Circuits	Dimension					Packing (Reel/Carton)
	E	F	W1	W2	W3	
4-8	24.0(.945)	-	24.5(.965)	30.5(1.201)	24.5(.965)	9
9-14	32.0(1.260)	28.40(1.118)	32.5(1.280)	38.5(1.516)	32.5(1.280)	7
15-25	44.0(1.732)	40.40(1.591)	44.5(1.752)	50.5(1.988)	44.5(1.752)	5
26-32	56.0(2.205)	52.40(2.063)	56.5(2.224)	62.5(2.460)	56.5(2.224)	4



WIDTH : 32,44,56 mm Carrier



WIDTH : 24 mm Carrier

RoHS Compliant

4					DATE	UNIT: mm / inch	TITLE: 1.00mm(.039") LIF FPC/FFC SURFACE MOUNT CONNECTOR	瀚荃股份有限公司 CviLux Corporation
3					DRAWN BY: Sandy	7/16-19'	MATERIAL:	
2					ENGINEER: Sun	7/17-19'		CUSTOMER: TCF0106
1	Sandy	7/16-19'	ECNT119181/ECRB119048		CHECKED BY: Eisley	7/19-19'	DRAWING NO. CF0844SB	
SYM	NAME	DATE	REVISIONS		APPROVED BY: Eisley	7/19-19'	SCALE	SHEET 3 OF 3