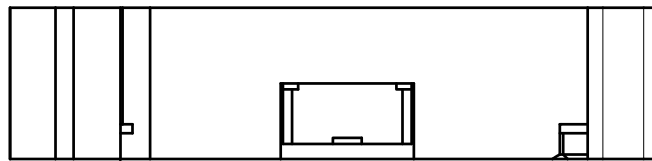
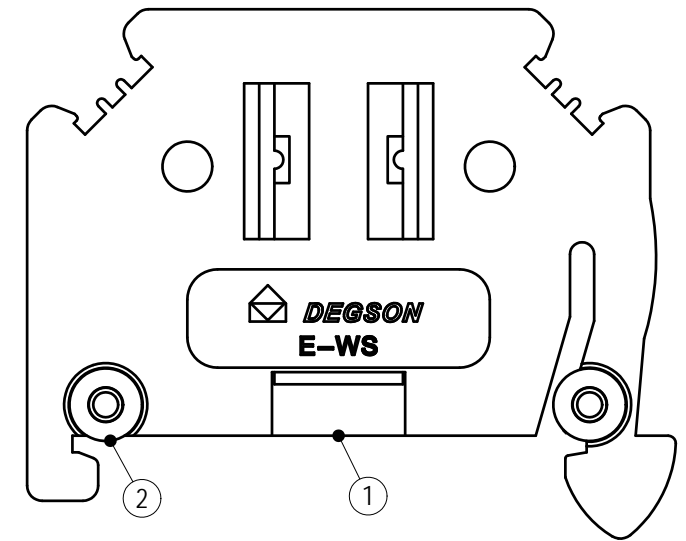
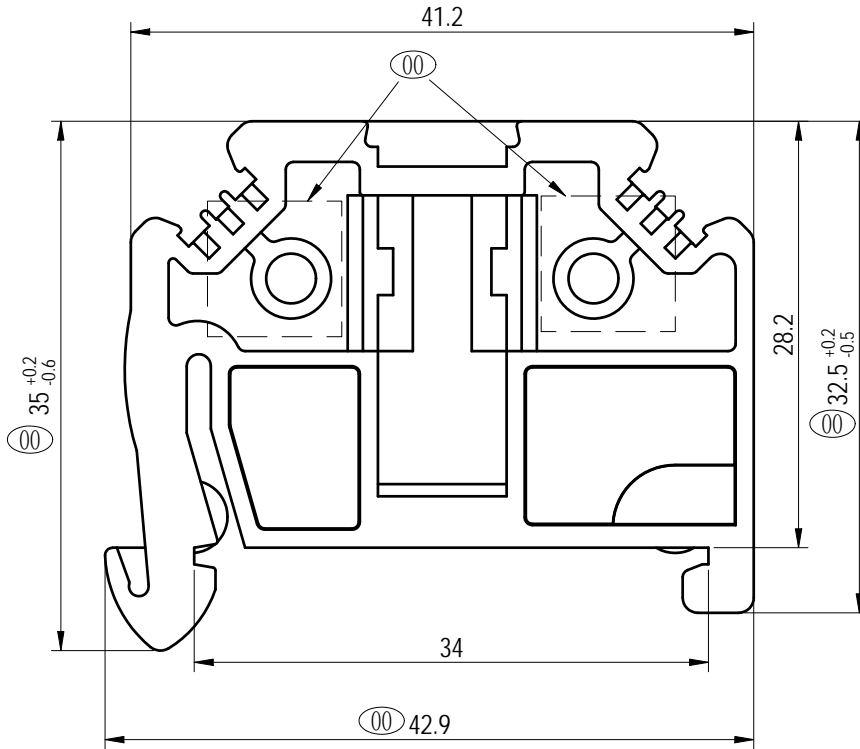
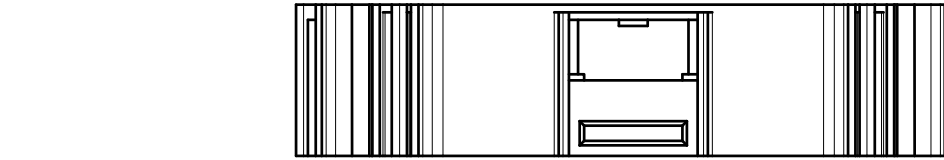


未注公差/General tolerances (mm)											0.1/10			
0 ~ 3	>3 ~ 6	>6 ~ 10	>10 ~ 18	>18 ~ 30	>30 ~ 50	>50 ~ 80	>80 ~ 120	>120 ~ 180	>180 ~ 250	>250 ~ 315		>315 ~ 400	>400 ~ 500	>500
±0.12	±0.18	±0.22	±0.26	±0.31	±0.37	±0.57	±0.80	±0.93	±1.05	±1.15	±1.60	±2.20	±2.50	±2'

Transfer or duplication of this document as well as the utilization or communication of its contents are prohibited unless approval is granted. Violations will be held for compensation. All rights reserved for patent, utility model or design registrations. 除专利等明确标注外，本文件的所有权、复制、引用、分发等文件的所有权、复制、引用、分发等文件的所有权均保留。 任何复制或分发行为均须事先获得许可。 否则，公司将保留追究法律责任的权利。



2	Shim	Stainless steel	/
1	Housing	PA66	UL94V-0
ITEM	NAME OF PART	MATERIAL	NOTES
间距/Pitch(mm)/线数范围/Poles			10.0/01P
使用温度范围/Operating temperature(°C)			-40~+105
符合RoHS环保要求/Conform to RoHS			Yes

		MATERIAL:	SURFACE/COLOR:		
		MAT NO./REV:	MAT STATUS: 批量		
APPD: 李根芳	2021.03.28	NAME			
CHKD: 马恩开	2021.03.28	E-WS-01P-1Y-00Z(H)			
DRFT: 郑启国	2021.03.28				
DRAWING NO. 200256472		TYPE CUSTOMER DRAWING	DRAWING STATUS work	SCALE 2:1	SHEET 1/1

REV	ECN	DESCRIPTION	DRFT	DATE
00	20210096	Structural changes	郑启国	2021.03.28