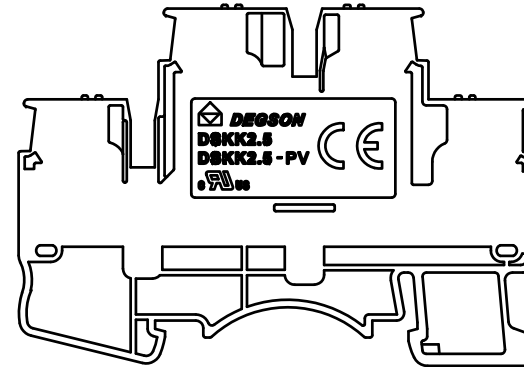
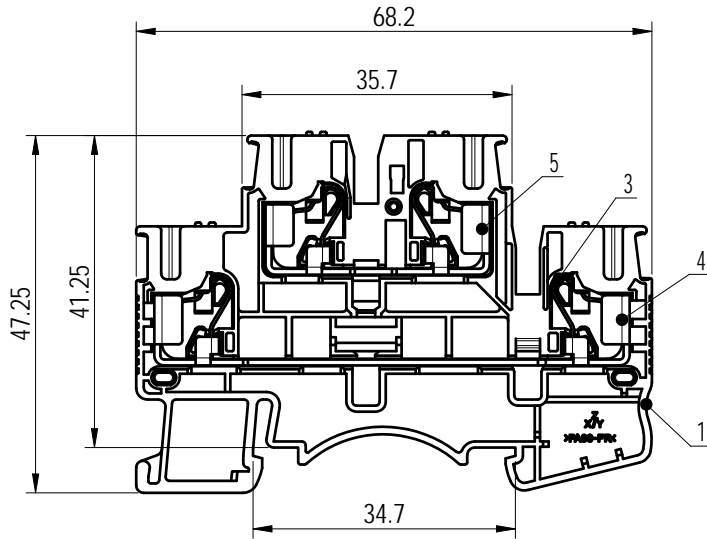
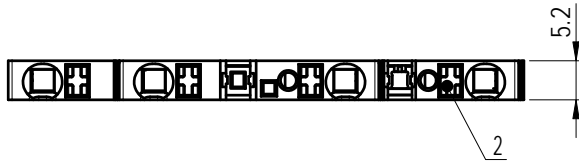


Transfer or duplication of this document as well as the utilization or communication of its contents are prohibited unless authorized in advance. Weights and dimensions are for reference only. All rights reserved for patent. 除专利注明限制外，否则禁止译法、复制、引用、发布等文件的传播。产品设计及发布，未经本公司许可，不得复制或传播。

未注公差/General tolerances (mm)														
0	>3	>6	>10	>18	>30	>50	>80	>120	>180	>250	>315	>400	>500	0.1/10 ±2'
~3	~6	~10	~18	~30	~50	~80	~120	~180	~250	~315	~400	~500		
±0.12	±0.18	±0.22	±0.26	±0.31	±0.37	±0.57	±0.80	±0.93	±1.05	±1.15	±1.60	±2.20	±2.50	

UL 标准/UL Standard:	B	C	D
额定电压/电流/Rated Voltage(V)/Current(A)	300/20	300/20	300/10
IEC 标准/IEC Standard:			
过压类别/Overvoltage Category/污染等级/Pollution Degree	III/3	III/2	II/2
额定电压/电流/Rated Voltage(V)/Current(A)	500/22	/	/
额定脉冲电压(KV)/Rate Impulse Voltage(KV)	6	/	/
线径范围(硬线和软线)/Wire Range(rigid and flexible)(mm ² /AWG)	0.2~2.5&4(sol)/26~12		
线数范围/Poles	N=01P		
剥线长度/Stripping length(mm)	11~12		
使用温度范围/Operating temperature(°C)	-40~+105		
符合RoHS环保要求/Conform to RoHS	Yes		



5	Current carrier 2	Copper	Sn Plated
4	Current carrier 1	Copper	Sn Plated
3	Spring	Stainless steel	/
2	Button	PA66+GF%	UL94V-0
1	Housing	PA66	UL94V-0
ITEM	NAME OF PART	MATERIAL	NOTES

			MATERIAL: /	SURFACE/COLOR: /		
			MAT NO./REV: /	MAT STATUS: /		
APPD: Li GL	2022.06.14	NAME				
CHKD: Ma EK	2022.06.14	DSKK2.5-01P-1Y-00A(H)				
DRFT: Zheng QG	2022.06.14	DRAWING NO.	TYPE	DRAWING STATUS	SCALE	SHEET
		/	CUSTOMER DRAWING	/	1:1	1/1

00	/	/	Zheng QG	2022.06.14
REV	ECN	DESCRIPTION	DRFT	DATE