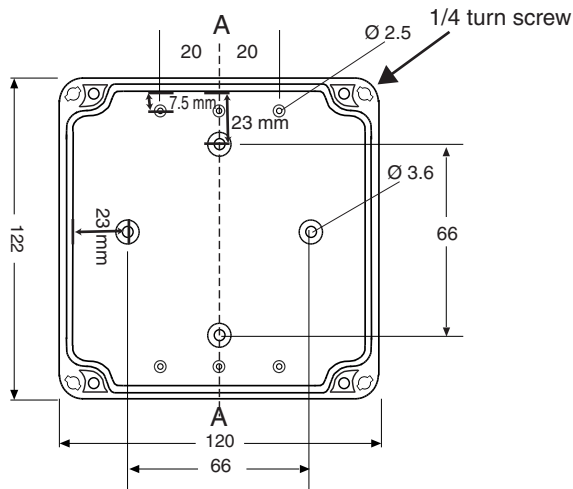
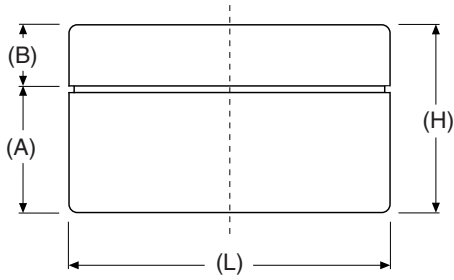
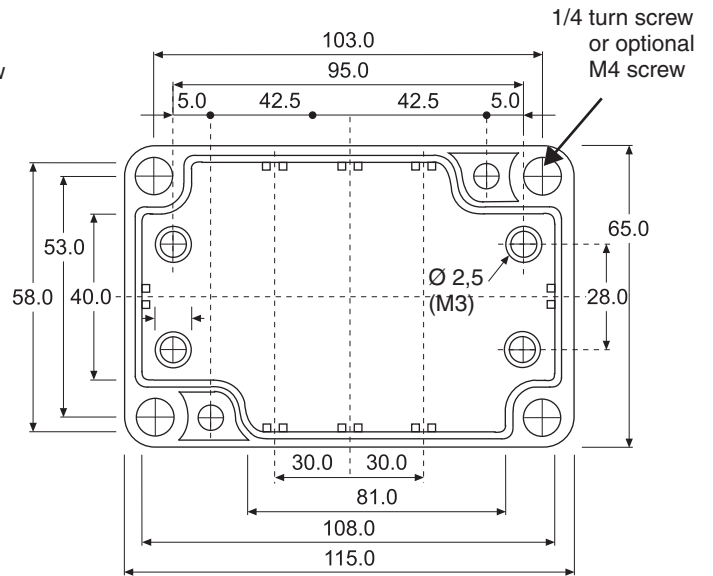
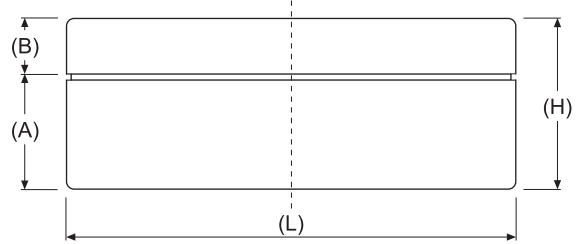


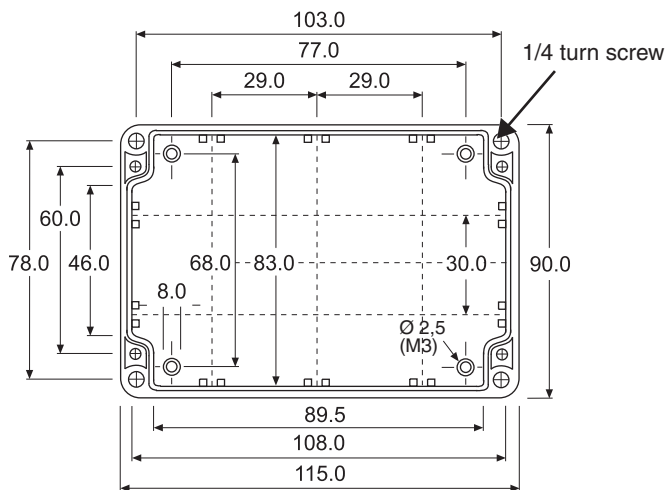
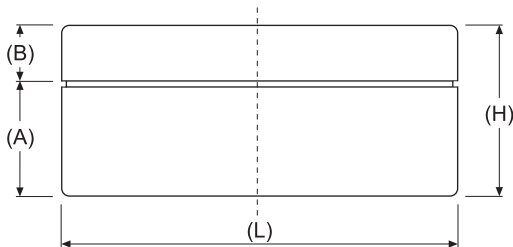
## TYPE 220 + 222



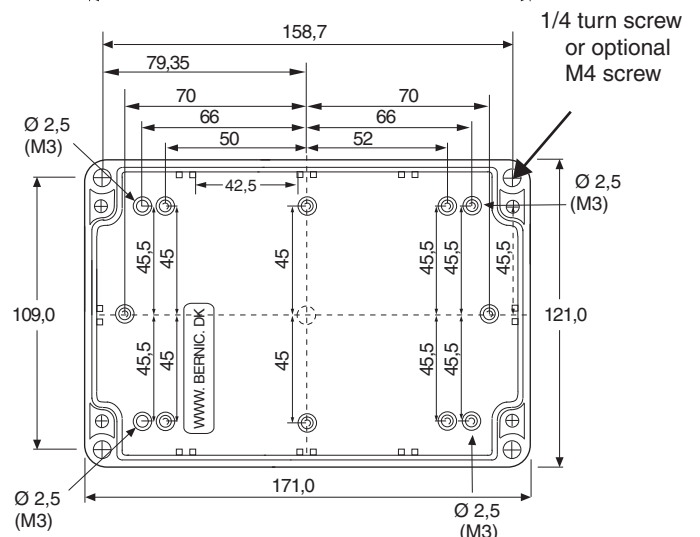
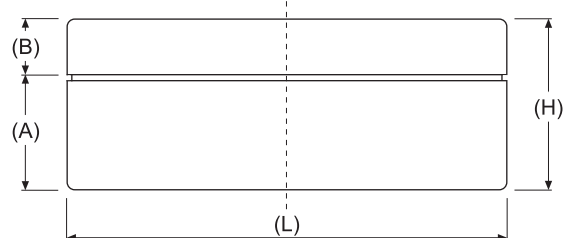
## TYPE 203



## TYPE 212



## TYPE 214



For all types: Spacers can on order be placed and fitted with M3 brass inserts according to customers wishes

● All measurements are in mm.

Technical drawings not shown here are available on: [www.bernic.dk](http://www.bernic.dk)

Type	External Dimensions				
	L = Length	W = Width	H = Height	A	B
203 ECO	115	65	40	25	15
212 ECO	115	90	55	40	15
214 ECO	171	121	55	40	15
218 ECO	222	146	55	40	15
220 ECO	120	122	55	40	15
222 ECO	120	122	100	40	60
230 ECO	240	120	100	75	25
258 ECO	160	80	55	40	15
269 ECO	200	120	75	60	15
214 EURO	171	121	58	40	18
218 EURO	222	146	58	40	18
258 EURO	160	80	58	40	18