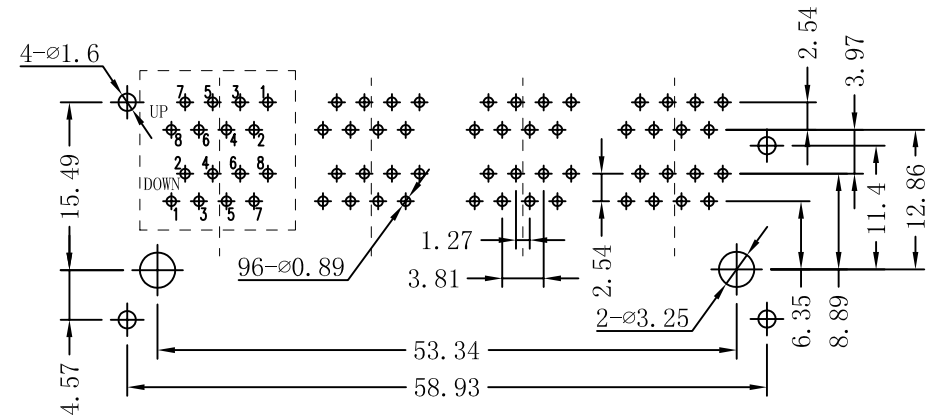
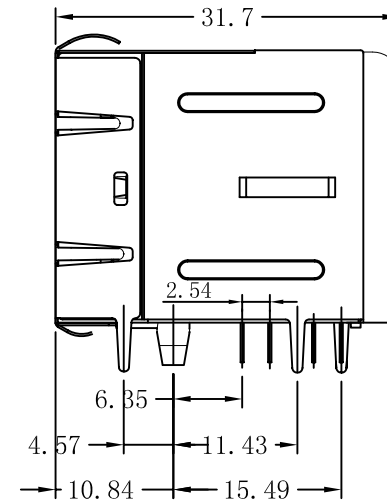
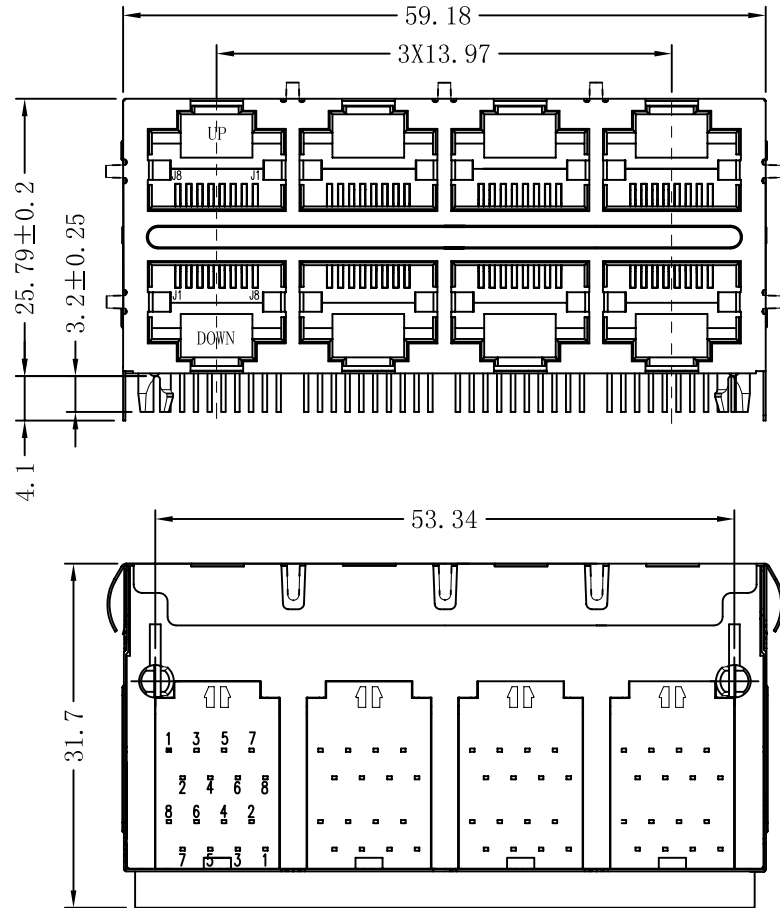


# Mechanical:

REV.	ECN NO.	DESCRIPTION	DATE	APPD
A	REL		27/01/2010	



SUGGESTED PCB LAYOUT (TOP VIEW)

## NOTES:

1. Designed to support application, such as SOHO (ADSL modems), LAN-on-Motherboard (LOM), hub and Switches.
2. Meets IEEE 802.3 specification
3. Connector Materials:  
Housing: Thermoplastic UL94V-0  
Contact/Shield: Copper alloy  
Shield plating: Nickel  
Contact plating: Gold 6 micro-inches min. In contact area.
4. Wave solder tip temperature: 265°C Max  
Wave solder tip temperature time: 5 Sec Max

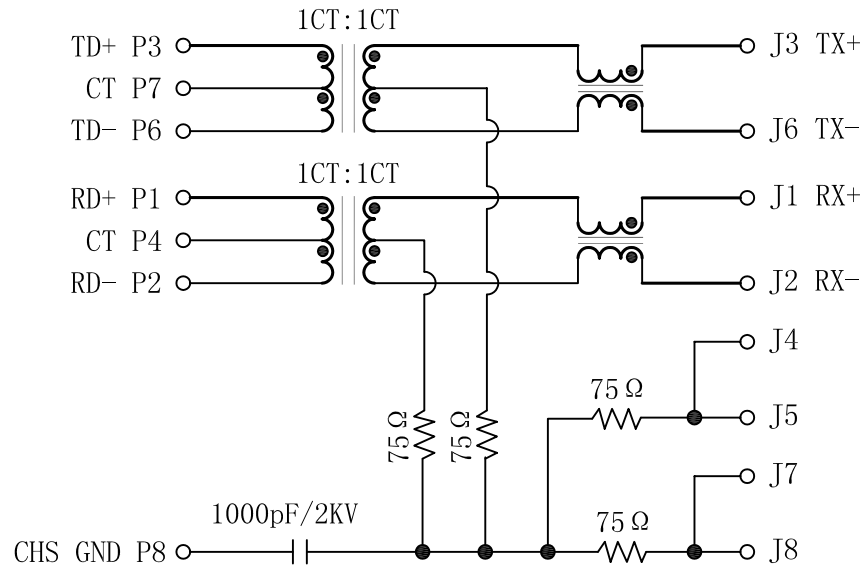


X:X	±0.20	APPD:	LINK-PP INT'L TECHNOLOGY CO., LIMITED
X:XX	±0.10	CHKD:	
X:XXX	±0.05	DR: TOM	TITLE: RJ45 10/100 Base-T Transformer 2X4
ANGLES	±1°	UNIT: mm	PART NO.: LPJ47212CNL
	SCALE: 2/1	SHEET: 1/2	REV: A
			DWG NO.: LP10012705

# Schematic:

REV.	ECN NO.	DESCRIPTION	DATE	APPD
A	REL		27/01/2010	

PCB SIDE TO PHY



CABLE SIDE

## Electrical Specifications @25°C

- Turns Ratio ( $\pm 3\%$ ):  
TX=1CT:1CT      RX=1CT:1CT
- Inductance (@ 100KHz, 0.1V, 8mA DC BIAS):  
350uH MIN
- Insertion Loss:  
1-65MHz: -1.0dB MAX
- Return Loss ( $100\ \Omega \pm 15\ \Omega$ ):  
1-10MHz: -20dB MIN  
10-30MHz: -16dB MIN  
30-60MHz: -12dB MIN  
60-80MHz: -12dB MIN
- Crosstalk:  
1-30MHz: -40dB MIN  
30-60MHz: -35dB MIN  
60-100MHz: -30dB MIN
- Common Mode Rejection:  
1-50MHz: -30dB MIN  
50-150MHz: -20dB MIN
- HI-POT (Isolation Voltage): 1500Vrms MIN
- Operating Temperature: 0~70°C.



X:X	$\pm 0.20$	APPD:	LINK-PP INT'L TECHNOLOGY CO., LIMITED	
X:XX	$\pm 0.10$	CHKD:	TITLE: RJ45 10/100 Base-T Transformer 2X4	
X:XXX	$\pm 0.05$	DR: TOM	PART NO.: LPJ47212CNL	
ANGLES	$\pm 1^\circ$	UNIT: mm		
	SCALE: 2/1	SHEET: 2/2	REV: A	DWG NO.: LP10012705