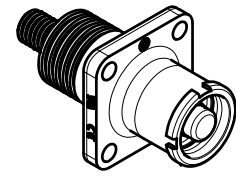
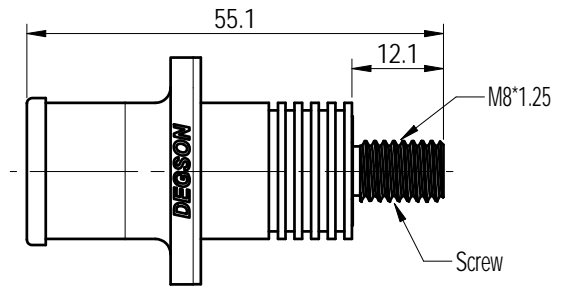
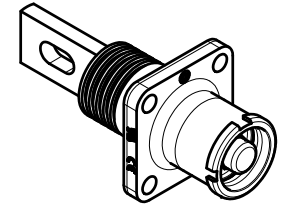
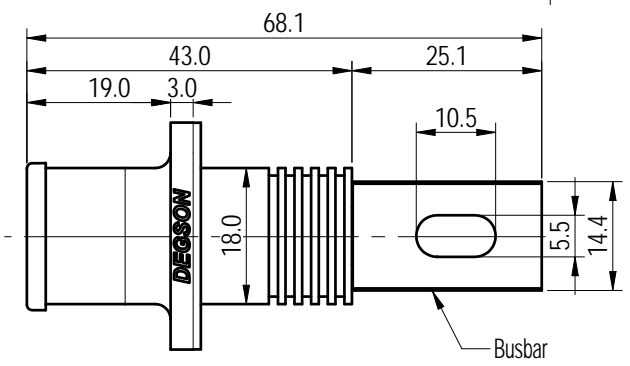
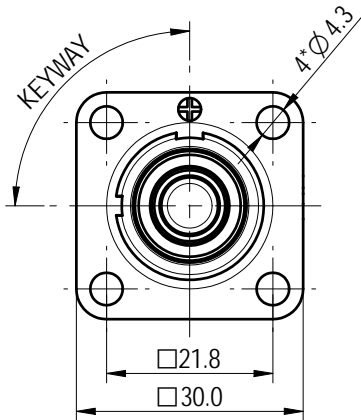


Transfer or duplication of this document as well as the utilization or communication of its content are prohibited unless authorized in writing by Degson. All rights reserved for patent. 除专利声明外，其他任何内容的复制或传播均须经 Degson 公司书面许可。未经授权，不得复制或传播任何内容。 Degson 公司保留所有权利。

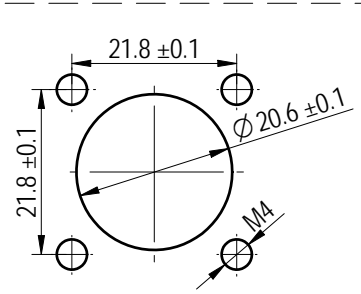
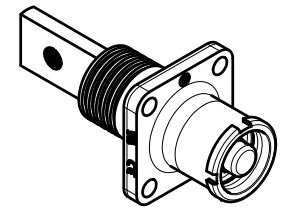
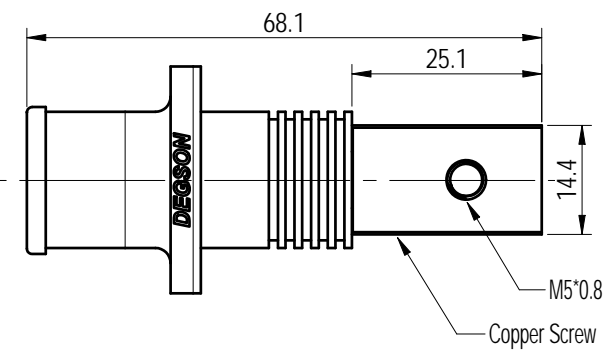
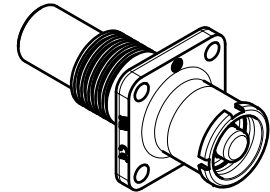
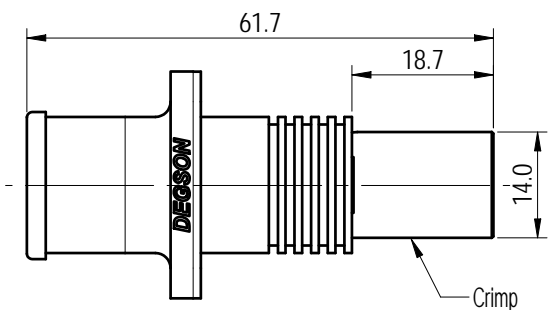
Dimensional tolerance(mm)				
0	>30	>60	>100	>150
~30	~60	~100	~150	>150
±0.25	±0.35	±0.55	±0.80	±1.10

额定电压/Rated Voltage	1500V DC/200A
绝缘电阻/Insulate Resistance	≥5000MΩ 1000V DC 1min
接触电阻/Contact Resistance	≤0.5mΩ
插拔次数/Mechanical working life(mating cycles)	>100
使用温度范围/Operating temperature(° C)	-40~+125(including temperature rise)
防护等级/Ingress Protection	IP67 (Mated)
符合RoHS环保要求/Conform to RoHS	Yes



ESS-200A-50-X-XX-XX

- KEYWAY: 90:90° 正极
18:180° 负极
- COLOR: BK: BLACK 负极
OR: ORANGE 正极
RD: RED 正极
- CONTACT TERMINATION: B: Busbar
S: Screw
C: Crimp
B/S: Copper Screw
- WIRE RANGE: 50mm²
- CURRENT: 200A



Recommended Panel Cut-Out

图纸版本	ECN	变更描述	设计人	设计日期
REV	ECN	DESCRIPTION	DRFT	DATE

		MATERIAL:	SURFACE/COLOR:		
APPD:		MAT NO./REV:	MAT STATUS:		
CHKD:		NAME			
DRFT: Chen C		ESS-200A-50-X-XX-XX			
DATE: 2022.09.29		DRAWING NO.	TYPE	DRAWING STATUS	SHEET
A4		CUSTOMER DRAWING		SCALE	1/1
(inch)				1:1	