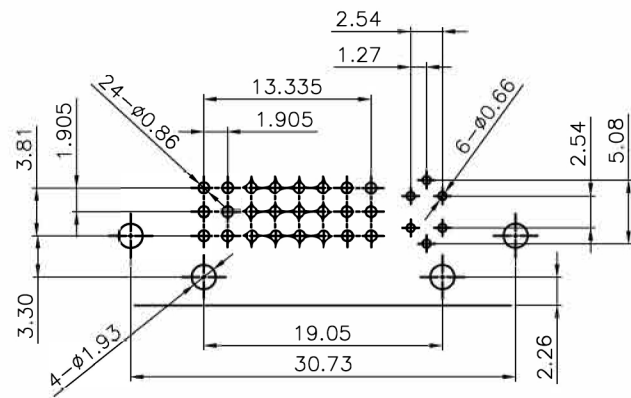
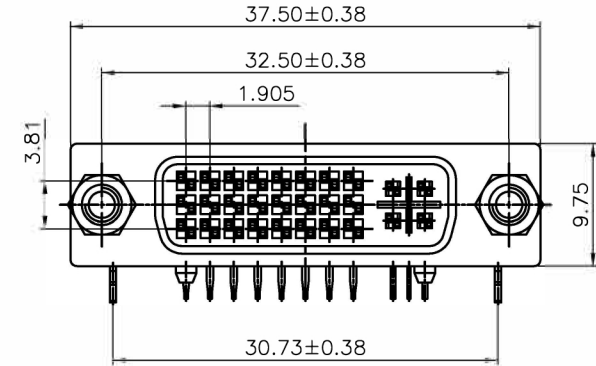
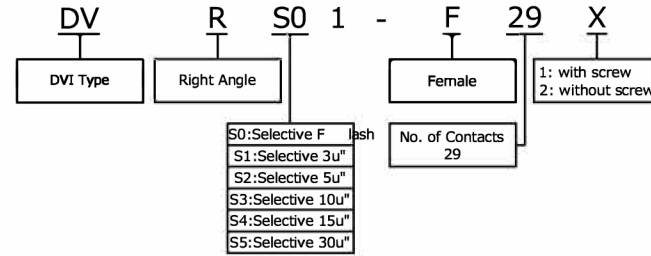


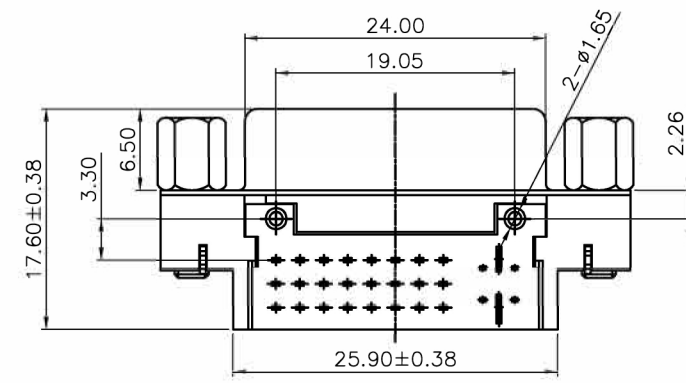
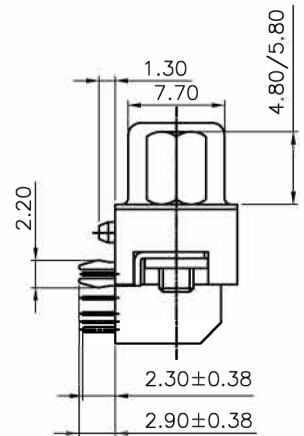
SPECIFICATIONS

Current Rating: 1.5Amps
 Voltage Rating: 40V
 Contact Resistance: 20m Ω Max
 Insulation Resistance: 1000M Ω Min
 Withstanding Voltage: 500V DC
 Temperature Range: -55°C to +85°C
 Contacts : Brass
 Insulator: PBT, UL94V-0, White
 Shell: SPCC, Nickel plated
 Board Lock: SPCC, Tin plated
 Rivet: Copper Alloy, Nickel plated

ORDER INFORMATION



PCB LAYOUT



PART NO.	DVRS01-F29X	DRAWN	Andrew		
	DRAWING NO.		DVRS01-F29X	CHECKED	Claudia
	DATE		2018/06/11		APPROVED

TITLE:	DVI Right Angle Type 29pin	REV.	A0	TOLERANCE	.X ±0.25 .XX ±0.20	SCALE	1:1	UNIT	mm	NO.		DESCRIPTION		DATE
--------	----------------------------	------	----	-----------	-----------------------	-------	-----	------	----	-----	--	-------------	--	------