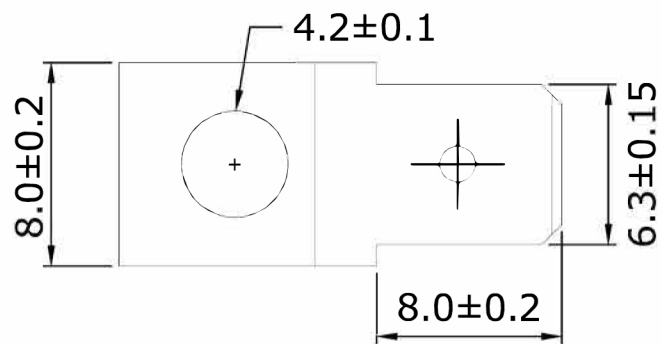
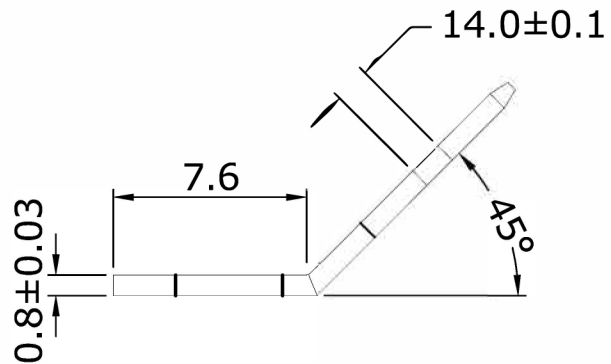


NOTE:

Material: Brass
Plating: Nickel plated
Packing: 5,000pcs/bag



PART NO.	PCT-2504	DRAWN	Andrew
DRAWING NO.	PCT-2504	CHECKED	Claudia
DATE	2022/01/05	APPROVED	Brian

TITLE:	PCB TERMINAL	REV.	A0	TOLERANCE	.X ± 0.25 .XX ± 0.20	SCALE	1:1	UNIT	mm
--------	--------------	------	----	-----------	---------------------------------	-------	-----	------	----