

SPECIFICATION

Current Rating: 1.5A AC, DC
 Voltage Rating: 30V AC/DC
 Contact Resistance: 30m Ω Max
 Insulation Resistance: 1000M Ω Min
 Withstanding Voltage: 750V AC for 1 minute
 Temperature Range: -25°C to +105°C
 Insertion Force: 35N Max
 Extraction Force: 10N Min
 Durability: 1,500 cycles Min

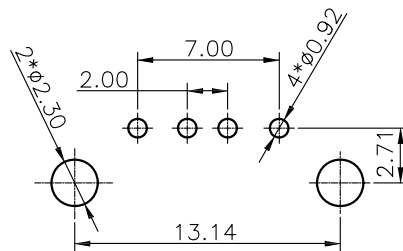
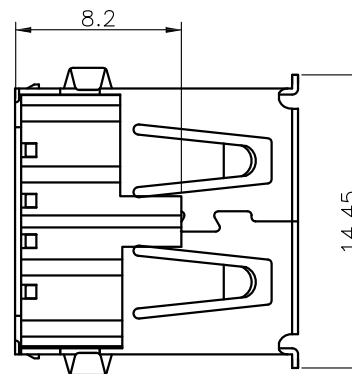
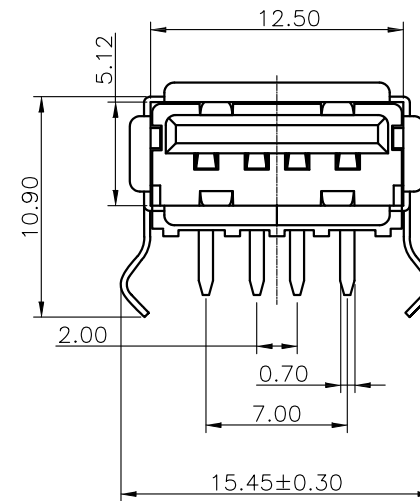
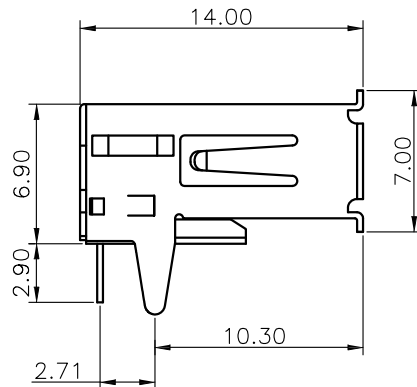
MATERIALS

Terminal: Brass, Gold plated on contact area;
 Tin on solder tails.
 Housing: PBT, UL94V-0
 Shell: SPCC or Copper Alloy

ORDER INFORMATION

USBA XX X - F04RD

USB A type	B: Black W: White
S0: Gold flash on contact and 100u" MIN Tin on solder tails	
S4: Gold 15u" on contact and 100u" MIN Tin on solder tails	
S5: Gold 30u" on contact and 100u" MIN Tin on solder tails	



P.C.B LAYOUT

TITLE: USB A type R/A DIP		PART NO.		USBAXXX-F04RD		DRAWN		Andrew		Updated drawing		2020/9/18			
		DRAWING NO.		USBAXXX-F04RD		CHECKED		Claudia							
		DATE		2014/04/04		APPROVED		Brian							
REV. A0		TOLERANCE		.X ±0.25 .XX ±0.20		SCALE		1:1		UNIT		mm			
										NO.		DESCRIPTION		DATE	