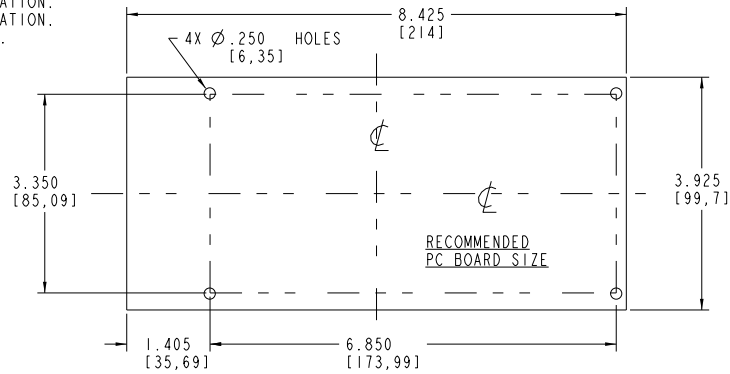


4X ASSEMBLY SCREWS
P/N 60227-13

- NOTES:
① EXTERIOR INSERT AREA, FOR IN MOLD MODIFICATION.
② INTERIOR INSERT AREA, FOR IN MOLD MODIFICATION.
③ END INSERT AREA, FOR IN MOLD MODIFICATION.



PACINTEC®
1-610-361-4200

HPLS-48

VISIT **PACINTEC®**
ON THE WORLD WIDE WEB
www.pacintecenclosures.com

COLOR / MATERIAL CODE		
COLOR	94HB	94VO
BLACK	000	028
P.C.BONE	039	060

DRAWING NUMBER	REV
73379	B