

SPECIFICATIONS:

Current Rating: 2.0A AC, DC
 Voltage Rating: 125V AC, DC
 Contact Resistance: 20m Ω Max.
 Insulation Resistance: 1000M Ω Min.
 Withstanding Voltage: 500 VAC for 1min.
 Temperature Range: -25°C to +85°C

MATERIAL:

Insulator: NY66, UL94V-0, White

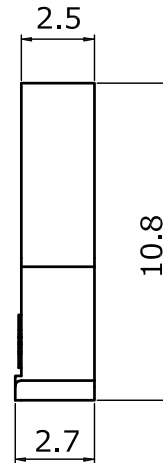
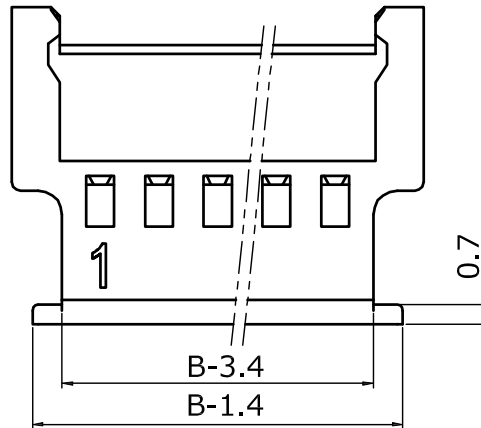
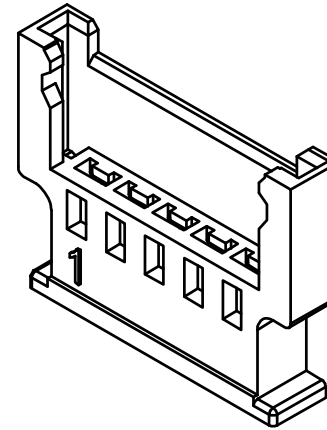
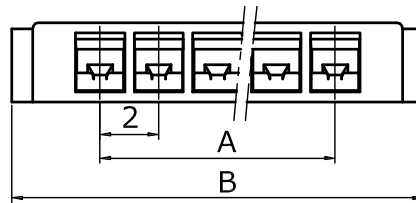
ORDER INFORMATION

H 2003 MA - XX

Series No.

No. of Contacts

No. of Contact	Dimensions	
	A	B
2	2.00	8.0
3	4.00	10.0
4	6.00	12.0
5	8.00	14.0
6	10.00	16.0
7	12.00	18.0
8	14.00	20.0
9	16.00	22.0
10	18.00	24.0
11	20.00	26.0
12	22.00	28.0
13	24.00	30.0
14	26.00	32.0
15	28.00	34.0
16	30.00	36.0



		PART NO.	H2003MA-XX		DRAWN	Andrew			
		DRAWING NO.	H2003MA-XX		CHECKED	Claudia			
		DATE	2019/03/29		APPROVED	Brian			
TITLE:	2.0mm Pitch Housing	REV.	A0	TOLERANCE	.X ±0.25 .XX ±0.20	SCALE	1:1	UNIT	mm