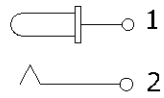
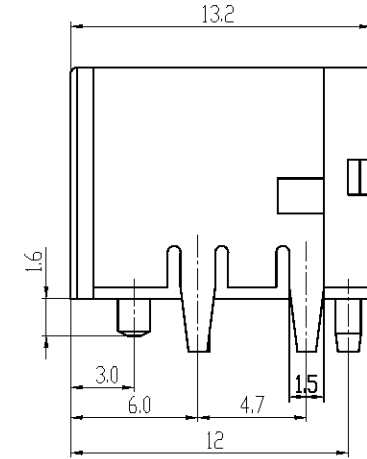
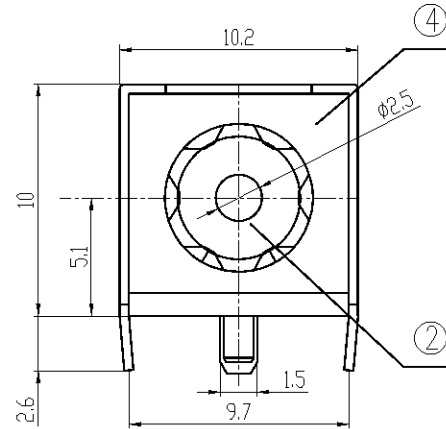


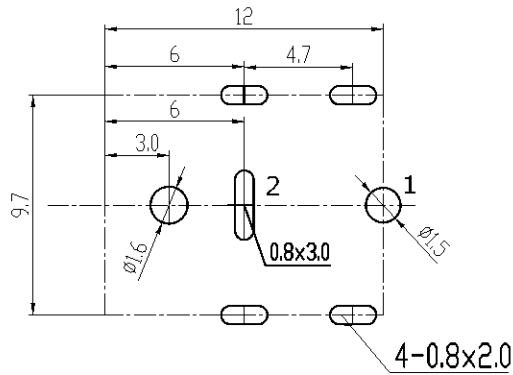
# MATERIAL

1. Housing: PA66, UL94V-0, Black
2. Pin: Brass, tin plated
3. Terminal: Phosphor Bronze, t=0.3, silver plated
4. Cover: SPCC, t=0.2, tin plated
5. Shell: SPCC, t=0.4, nickel plated

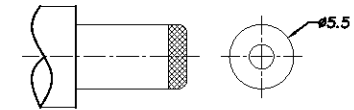
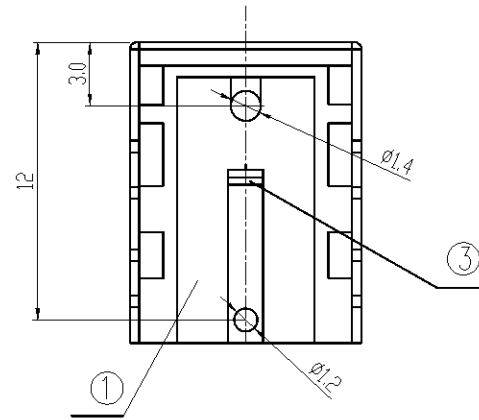
PART NO.	CENTER PIN
DJ105-1.65	Ø1.65
DJ105-2.0	Ø2.0
DJ105-2.5	Ø2.5



SCHEMATIC



P.C.B LAYOUT



DC MATE PLUG

		PART NO.	DJ105-XX		DRAWN	Andrew	
		DRAWING NO.	DJ105-XX		CHECKED	Claudia	
		DATE	2023/09/26		APPROVED	Brian	
TITLE:	DC POWER JACK	REV.	A0	TOLERANCE	.X ±0.25 .XX ±0.20	SCALE	1:1
					UNIT	mm	