

JBC C120011

Chisel Bent Cartridge Ø 0.6

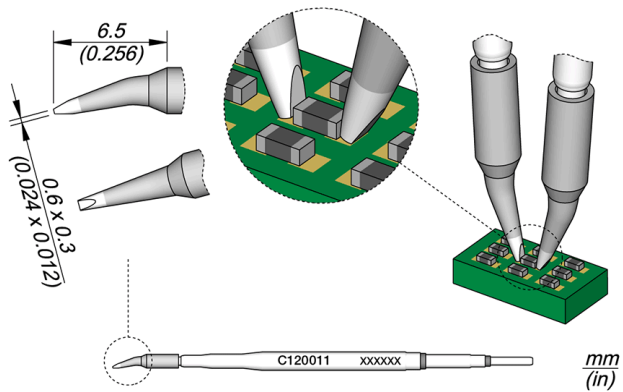
C120 cartridges are appropriate for soldering and desoldering chip components or dual in line easily, reducing handling time.

They work with Micro Tweezers which enables to align the cartridges according to the user needs.

JBC Long Life Tips offer instant heat up, excellent heat transfer and great durability.

They last 5 times longer than other brands thanks to the JBC Most Efficient Soldering System and the Sleep & Hibernation features.

Cartridges are sold individually



REFERENCE

C120011

PRODUCT COMPOSITION

1 [Instruction Manual](#)

Copyright © 2024 JBC Soldering S.L. | [Legal Notice](#) | [Privacy Policy](#) | [Terms and Conditions](#) | [Cookie policy](#) | [Internal Communication](#) | [RSS Feed](#) | [JBC Store](#) | [Contact Us](#)

SPECIFICATIONS

Net weight 0,002 kg (0.00lb)

WEIGHT AND DIMENSIONS

2 gr (0.00 lb)

15 gr (0.03 lb)

110 x 12 x 12 mm

CONNECTABLES

Compatible tools



PA120-A

Micro Tweezers



AM120-A

Adjustable Micro Tweezers