

AMY-45-ZOOM

Infinitely adjustable beam from 20 to 50 degrees.

SPECIFICATION:

Dimensions	Ø 45.0 mm
Height	11.9 mm
Fastening	screw
ROHS compliant	yes ⓘ

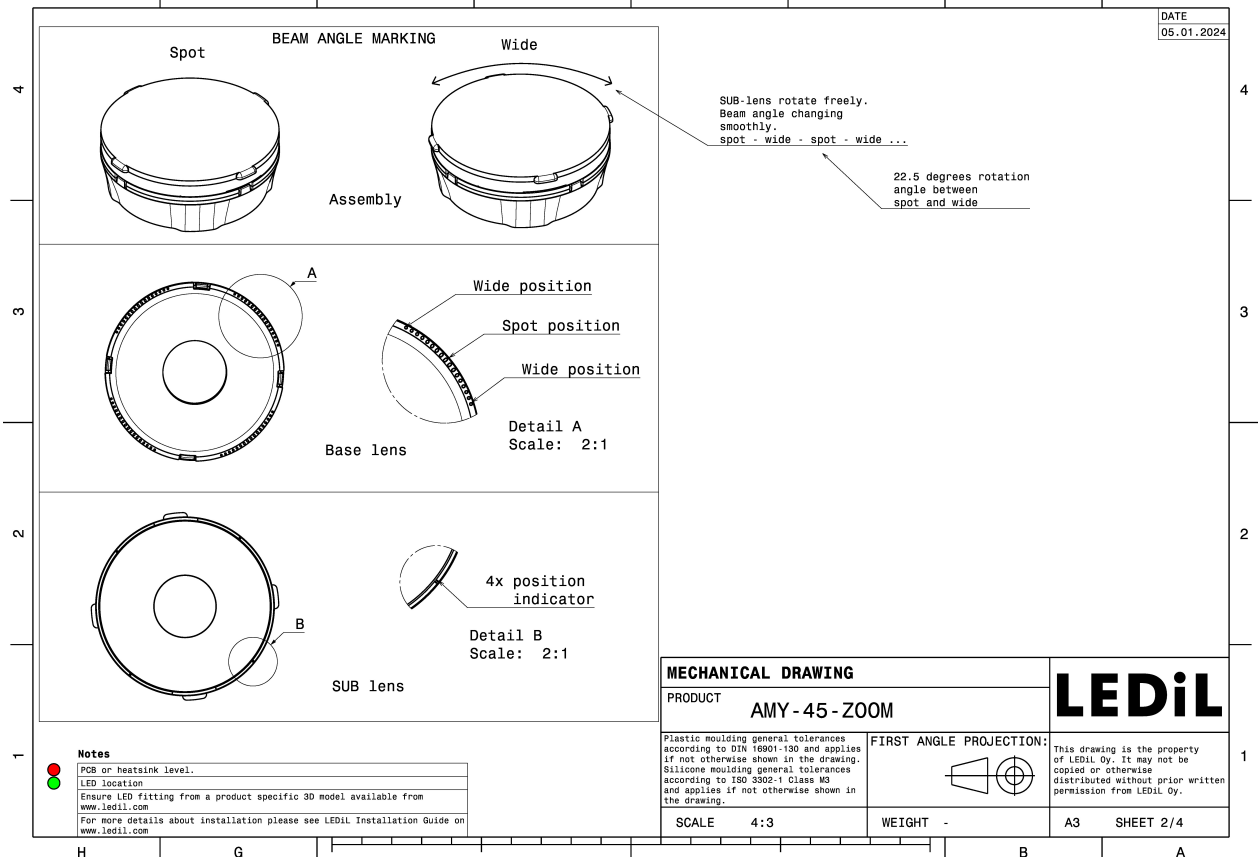
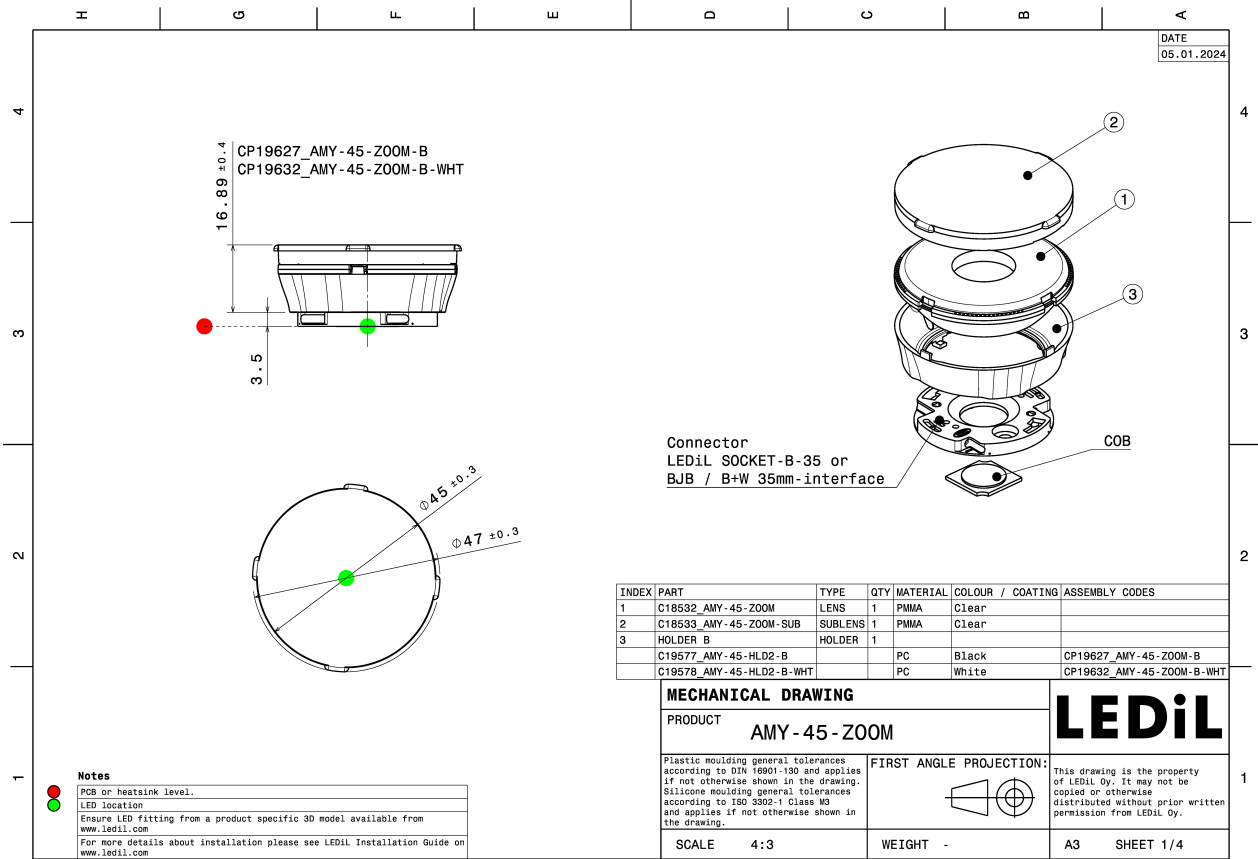


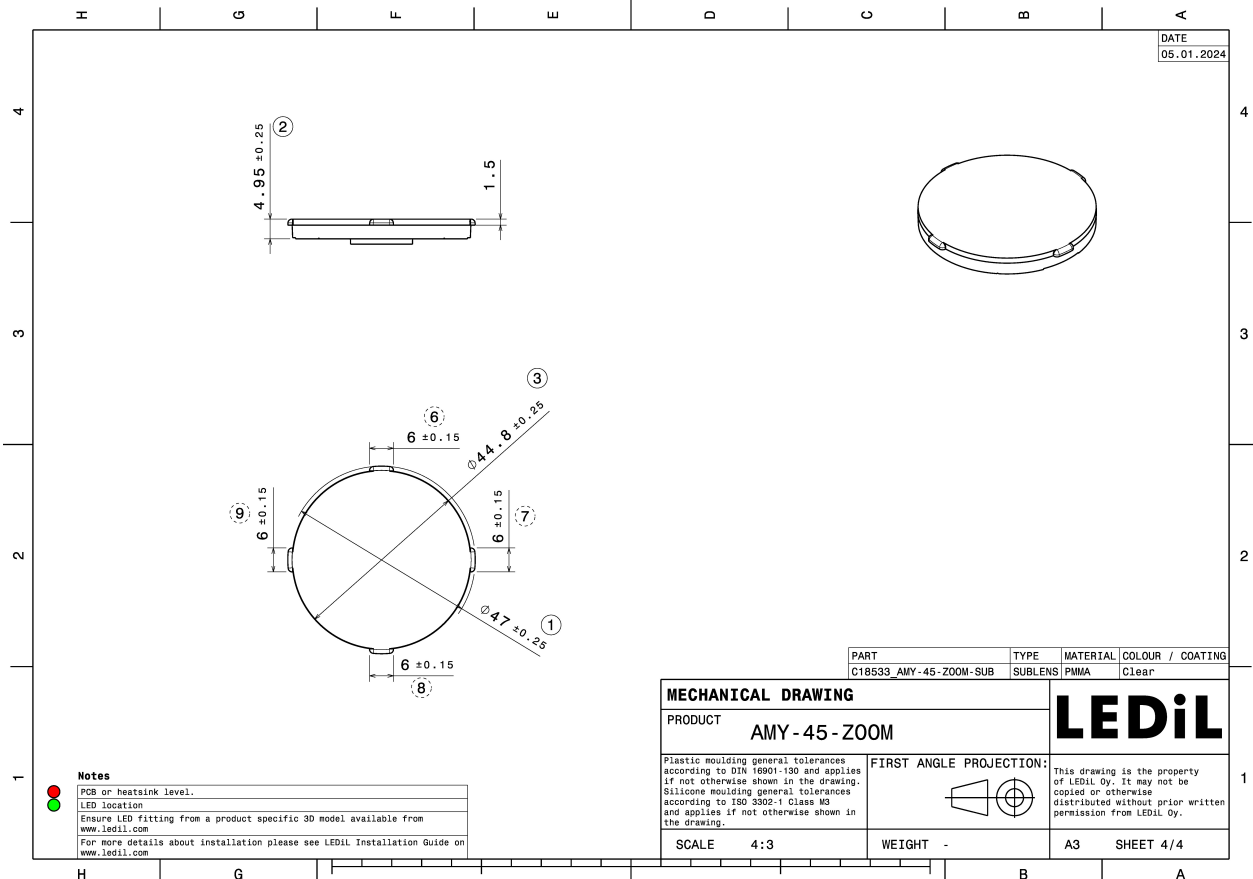
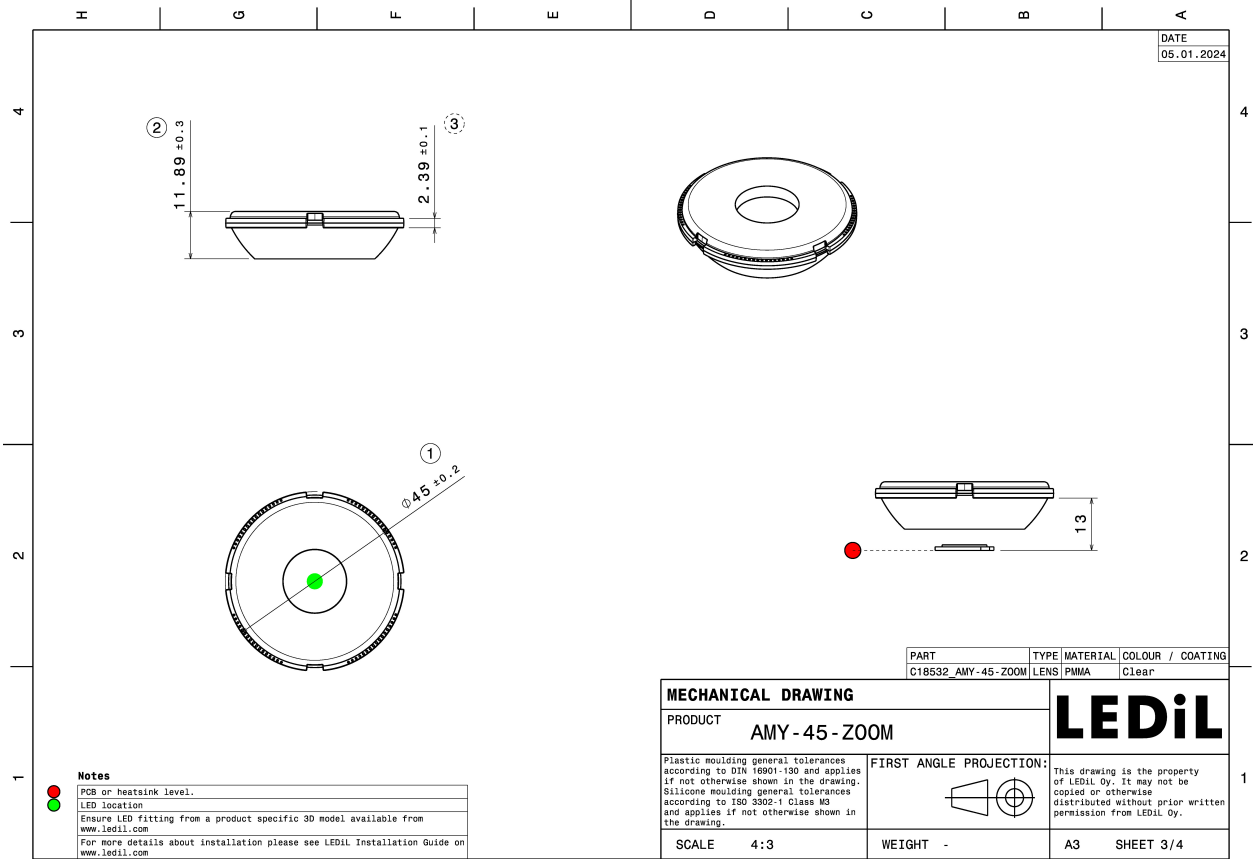
MATERIALS:

Component	Type	Material	Colour	Finish	Length (mm)
AMY-45-ZOOM	Single lens	PMMA	clear		
AMY-45-ZOOM-SUB	Sublens	PMMA	clear		

ORDERING INFORMATION:

Component	Qty in box	MOQ	MPQ	Box weight (kg)
C18532_AMY-45-ZOOM	1035	180	45	12.1
C18533_AMY-45-ZOOM-SUB	1035	180	45	7.2
Assembly				
CP19632_AMY-45-ZOOM-B-WHT	765	180	45	11.5
CP19627_AMY-45-ZOOM-B	765	180	45	11.5



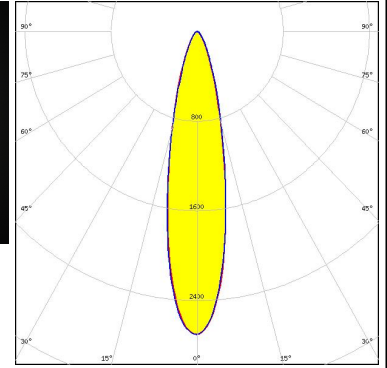


See also our general installation guide: www.ledil.com/installation_guide

OPTICAL RESULTS (MEASURED):

CITIZEN

LED CLL02x/CLU02x (LES10)
Ordering code C18532_AMY-45-ZOOM
FWHM / FWTM 23.0 + 52.0° / 50.0 + 88.0°
Efficiency 73 %
Peak intensity 2.7 cd/lm
LEDs/each optic 1
Light colour/type White
Required components:
F17435_HEKLA-G2-C
C18533_AMY-45-ZOOM-SUB

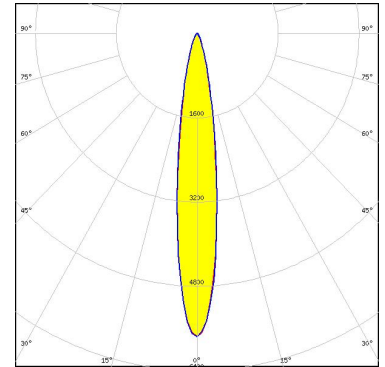


Light distribution files

OPTICAL RESULTS (SIMULATED):

CITIZEN

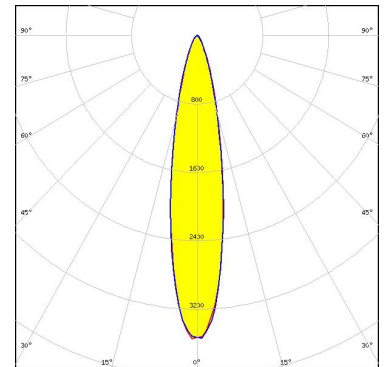
LED CLU700/701/702/703
Ordering code C18532_AMY-45-ZOOM
FWHM / FWTM 16.0 + 51.0° / 36.0 + 82.0°
Efficiency 80 %
Peak intensity 5.8 cd/lm
LEDs/each optic 1
Light colour/type White
Required components:
F17435_HEKLA-G2-C
C18533_AMY-45-ZOOM-SUB



Light distribution files

SAMSUNG

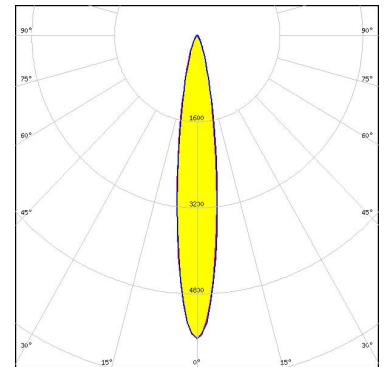
LED LC003D / LC006D / LC009D / LC013D
Ordering code C18532_AMY-45-ZOOM
FWHM / FWTM 21.0 + 51.0° / 45.0 + 86.0°
Efficiency 78 %
Peak intensity 3.6 cd/lm
LEDs/each optic 1
Light colour/type White
Required components:
F17435_HEKLA-G2-C
C18533_AMY-45-ZOOM-SUB



Light distribution files

SAMSUNG

LED LC010C
Ordering code CN18534_AMY-45-ZOOM
FWHM / FWTM 15.7 + 50.6° / 36.5 + 83.0°
Efficiency 81 %
Peak intensity 5.6 cd/lm
LEDs/each optic 1
Light colour/type White
Required components:
F17435_HEKLA-G2-C



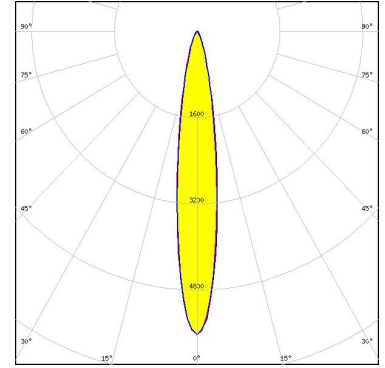
Light distribution files

OPTICAL RESULTS (SIMULATED):

SAMSUNG

LED	LC010C
Ordering code	C18532_AMY-45-ZOOM
FWHM / FWTM	16.0 + 51.0° / 37.0 + 83.0°
Efficiency	81 %
Peak intensity	5.6 cd/lm
LEDs/each optic	1
Light colour/type	White
Required components:	
F17435_HEKLA-G2-C	
C18533_AMY-45-ZOOM-SUB	

Light distribution files



GENERAL INFORMATION:

NOTE: The typical beam angle will be changed by different color, chip size and chip position tolerance. The typical total beam angle is the full angle measured where the luminous intensity is half of the peak value.

Due to use of high power COB's with this product, special attention to proper thermal design is highly recommended. LEDiL has no liability for direct, indirect or consecutive damages arising from the LEDiL products being used outside of the recommended temperature range.

MATERIALS:

As part of our continuous research and improvement processes, and to ensure the best possible quality and availability of our products, LEDiL reserves the right to change material grades without notice.

PRODUCT DATA USER AGREEMENT AND DISCLAIMER:

The measured data in the provided downloadable LEDiL Product Datasheets and Mechanical 2D-Drawings is rounded and provided as reference for planning. LEDiL Oy's optical specifications have been verified by conducting performance testing of the products in accordance with the company's quality system. The reported data are averaged results of multiple measurements with typical variation. LEDiL Oy reserves the right to without prior notification make changes and improvements to its products.

LEDiL Oy assumes neither warranty, nor guarantee nor any other liability of any kind for the contents and correctness of the provided data. The provided data has been generated with highest diligence but the provided data may in reality not represent the complete possible variation range of all intrinsic parameters. Therefore, in certain cases a deviation from the provided data could occur.

LEDiL Oy reserves the right to undertake technical changes of its products without further notification which could lead to changes in the provided data. LEDiL Oy assumes no liability of any kind for the possible deviation from any provided data or any other damage resulting from the usage of the provided data.

The user agrees to this disclaimer and user agreement with the download or usage of the provided files.

LEDiL Oy

Joensuunkatu 13
FI-24240 SALO
Finland

LEDiL Inc.

228 West Page Street
Suite D
Sycamore IL 60178
USA

Ledil Optics Technology (Shenzhen) Co., Ltd.

405 , Block B
Casic Motor Building
Shenzhen 518057
P.R.CHINA

Local sales and technical support

[www.ledil.com/
where_to_buy](http://www.ledil.com/where_to_buy)

Shipping locations

Poznan, Poland
Hong Kong, China

Distribution Partners

[www.ledil.com/
where_to_buy](http://www.ledil.com/where_to_buy)