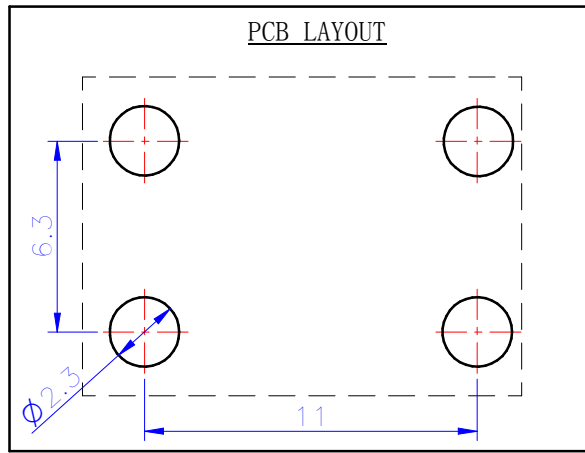
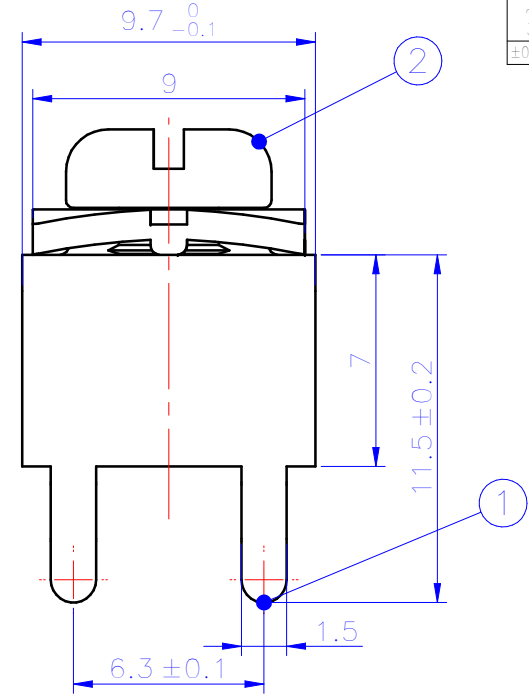
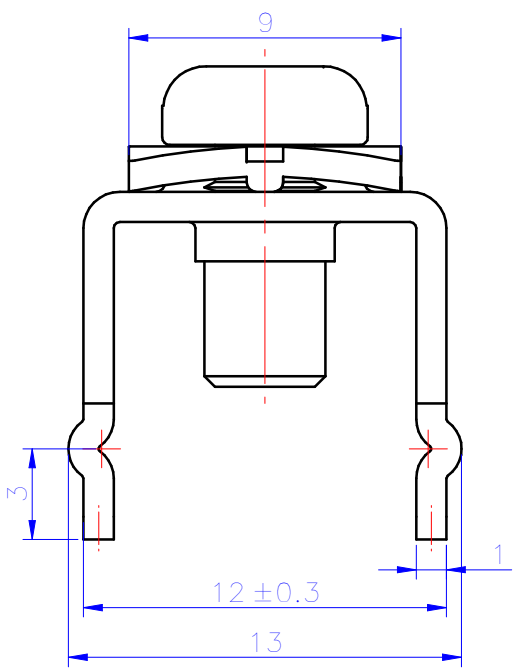


Transfer or duplication of this document as well as the utilization or communication of its contents are prohibited unless authorized in writing. All rights reserved for patent, utility model or designs registrations. 非经书面明确授权，否则禁止转让、复制、利用、交流本文件的内容。 未经授权不得复制或传播本文件的所有权利。

未注公差/General tolerances(mm)											0.1/10		
0 ~ 3	>3 ~ 6	>6 ~ 10	>10 ~ 18	>18 ~ 30	>30 ~ 50	>50 ~ 80	>80 ~ 120	>120 ~ 180	>180 ~ 250	>250 ~ 315		>315 ~ 400	>400 ~ 500
±0.12	±0.18	±0.22	±0.26	±0.31	±0.37	±0.57	±0.80	±0.93	±1.05	±1.15	±1.60	±2.20	±2.50



ITEM	NAME OF PART	MATERIAL	NOTES
2	Screw	Steel	M4/Ni Plated
1	Pin Header	Copper alloy	Sn Plated

额定电流/Rated Current(A)	15
螺丝扭矩/Torque Tightening(N·m/Lb.in)	M4: 1.2/10.7
线径范围(硬线)/Wire Range(AWG)	18~14
符合 RoHS 环保要求/Conform to RoHS	Yes

DEGSON		MATERIAL: /	SURFACE: /	
APPD: /		MAT NO./REV: 10900000010-1 / 00		MAT STATUS: 批量
CHKD: /		NAME		
DRFT: 陈博侃		2022-7-14		
DRAWING NO. 200011486		TYPE CUSTOMER DRAWING		DRAWING STATUS /
SCALE 2:1		SHEET 1/1		

REV	ECN	DESCRIPTION	DRFT	DATE
00	/	/	陈博侃	2022-7-14