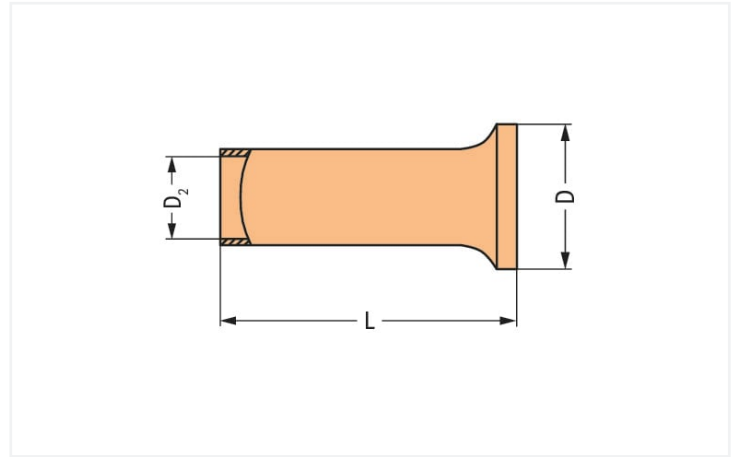




Similar to illustration



Dimensions in mm

**Technical data**

Sleeve cross-section (AWG)	14 AWG
Sleeve for	2.5 mm <sup>2</sup>

**Connection data**

Strip length	8 mm / 0.31 inches
--------------	--------------------

**Physical data**

Length	8 mm
--------	------

**Material data**

Fire load	0 MJ
Weight	0.1 g

**Commercial data**

ETIM 8.0	EC000005
ETIM 7.0	EC000005
PU (SPU)	5000 (1000) pcs
Packaging type	Box
Country of origin	DE
GTIN	4045454996628
Customs tariff number	85369010000

### Environmental Product Compliance

RoHS Compliance Status

Compliant, No Exemption

### Downloads

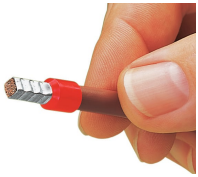
#### Environmental Product Compliance

##### Compliance Search

Environmental Product  
Compliance 216-105



### Installation Notes



A perfect gas-tight crimp – both electrical-ly and mechanically reliable