

Customer Information Sheet

DRAWING No.: M80-413XX98

SHEET 2 OF 2

IF IN DOUBT - ASK

©

NOT TO SCALE

THIRD ANGLE PROJECTION

ALL DIMENSIONS IN mm

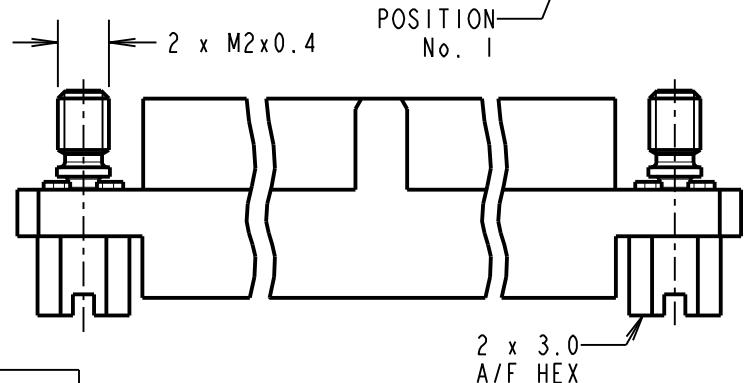
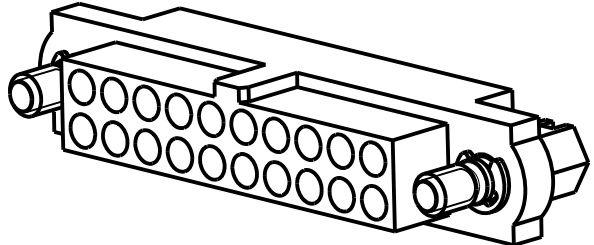
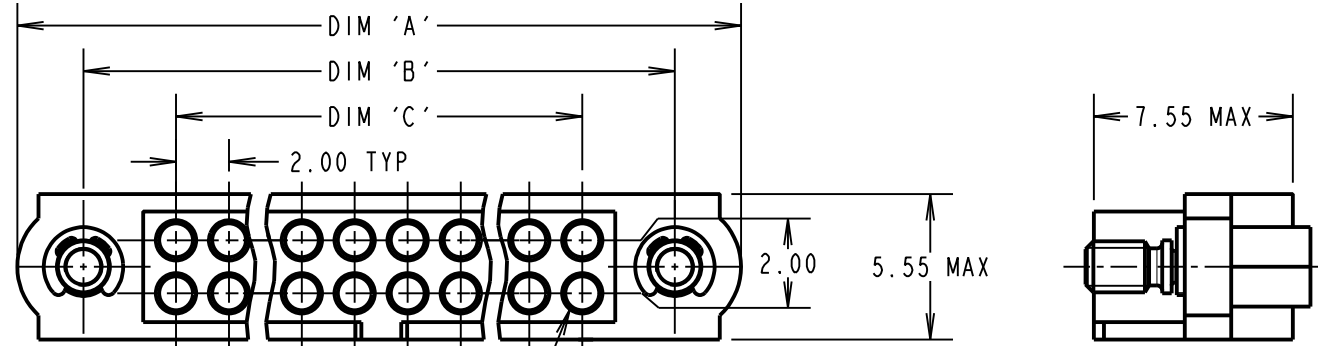
SPECIFICATIONS:

MATERIAL:
 MOULDING = GLASS-FILLED PPS, UL94V-0, BLACK

ENVIRONMENTAL:
 TEMPERATURE RANGE = -55°C TO +125°C

PACKING:
 BAG

FOR COMPLETE SPECIFICATION, SEE COMPONENT SPECIFICATION C005XX (LATEST ISSUE)



ORDER CODE:
M80-413XX98

TOTAL No. OF POSITIONS _____
 04 TO 50
 (EVEN NUMBERS ONLY)

DIMENSION	CACULATION
DIM 'A'	TOTAL No. OF POSITIONS + 10
DIM 'B'	TOTAL No. OF POSITIONS + 5
DIM 'C'	TOTAL No. OF POSITIONS - 2

EXAMPLE: M80-4132098, HOUSING WITH 20 POSITIONS AND FIXINGS

DIM 'A' = 30.00mm, DIM 'B' = 25.00mm
 DIM 'C' = 18.00mm

NOTES:
 1. HOUSING TO BE USED WITH M80-2060005 CONTACTS
 2. FOR ASSEMBLY INSTRUCTIONS, SEE IS-25.

MSP	1	10.04.17	-----
NAME	ISS.	DATE	C/NOTE
APPROVED:		M.PERREN	
CHECKED:		S.FLOWER	
DRAWN:		M.PERREN	
CUSTOMER REF.:			
ASSEMBLY DRG:			



www.harwin.com
 technical@harwin.com

THIS DRAWING AND ANY INFORMATION OR DESCRIPTIVE MATTER SET OUT HEREON ARE CONFIDENTIAL AND COPYRIGHT PROPERTY OF THE HARWIN GROUP AND MUST NOT BE DISCLOSED, LOANED, COPIED OR USED FOR MANUFACTURING, TENDERING OR FOR ANY OTHER PURPOSE WITHOUT THEIR WRITTEN PERMISSION.

TOLERANCES
 X. = ±1mm
 X.X = ±0.50mm
 X.XX = ±0.10mm
 X.XXX = ±0.01mm
 ANGLES = ±5°
 UNLESS STATED

MATERIAL:
 SEE ABOVE

FINISH: SEE ABOVE

S/AREA: mm²

TITLE: FEMALE T-CONTACT J-TEK CRIMP HOUSING WITH HEX SLOT JACKSCREW

DRAWING NUMBER:
M80-413XX98

SHT
 2 OF 2