

### SPECIFICATIONS

Current Rating: 12A AC, DC  
 Voltage Rating: 300V AC, DC  
 Contact Resistance: 10m Ω Max  
 Insulation Resistance: 1000M Ω Min  
 Withstanding Voltage: 1500V AC for 1 minute  
 Temperature Range: -25°C to +85°C  
 Material: NY66, UL94V-0, Natural

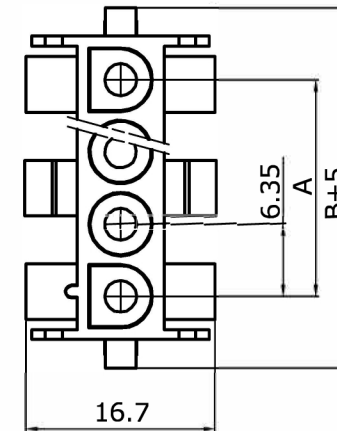
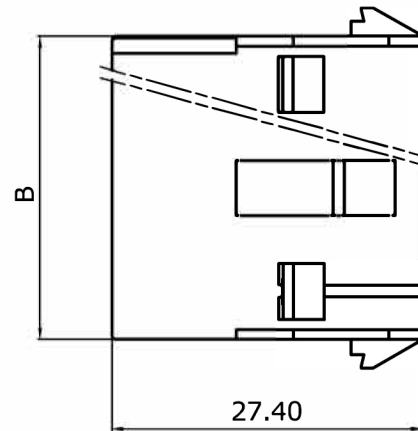
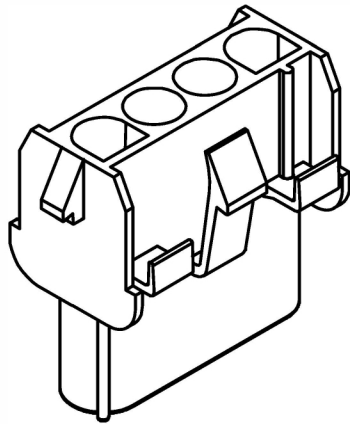
### ORDER INFORMATION

H 6350M - 1XX

Series No.

No. of Contacts

No. of Contacts	Dimensions	
	A	B
2	6.35	14.00
3	12.70	20.35
4	19.05	26.70
5	25.40	33.05



MCT

PART NO.	H6350M-1XX	DRAWN	Andrew
DRAWING NO.	H6350M-1XX	CHECKED	Claudia
DATE	2018/12/07	APPROVED	Brian

TITLE:	6.35mm Pitch Housing	REV.	A0	TOLERANCE	.X ±0.25 .XX ±0.20	SCALE	1:1	UNIT	mm
--------	----------------------	------	----	-----------	-----------------------	-------	-----	------	----