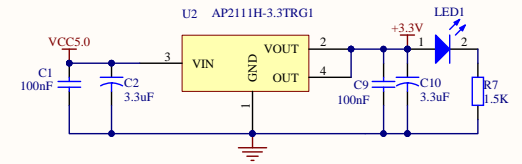
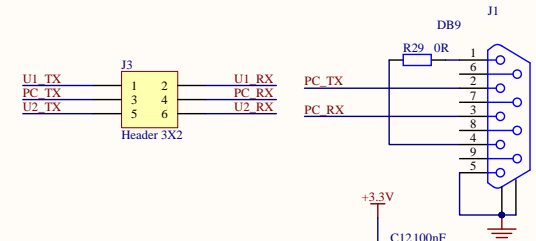


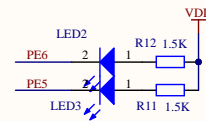
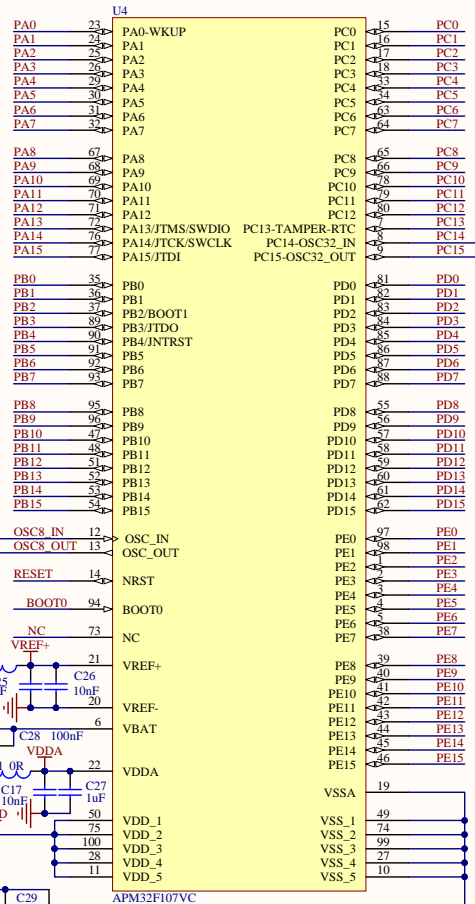
BOOT



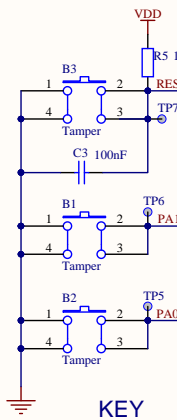
POWER



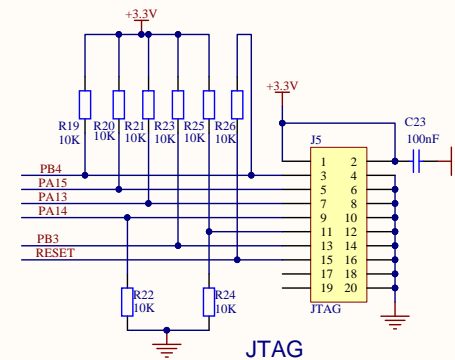
USART



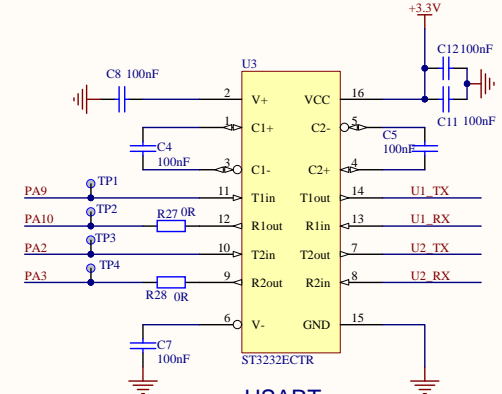
LED



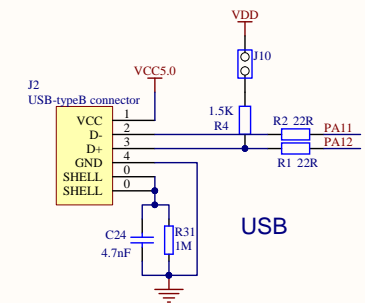
KEY



JTAG



USART



USB

