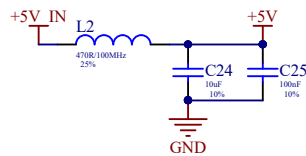
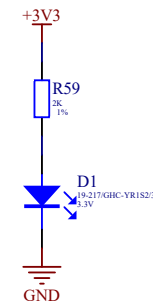
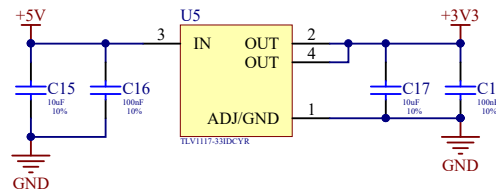
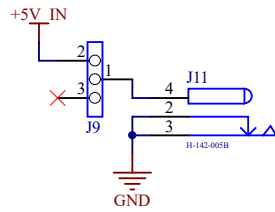

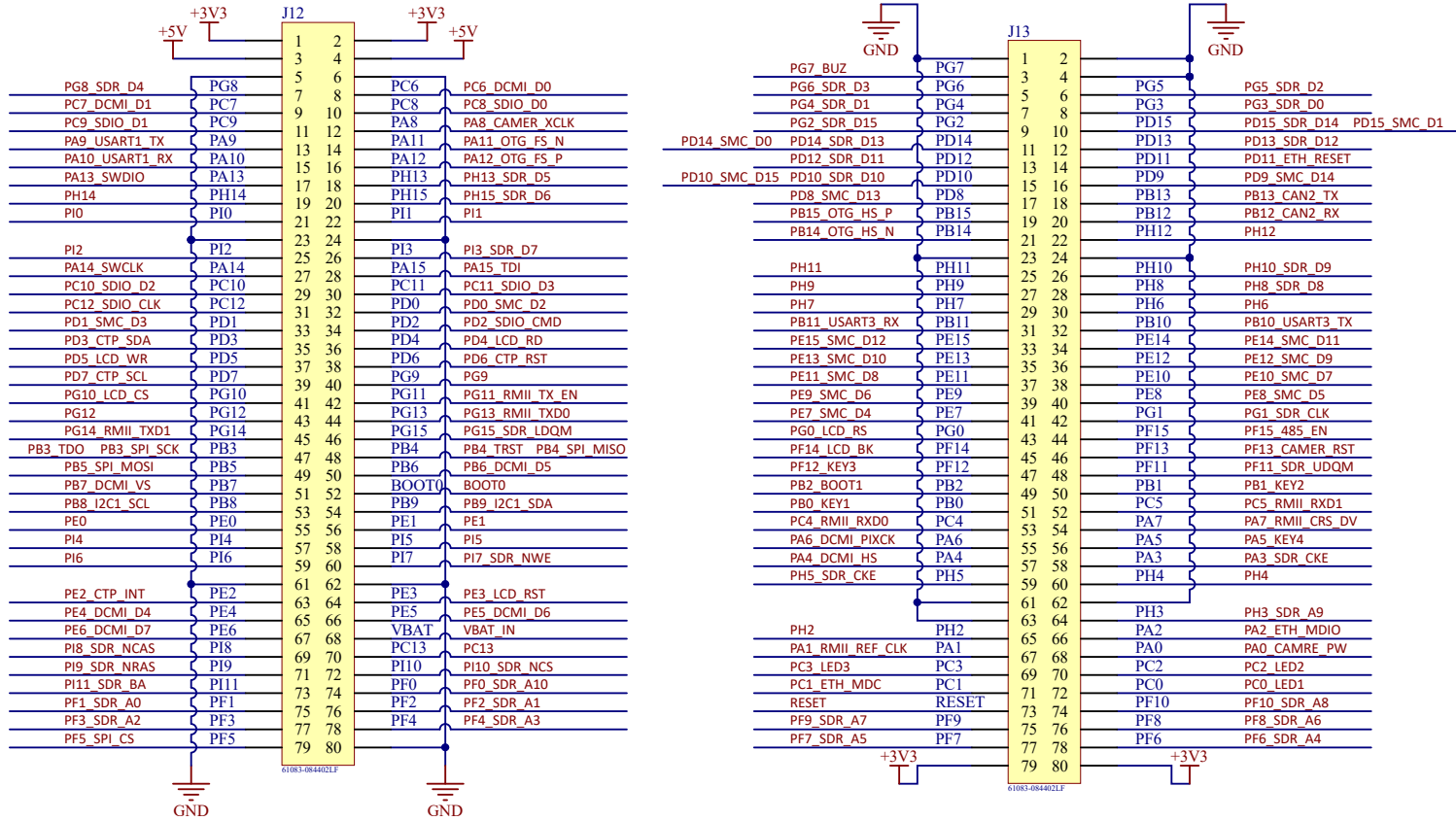


Page1:Power Supply



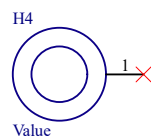
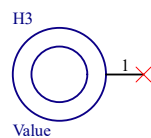
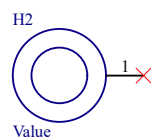
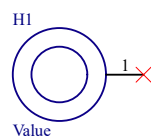
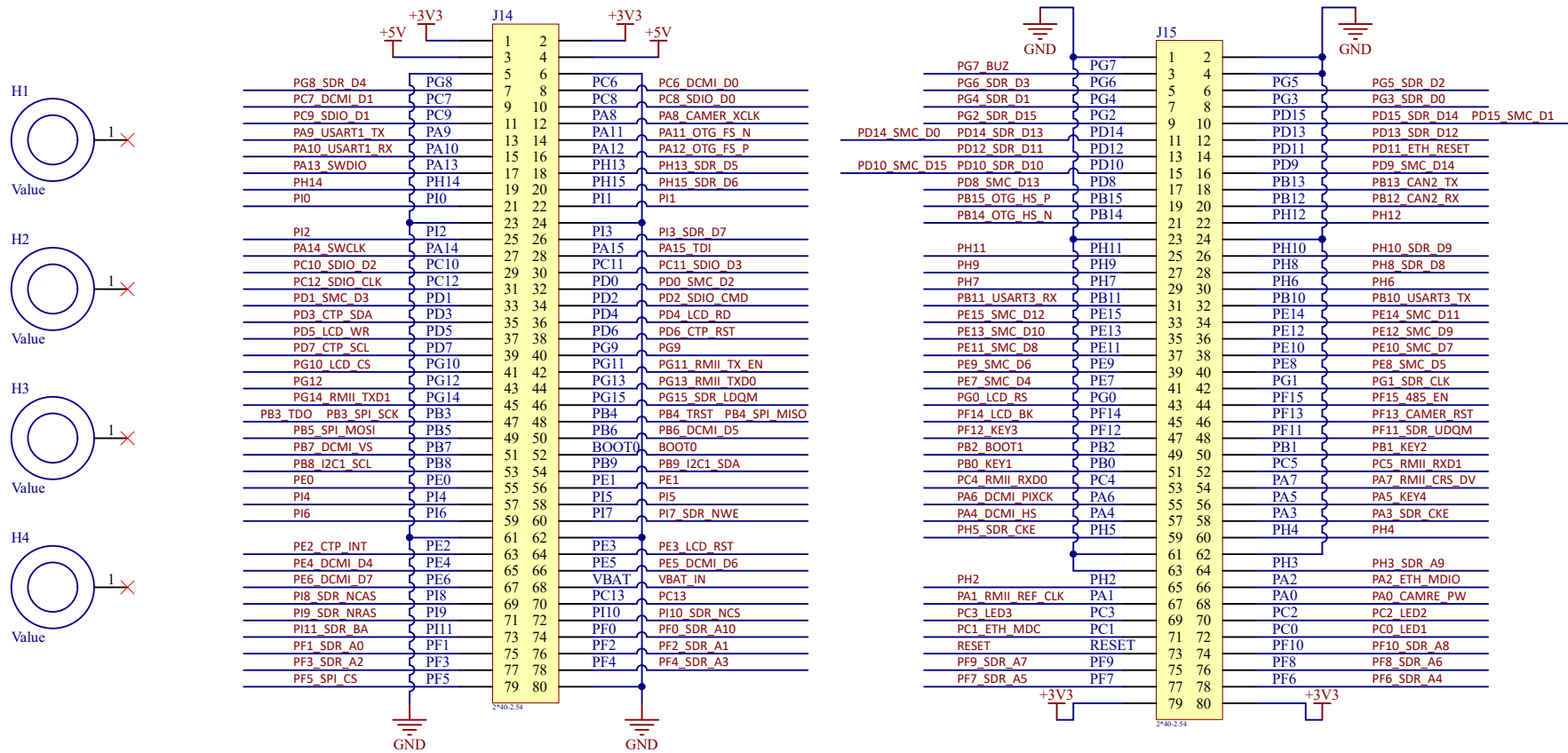
POWER SUPPLY

 www.geehy.com	ProjectName	APM32F407 EVAL V1.1
	DocumentName	Power Supply
	Page Number	1/8

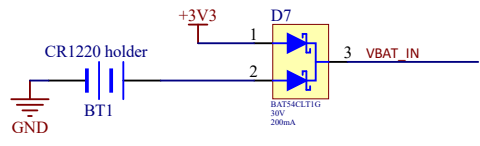
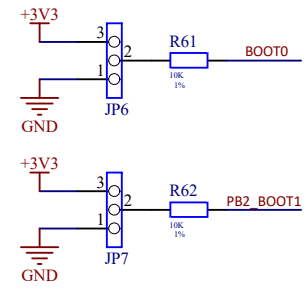


CONNECT

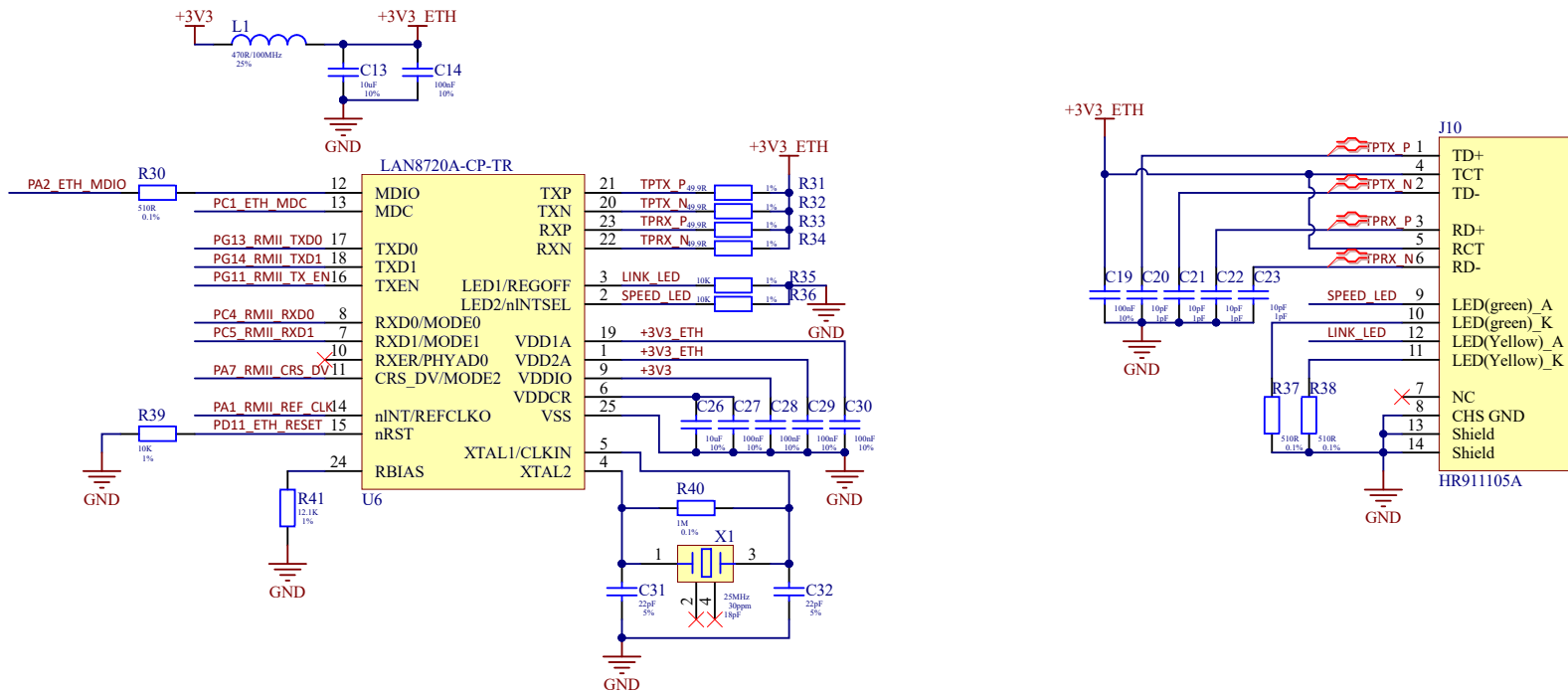
 www.geehy.com	ProjectName	APM32F407 EVAL V1.1
	DocumentName	MCU_Connect
	Page Number	2/8




GPIO



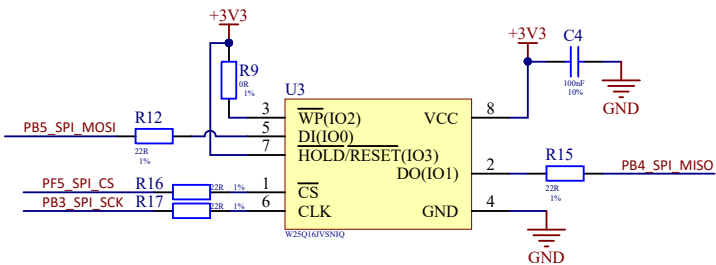
 www.geehy.com	ProjectName	APM32F407 EVAL V1.1
	DocumentName	GPIO
	Page Number	3/8



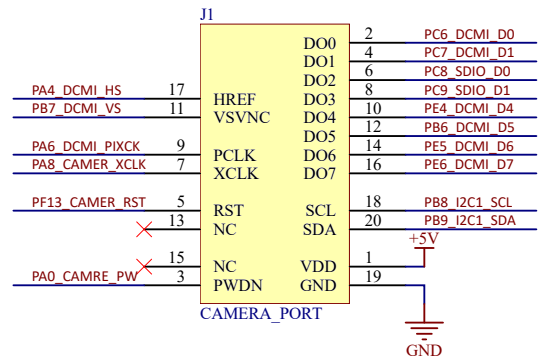
ETH

 www.geehy.com	ProjectName	APM32F407 EVAL V1.1
	DocumentName	ETH
	Page Number	4/8

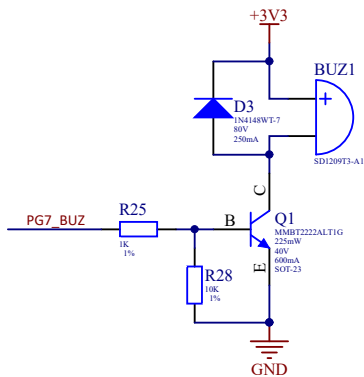
Page5:Memory&Camera&Button&BUZ



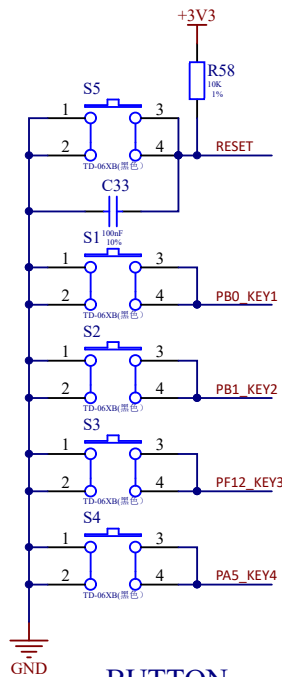
SPI_FLASH




CAMERA

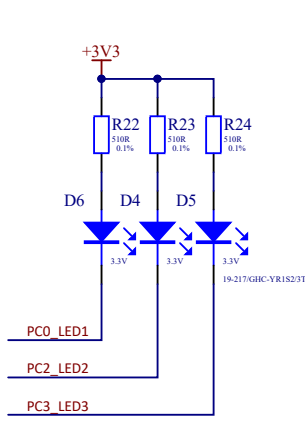


BUZ

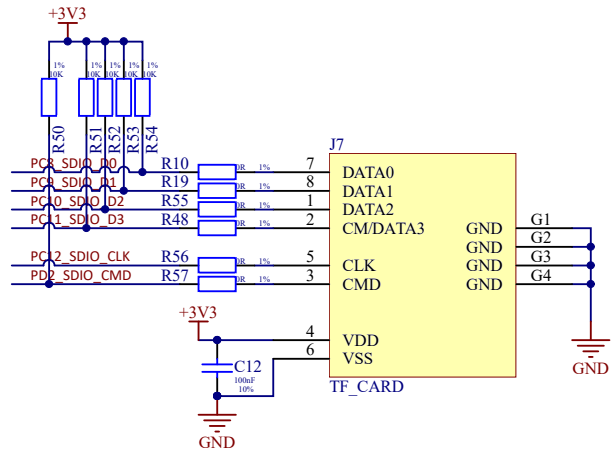


BUTTON

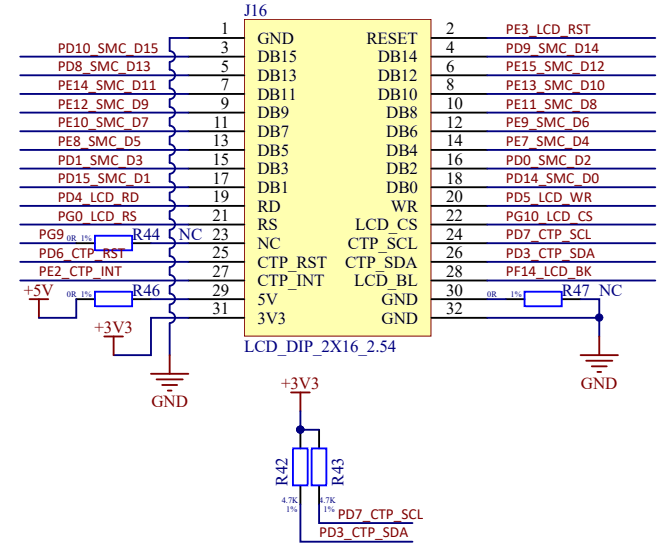
 www.geehy.com	ProjectName	APM32F407 EVAL V1.1
	DocumentName	Memory&Cam&Button&BUZ
	Page Number	5/8




LED

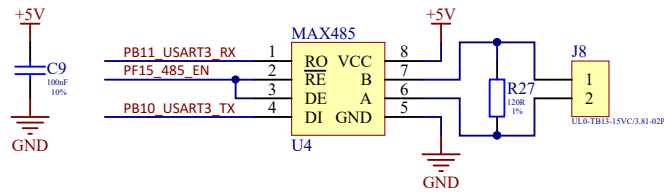
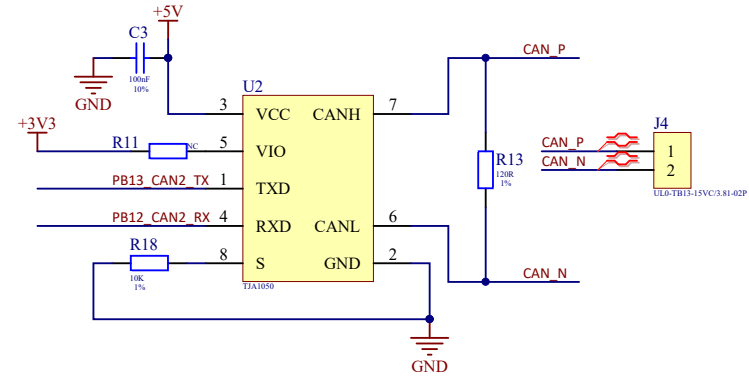
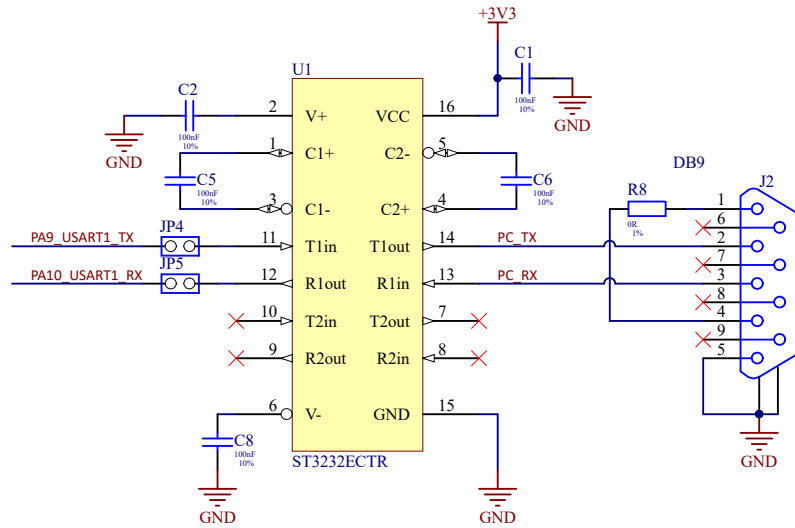



TF_CARD

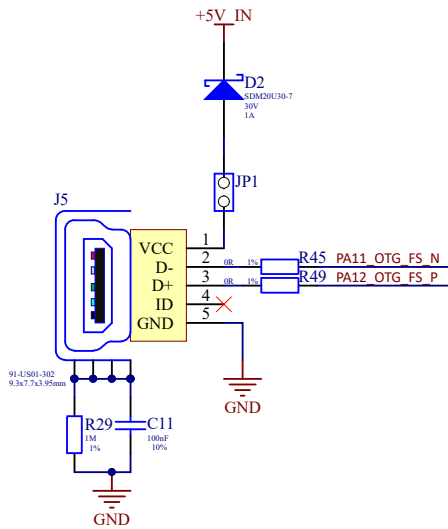


LCD

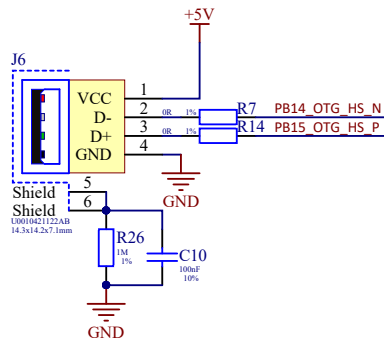
 www.geehy.com	ProjectName	APM32F407 EVAL V1.1
	DocumentName	TFCard&LED&LCD
	Page Number	6/8



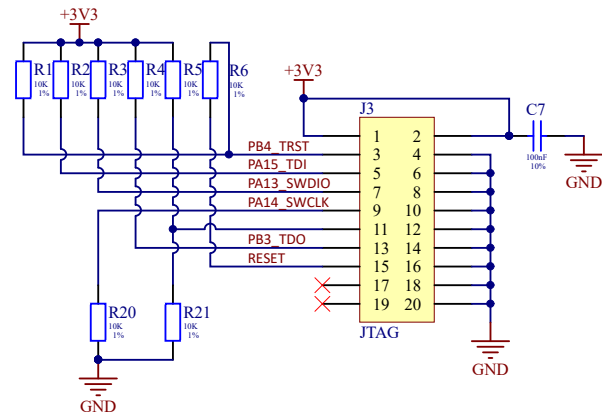
 www.geehy.com	ProjectName	APM32F407 EVAL V1.1
	DocumentName	Communication
	Page Number	7/8




USB Device



USB HOST



JTAG

 www.geehy.com	ProjectName	APM32F407 EVAL V1.1
	DocumentName	USB&JTAG
	Page Number	8/8