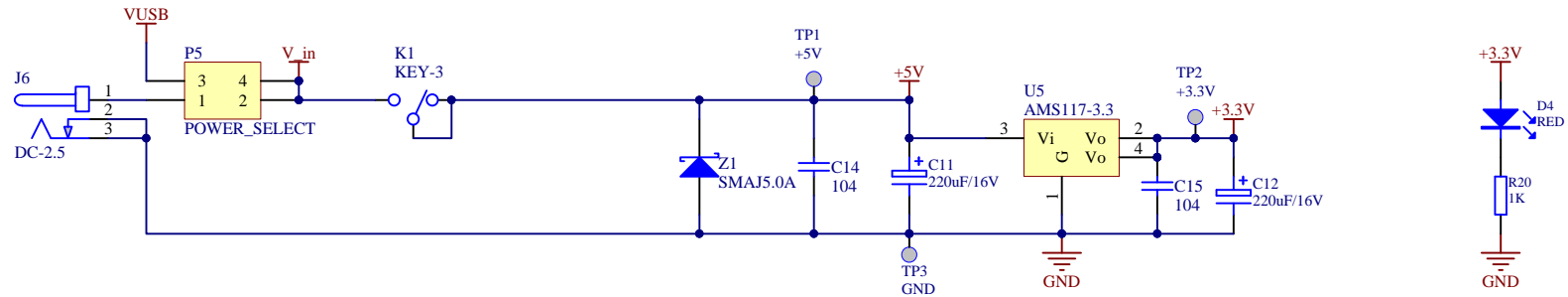
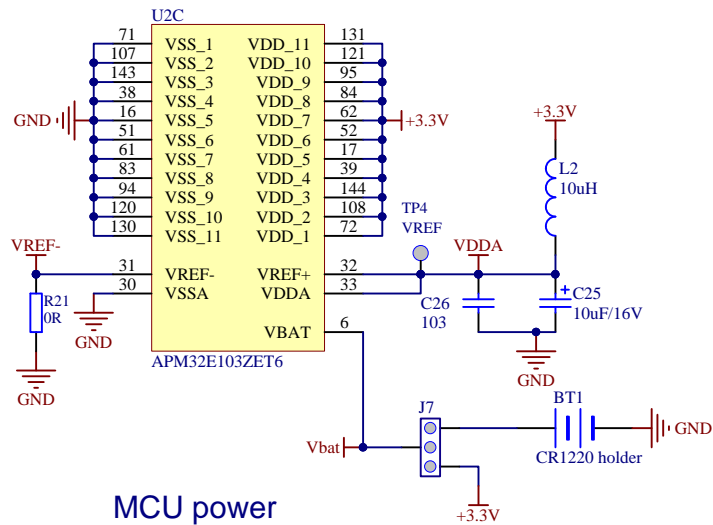
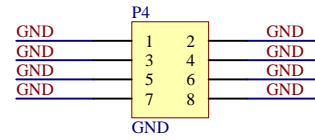
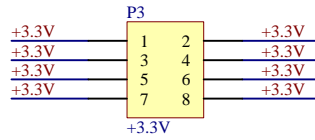
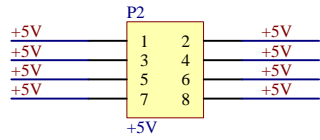


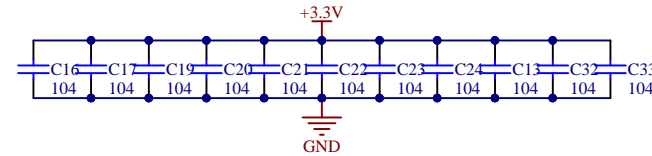
Page1:Power Supply.SchDoc




Power regulator



MCU power



 http://www.geehy.com	ProjectName	APM32E103ZE EVAL
	DocumentName	Power
	Page Number	1/7

1

2

3

4

U2A

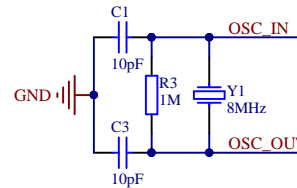
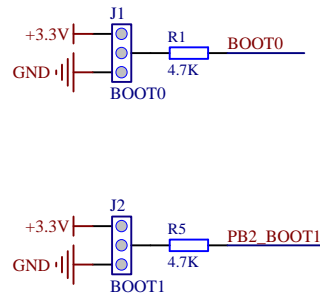
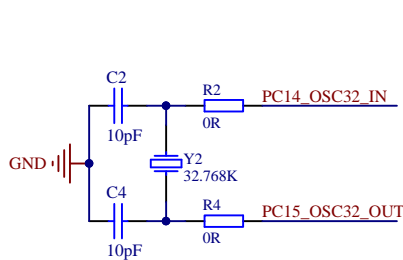
PA0	PA0_KEY_WKUP	34	PA0/WKUP/ADC123_IN0	PC0/ADC123_IN10	26	PC0_ADC12_IN10	PC0
PA1	PA1_LCD_RES	35	PA1/ADC123_IN1	PC1/ADC123_IN11	27	PC1_ADC12_IN11	PC1
PA2	PA2_USART2_TX	36	PA2/USART2_TX/ADC123_IN2	PC2/ADC123_IN12	28	PC2_ADC12_IN12	PC2
PA3	PA3_USART2_RX	37	PA3/USART2_RX/ADC123_IN3	PC3/ADC123_IN13	29		PC3
PA4	PA4_LCD_CS	40	PA4/SPI1_NSS/ADC12_IN4	PC4/ADC12_IN14	44		PC4
PA5	PA5_LCD_CLK	41	PA5/SPI1_SCK/ADC12_IN5	PC5/ADC12_IN15	45		PC5
PA6	PA6_LCD_DO	42	PA6/SPI1_MISO/ADC12_IN6	PC6/SDIO_D6	96		PC6
PA7	PA7_LCD_DC	43	PA7/SPI1_MOSI/ADC12_IN7	PC7/SDIO_D7	97	PC7_SDIO_CD	PC7
PA8	PA8_LCD_BLK	100	PA8	PC8/SDIO_D0	98	PC8_SDIO_D0	PC8
PA9	PA9_USART1_TX	101	PA9/USART1_TX	PC9/SDIO_D1	99	PC9_SDIO_D1	PC9
PA10	PA10_USART1_RX	102	PA10/USART1_RX	PC10/UART4_TX/SDIO_D2/DMC_DQ8	111	PC10_UART4_TX_SDIO_D2_DMC_D8	PC10
PA11	PA11_USBDDM	103	PA11/USBDDM/CAN1_RX	PC11/UART4_RX/SDIO_D3/DMC_DQ9	112	PC11_UART4_RX_SDIO_D3_DMC_D9	PC11
PA12	PA12_USBDDP	104	PA12/USBDDP/CAN1_TX	PC12/UART5_TX/SDIO_CLK	113	PC12_UART5_TX_SDIO_CLK	PC12
PA13	PA13_SWDIO	105	PA13/JTMS/SWDIO	PC13/ANTI_TAMP	7	PC13_ANT_TAMP	PC13
PA14	PA14_SWCLK	109	PA14/JTCK/SWCLK	PC14/OSC32_IN	8	PC14_OSC32_IN	PC14
PA15	PA15_SPI3_NSS_TDI	110	PA15/JTDI/SPI3_NSS	PC15/OSC32_OUT	9	PC15_OSC32_OUT	PC15
PB0		46	PB0/ADC12_IN8	PD0	114		PD0
PB1		47	PB1/ADC12_IN9	PD1	115		PD1
PB2	PB2_BOOT1	48	PB2/BOOT1	PD2/UART5_RX/SDIO_SMD/DMC_DQ10	116	PD2_UART5_RX_SDIO_CMD_DMC_D10	PD2
PB3	PB3_SPI3_SCK_TDO	133	PB3/JTDO/SPI3_SCK	PD3/DMC_DQ11	117	PD3_DMC_D11	PD3
PB4	PB4_SPI3_MISO_TRST	134	PB4/NJTRST/SPI3_MISO	PD4/DMC_DQ12	118	PD4_DMC_D12	PD4
PB5	PB5_SPI3_MOSI	135	PB5/SPI3_MOSI	PD5/DMC_DQ13	119	PD5_DMC_D13	PD5
PB6	PB6_I2C1_SCL	136	PB6/I2C1_SCL	PD6/DMC_DQ14	122	PD6_DMC_D14	PD6
PB7	PB7_I2C1_SDA	137	PB7/I2C1_SDA	PD7	123		PD7
PB8	PB8_CAN1_RX	139	PB8/SDIO_D4/CAN1_RX	PD8/USART3_TX	77	PD8_USART3_TX	PD8
PB9	PB9_CAN1_TX	140	PB9/SDIO_D5/CAN1_TX	PD9/USART3_RX	78	PD9_USART3_RX	PD9
PB10	PB10_DMC_UDQM	69	PB10/I2C2_SCL/USART3_TX/DMC_UDQM	PD10	79		PD10
PB11	PB11_DMC_CKE	70	PB11/I2C2_SDA/USART3_RX/DMC_CKE	PD11	80		PD11
PB12	PB12_CAN2_RX	73	PB12/SPI2_NSS/CAN2_RX	PD12	81		PD12
PB13	PB13_CAN2_TX	74	PB13/SPI2_SCK/CAN2_TX	PD13	82	PD13_LED1	PD13
PB14		75	PB14/SPI2_MISO	PD14	85	PD14_LED2	PD14
PB15		76	PB15/SPI2_MOSI	PD15	86	PD15_LED3	PD15

APM32E103ZET6

U2B

PG0	PG0_DMC_A3	56	PG0/DMC_A3	PE0	141		PE0
PG1		57	PG1	PE1	142		PE1
PG2		87	PG2	PE2	1		PE2
PG3		88	PG3	PE3/DMC_DQ4	2	PE3_DMC_D4	PE3
PG4		89	PG4	PE4	3		PE4
PG5		90	PG5	PE5/DMC_DQ5	4	PE5_DMC_D5	PE5
PG6		91	PG6	PE6/DMC_DQ6	5	PE6_DMC_D6	PE6
PG7		92	PG7	PE7	58		PE7
PG8		93	PG8	PE8/DMC_A4	59	PE8_DMC_A4	PE8
PG9	PG9_DMC_D15	124	PG9/DMC_DQ15	PE9/DMC_A5	60	PE9_DMC_A5	PE9
PG10		125	PG10	PE10/DMC_A6	63	PE10_DMC_A6	PE10
PG11		126	PG11	PE11/DMC_A7	64	PE11_DMC_A7	PE11
PG12	PG12_DMC_D0	127	PG12/DMC_DQ0	PE12/DMC_A8	65	PE12_DMC_A8	PE12
PG13	PG13_DMC_D1	128	PG13/DMC_DQ1	PE13/DMC_A9	66	PE13_DMC_A9	PE13
PG14	PG14_DMC_D2	129	PG14/DMC_DQ2	PE14	67	PE14_USB_Connect	PE14
PG15	PG15_DMC_D3	132	PG15/DMC_DQ3	PE15/DMC_CLK	68	PE15_DMC_CLK	PE15
BOOT0	138		BOOT0	PF0/DMC_DQ7	10	PF0_DMC_D7	PF0
		106	NC	PF1	11		PF1
				PF2/DMC_CS	12	PF2_DMC_CS	PF2
				PF3	13		PF3
				PF4/DMC_RAS	14	PF4_DMC_RAS	PF4
				PF5/DMC_CAS	15	PF5_DMC_CAS	PF5
OSC_IN	23		OSC_IN	PF6/DMC_WE/ADC3_IN4	18	PF6_DMC_WE	PF6
				PF7/ADC3_IN5	19		PF7
OSC_OUT	24		OSC_OUT	PF8/ADC3_IN6	20		PF8
				PF9/ADC3_IN7	21	PF9_User Button	PF9
				PF10/DMC_LDQM/ADC3_IN8	22	PF10_DMC_LDQM	PF10
				PF11/DMC_BA	49	PF11_DMC_BA	PF11
				PF12/DMC_A10	50	PF12_DMC_A10	PF12
				PF13/DMC_A0	53	PF13_DMC_A0	PF13
				PF14/DMC_A1	54	PF14_DMC_A1	PF14
RESET#	25		NRST	PF15/DMC_A2	55	PF15_DMC_A2	PF15

APM32E103ZET6



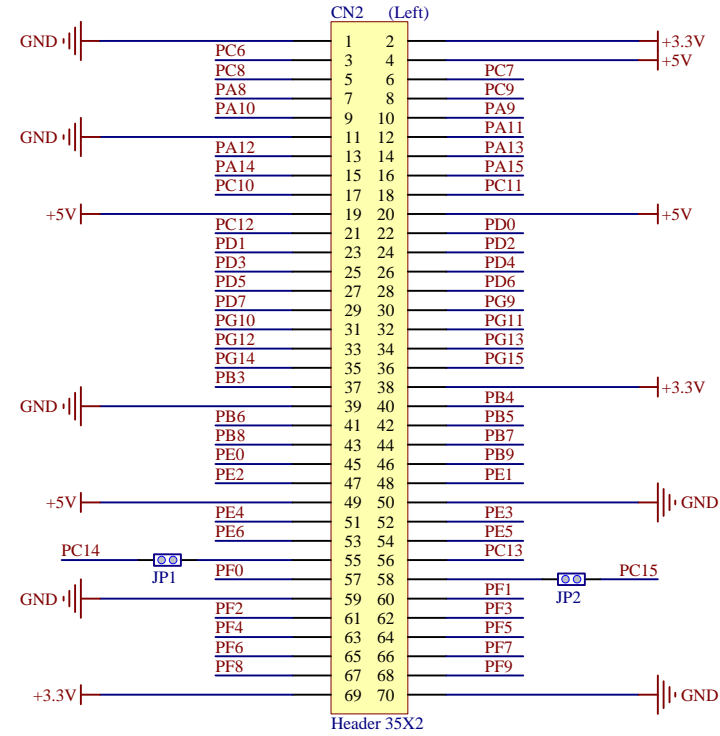
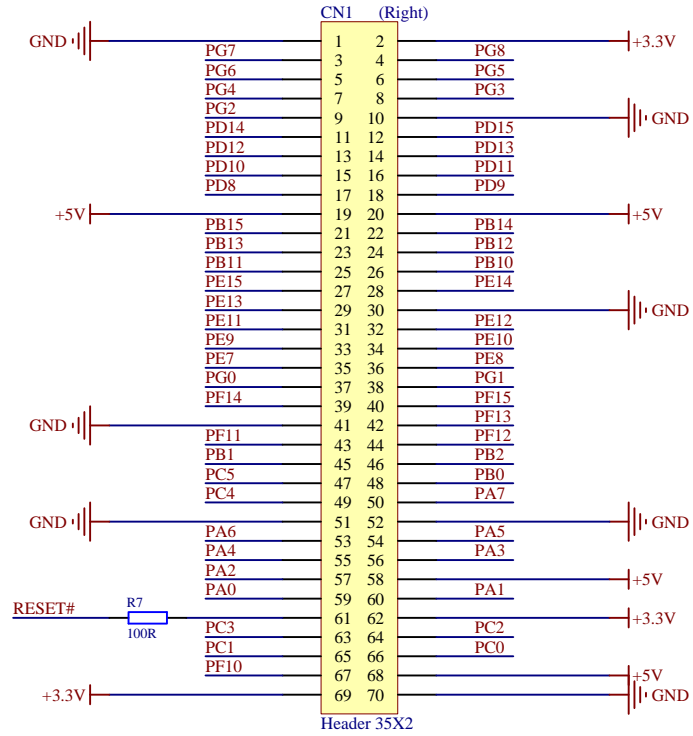
 http://www.geehy.com	ProjectName	APM32E103ZE EVAL
	DocumentName	MCU
	Page Number	2/7

1


2

3

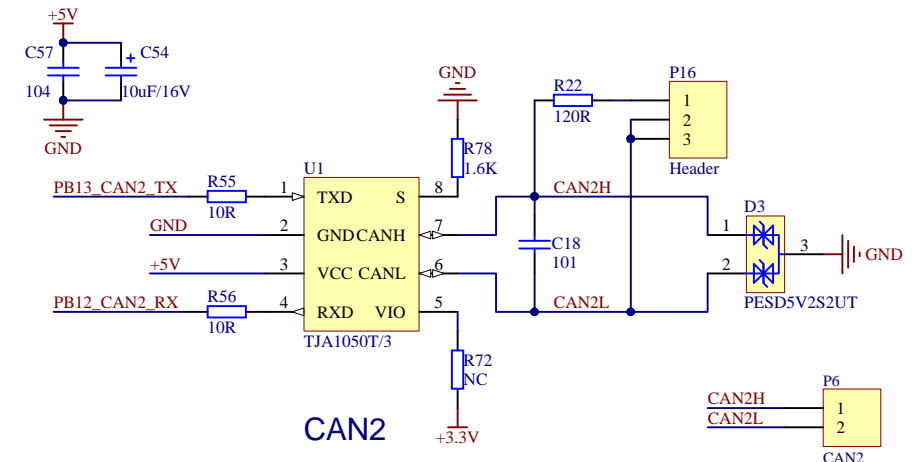
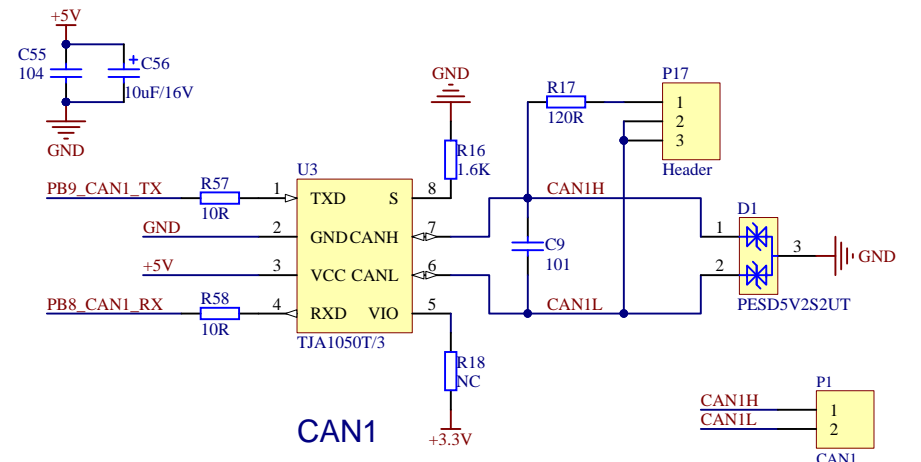
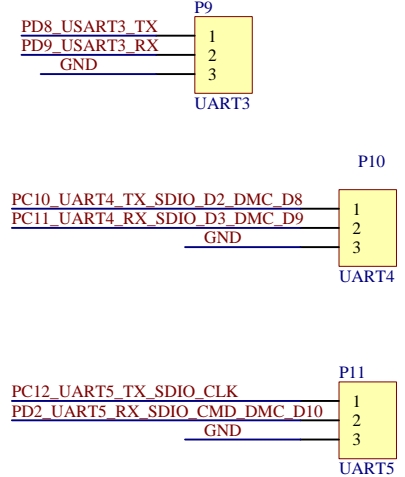
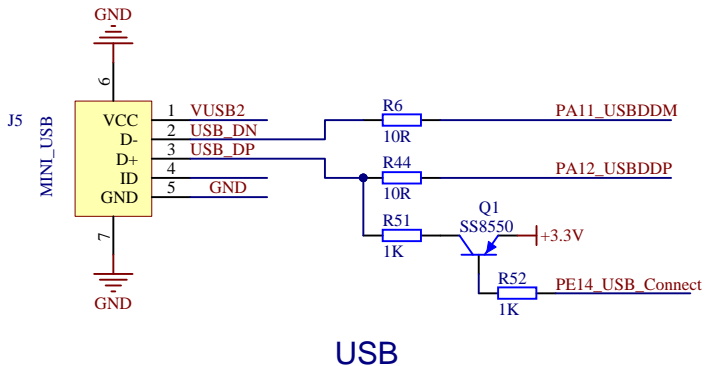
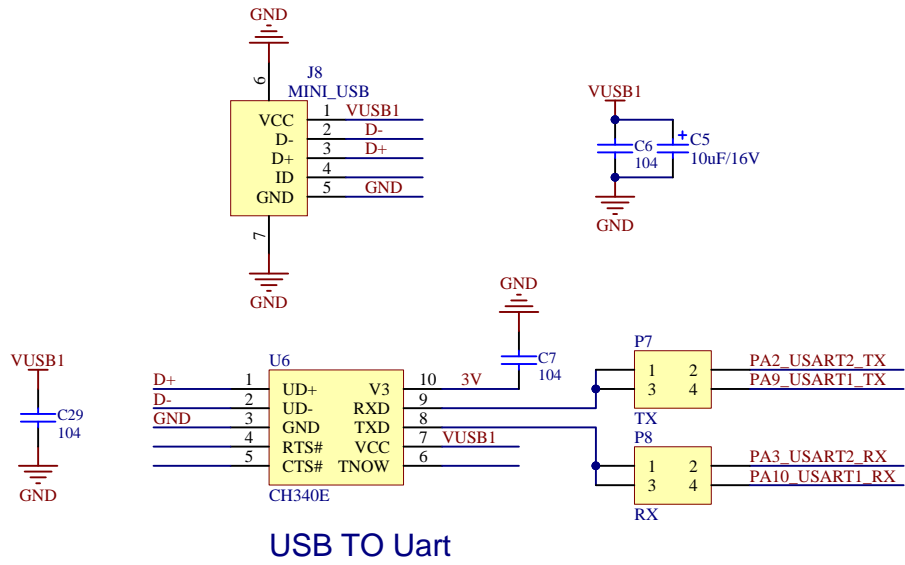
4



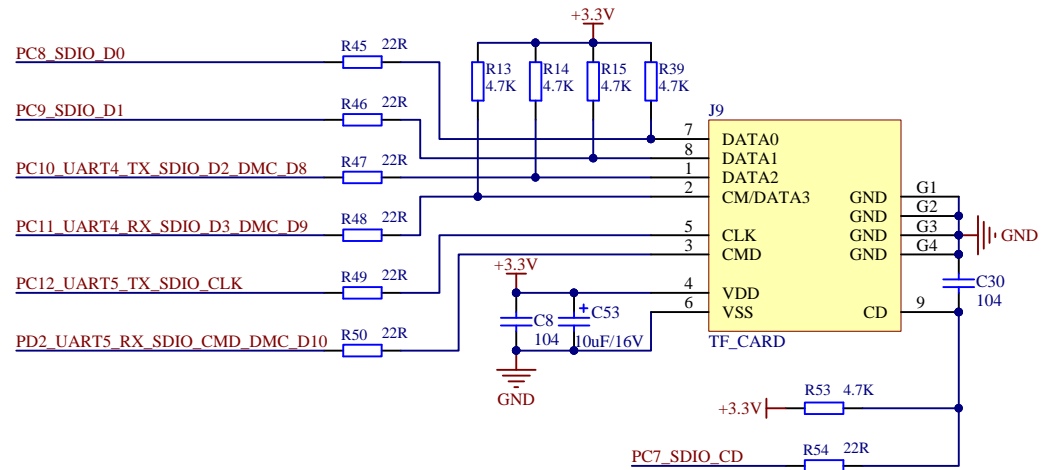
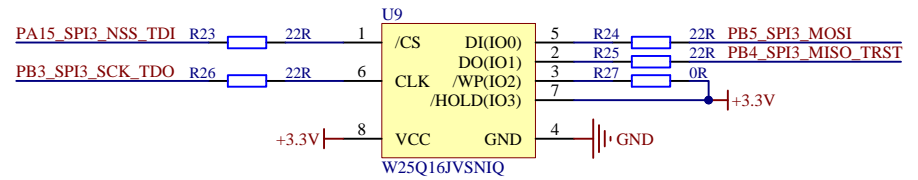
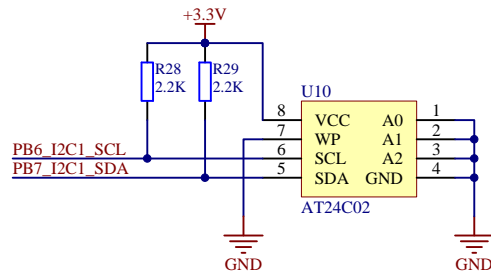
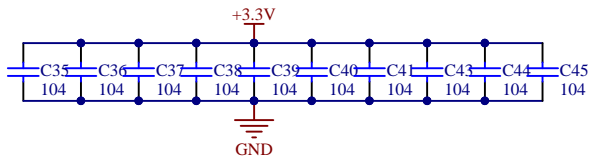
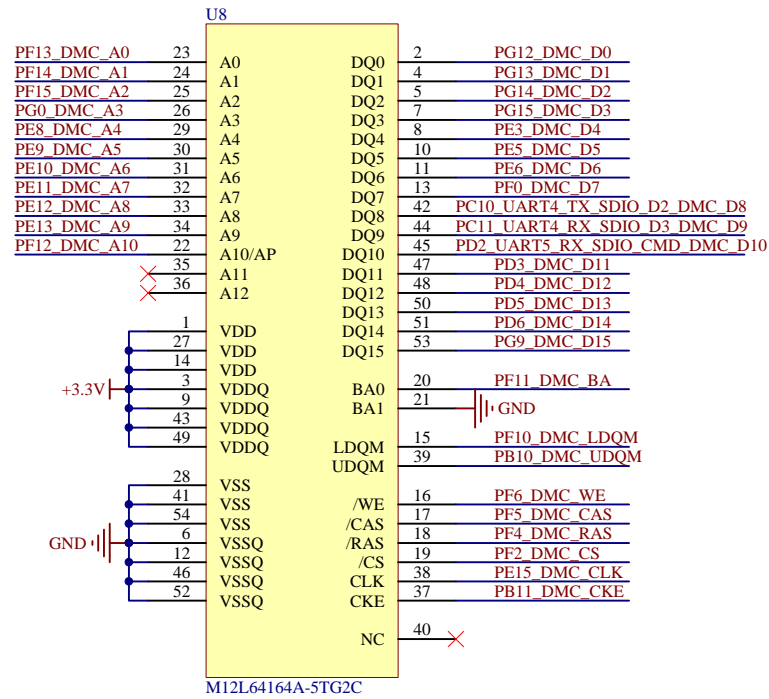
Extension connector

 http://www.geehy.com	ProjectName	APM32E103ZE EVAL
	DocumentName	MCU_Connector
	Page Number	3/7

Page4:Communication.SchDoc

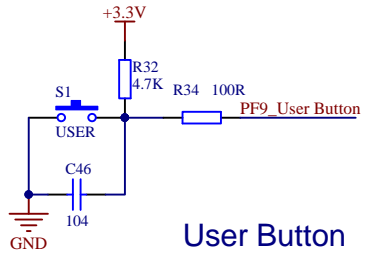


 http://www.geehy.com	ProjectName	APM32E103ZE EVAL
	DocumentName	Communication
	Page Number	4/7

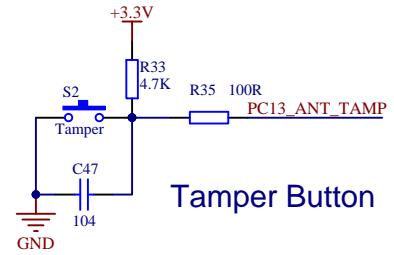


 http://www.geehy.com	ProjectName	APM32E103ZE EVAL
	DocumentName	Memory
	Page Number	5/7

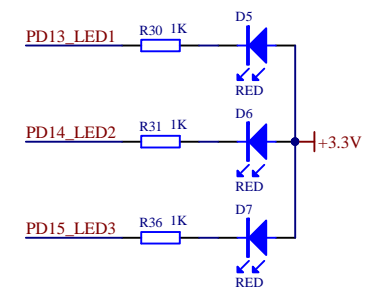
Page6:Display&Button.SchDoc



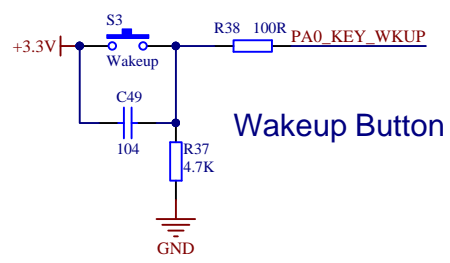
User Button



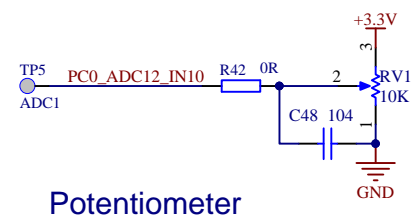
Tamper Button



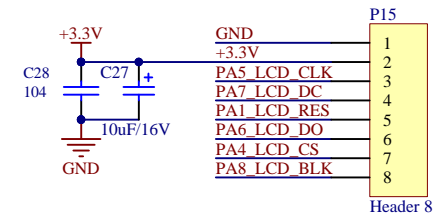
LED



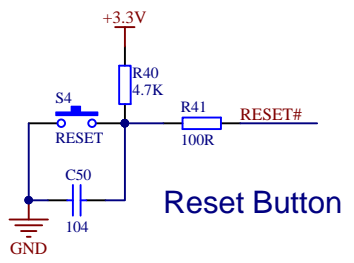
Wakeup Button



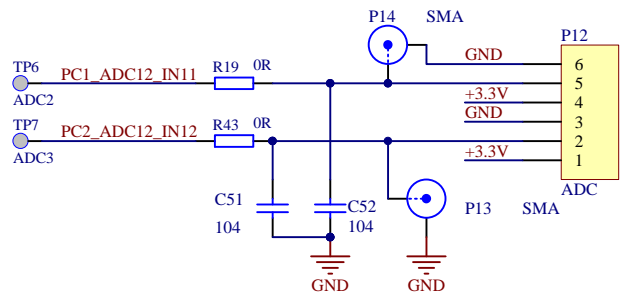
Potentiometer



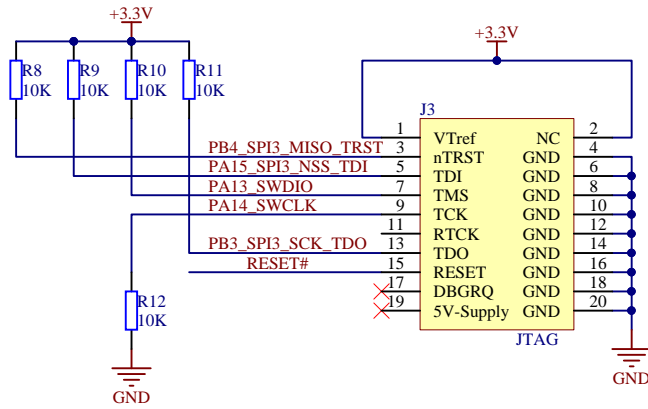
TFT LCD



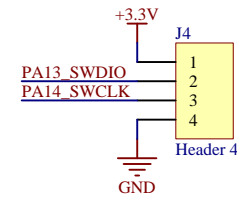
Reset Button




 http://www.geehy.com	ProjectName	APM32E103ZE EVAL
	DocumentName	Display&Button
	Page Number	6/7



JTAG connector



SWD

 http://www.geehy.com	ProjectName	APM32E103ZE EVAL
	DocumentName	JTAG&SWD
	Page Number	7/7