

- NOTES
- ① 材質及び仕上げ(めっき仕様) : TABLE 1, TABLE 2 参照
MATERIAL AND FINISHES (PLATING SPECIFICATION) : SEE TABLE 1 AND TABLE 2
 - ② 適合嵌合相手 : 505570シリーズ
MATE WITH : 505570 SERIES
 - ③ 端子テール部及びネイルの平坦度 : 0.1mm以下
TAIL AND NAIL COPLANARITY TO BE 0.1mm MAXIMUM.
 - ④ 偶数極に適用
APPLY TO EVEN CIRCUIT
 - ⑤ 製品仕様書 : 5055700001-PS PS 000
PRODUCT SPECIFICATION : 5055700001-PS PS 000
 - ⑥ コネクタ取扱説明書 : 5055700001 PS A03
APPLICATION SPECIFICATION : 5055700001 PS A03
 - ⑦ 本製品は錫めっき品である。
金めっき品は5055780002-SD PSD 000をご参照下さい。
THIS IS TIN PLATING PRODUCT.
PLEASE REFER TO 5055780002-SD PSD 000 FOR GOLD PLATING PRODUCT.
 - ⑧ 発注番号
ORDER NUMBER

505578**7*

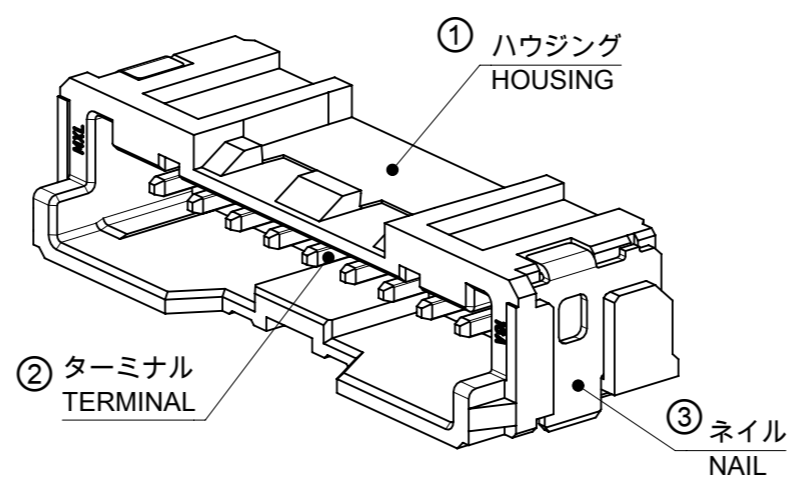
| 番号 NO. | ハウジングカラー HOUSING COLOR |
|--------|-------------------------|
| 0 | ナチュラル(白) NATURAL(WHITE) |
| 1 | 黒 BLACK |

| | | | BLACK | NATURAL(WHITE) | HOUSING COLOR |
|-------|----|----|------------|----------------|---------------|
| 34.53 | 30 | 36 | 5055781671 | 5055781670 | 16 |
| 32.53 | 28 | 34 | 5055781571 | 5055781570 | 15 |
| 30.53 | 26 | 32 | 5055781471 | 5055781470 | 14 |
| 28.53 | 24 | 30 | 5055781371 | 5055781370 | 13 |
| 26.53 | 22 | 28 | 5055781271 | 5055781270 | 12 |
| 24.53 | 20 | 26 | 5055781171 | 5055781170 | 11 |
| 22.53 | 18 | 24 | 5055781071 | 5055781070 | 10 |
| 20.53 | 16 | 22 | 5055780971 | 5055780970 | 9 |
| 18.53 | 14 | 20 | 5055780871 | 5055780870 | 8 |
| 16.53 | 12 | 18 | 5055780771 | 5055780770 | 7 |
| 14.53 | 10 | 16 | 5055780671 | 5055780670 | 6 |
| 12.53 | 8 | 14 | 5055780571 | 5055780570 | 5 |
| 10.53 | 6 | 12 | 5055780471 | 5055780470 | 4 |
| 8.53 | 4 | 10 | 5055780371 | 5055780370 | 3 |
| 6.53 | 2 | 8 | 5055780271 | 5055780270 | 2 |

TABLE 1

| 番号 NO. | 部品 PART | 材質 MATERIAL |
|--------|----------------|----------------------------------------------------------------------------------------------------------------------------------|
| ① | ハウジング HOUSING | ポリアミド(PA), UL94 V-0, 色 : 注記8参照 POLYAMIDE(PA), UL94 V-0, COLOR: SEE NOTE 8 |
| ② | ターミナル TERMINAL | 黄銅 BRASS |
| | | 錫めっき : 1.0 MICROMETER MINIMUM MATTE TIN PLATING ニッケルめっき (下地めっき) : 1.0 MICROMETER MINIMUM NICKEL PLATING (UNDER PLATING) |
| ③ | ネイル NAIL | リン青銅 PHOSPHOR BRONZE |
| | | 錫めっき : 1.0 MICROMETER MINIMUM MATTE TIN PLATING ニッケルめっき (下地めっき) : 1.0 MICROMETER MINIMUM NICKEL PLATING (UNDER PLATING) |

DOCUMENT STATUS P1 RELEASE DATE 2023/08/04 04:04:00

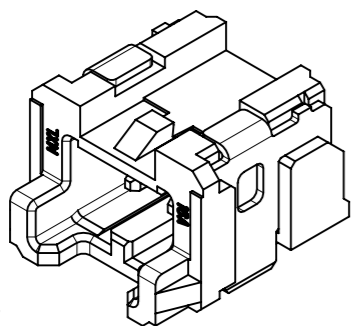


THIS DRAWING CONTAINS INFORMATION THAT IS PROPRIETARY TO MOLEX ELECTRONIC TECHNOLOGIES, LLC AND SHOULD NOT BE USED WITHOUT WRITTEN PERMISSION

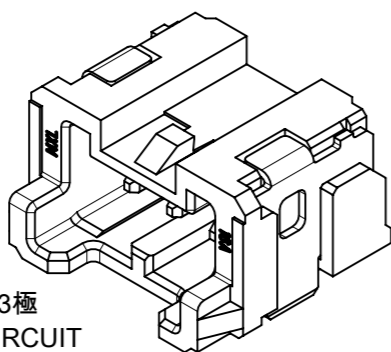
| | | | | | |
|------------------------------------------------------|------------------------|-------------------|------------------------------------------------------------------------------|-----------------|----------|
| DIMENSION UNITS | SCALE | CURRENT REV DESC: | molex | | |
| mm | NTS | | | | |
| GENERAL TOLERANCES (UNLESS SPECIFIED) | | | MICRO-LOCK PLUS 2.0 W/B SINGLE ROW RIGHT ANGLE SMT PLUG ASSEMBLY TIN PLATING | | |
| ANGULAR TOL | ± 3.0 ° | | PRODUCT CUSTOMER DRAWING | | |
| 4 PLACES | ± 0.2 | EC NO: 718854 | DOCUMENT NUMBER | | |
| 3 PLACES | ± 0.2 | DRWN: SOKUMURA01 | DOC TYPE DOC PART REVISION | | |
| 2 PLACES | ± 0.2 | CHK'D: SAKIYAMA | 5055780001 PSD 000 C | | |
| 1 PLACE | ± 0.2 | APPR: MARAI | | | |
| 0 PLACES | ± 0.2 | INITIAL REVISION: | | | |
| | | DRWN: TENAGASE | | | |
| | | APPR: TKANEKO | | | |
| DRAFT WHERE APPLICABLE MUST REMAIN WITHIN DIMENSIONS | THIRD ANGLE PROJECTION | DRAWING | SERIES | MATERIAL NUMBER | CUSTOMER |
| | | A3-SIZE | 505578 | SEE CHART | GENERAL |

製品形状
PRODUCT SHAPE

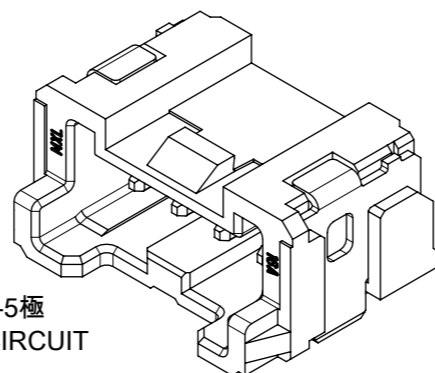
2極
2 CIRCUIT



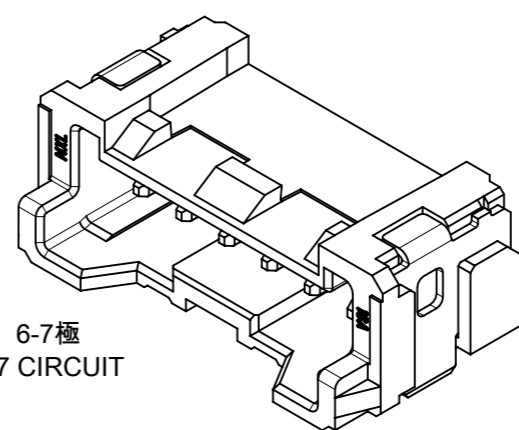
3極
3 CIRCUIT



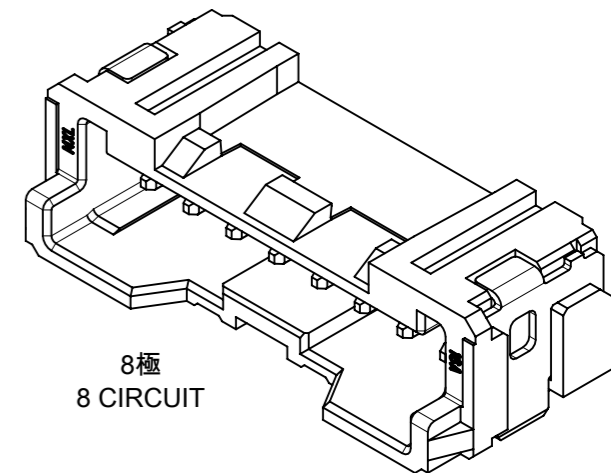
4-5極
4-5 CIRCUIT



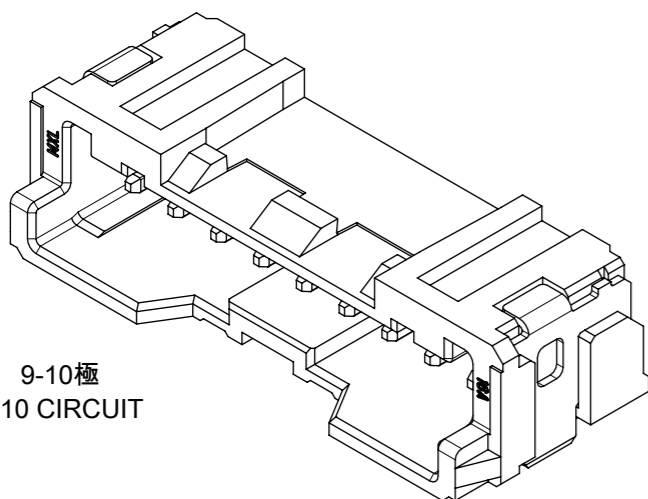
6-7極
6-7 CIRCUIT



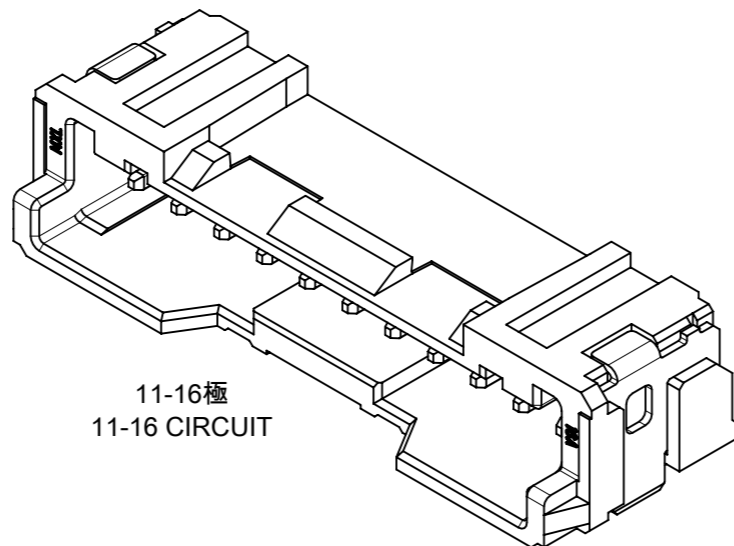
8極
8 CIRCUIT



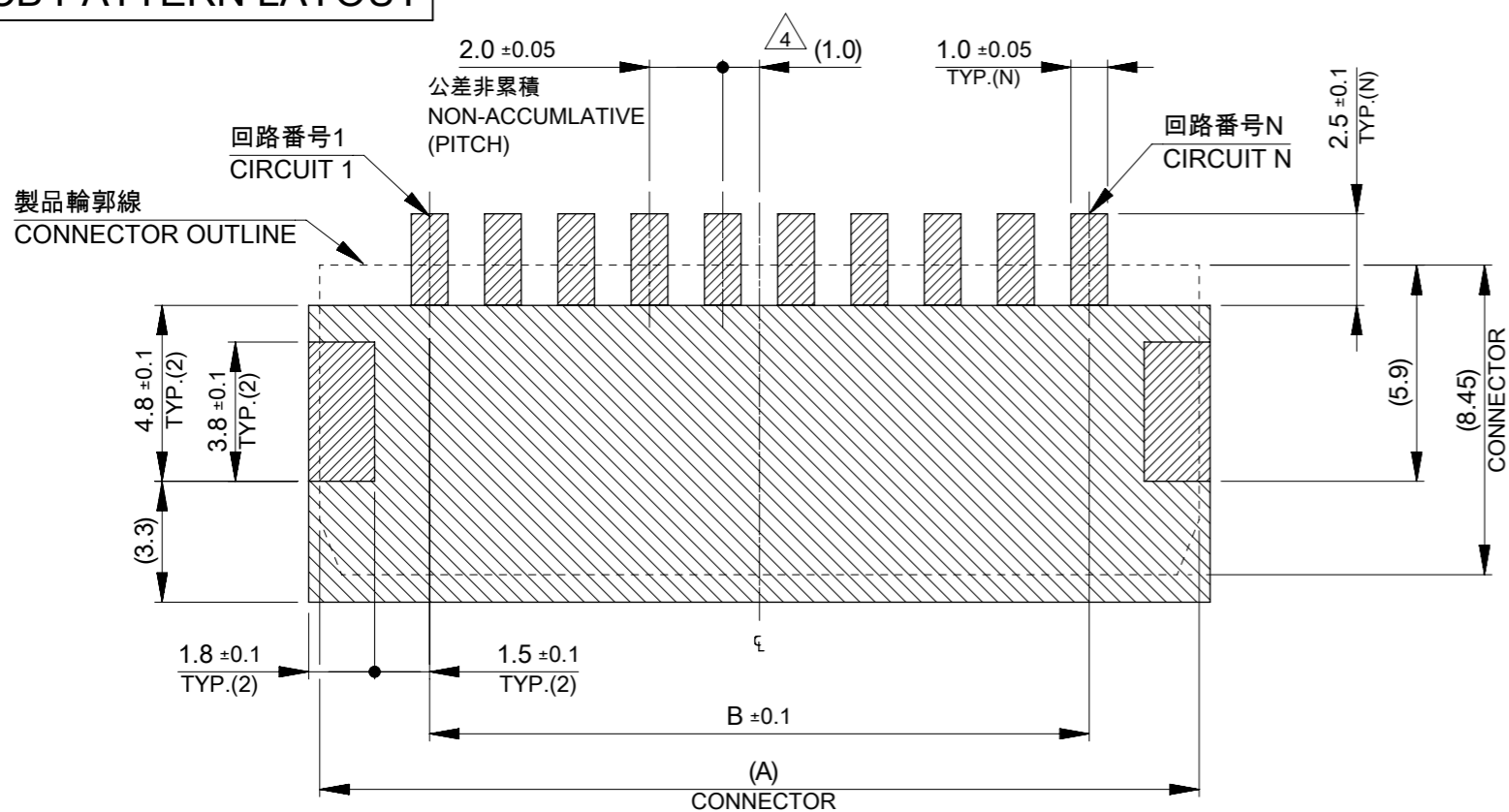
9-10極
9-10 CIRCUIT



11-16極
11-16 CIRCUIT



基板パターンレイアウト
PCB PATTERN LAYOUT



基板パターンレイアウト(参考)
(参考: 基板厚1.6mm, メタルマスク厚み0.15mm, マスク開口率100%)
PCB PATTERN LAYOUT (REFERENCE)
(REFERENCE: PCB THICKNESS 1.6mm, STENCIL THICKNESS 0.15mm, APERTURE RATIO 100%)

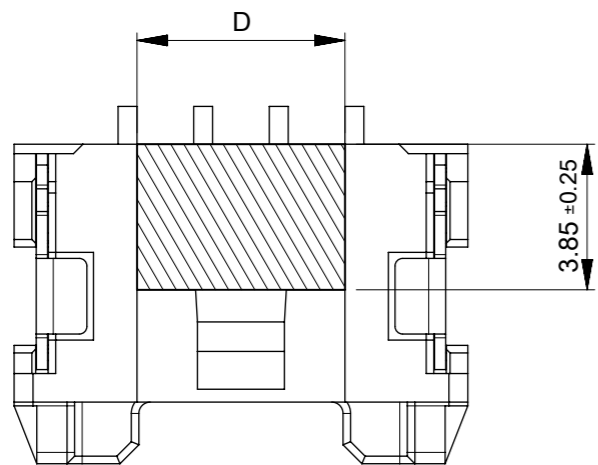
パターン非推奨エリア
パターンを引き回す際には製品機能に影響がないことを御確認ください。
PATTERN IS NOT RECOMMENDED ON THE HATCHING AREA.
PLEASE CHECK NOT TO HAVE PROBLEM FOR PRODUCT FUNCTION
WHEN SETTING PATTERN ON THE HATCHING AREA.

| | | | | | | | | | |
|-----------------------------------------------------------------------------------------------------------------------------------------------|--|-----------------------------|--|----------------------------------------------------------------------------------------------------------------------------------------------------------------------------------------------------------------------------------|--|-----------------|--|--------------|--|
| THIS DRAWING CONTAINS INFORMATION THAT IS PROPRIETARY TO MOLEX ELECTRONIC TECHNOLOGIES, LLC AND SHOULD NOT BE USED WITHOUT WRITTEN PERMISSION | | | | | | | | | |
| DIMENSION UNITS | | SCALE | | CURRENT REV DESC: | | | | | |
| mm | | NTS | | <p>molex</p> <p>MICRO-LOCK PLUS 2.0 W/B SINGLE ROW RIGHT ANGLE SMT PLUG ASSEMBLY TIN PLATING</p> <p>PRODUCT CUSTOMER DRAWING</p> <p>DOCUMENT NUMBER: 5055780001 DOC TYPE: PSD DOC PART: 000 REVISION: C</p> | | | | | |
| GENERAL TOLERANCES (UNLESS SPECIFIED) | | | | | | | | | |
| ANGULAR TOL ± 3.0° | | | | | | | | | |
| 4 PLACES ± 0.2 | | EC NO: 718854 | | | | | | | |
| 3 PLACES ± 0.2 | | DRWN: SOKUMURA01 2023/02/28 | | | | | | | |
| 2 PLACES ± 0.2 | | CHK'D: SAKIYAMA 2023/08/04 | | | | | | | |
| 1 PLACE ± 0.2 | | APPR: MARAI 2023/08/04 | | | | | | | |
| 0 PLACES ± 0.2 | | INITIAL REVISION: | | DRWN: TENAGASE 2016/05/12 | | MATERIAL NUMBER | | CUSTOMER | |
| DRAFT WHERE APPLICABLE MUST REMAIN WITHIN DIMENSIONS | | THIRD ANGLE PROJECTION | | DRAWING | | SERIES | | SHEET NUMBER | |
| | | A3-SIZE | | 505578 | | SEE SHEET 1 | | GENERAL | |

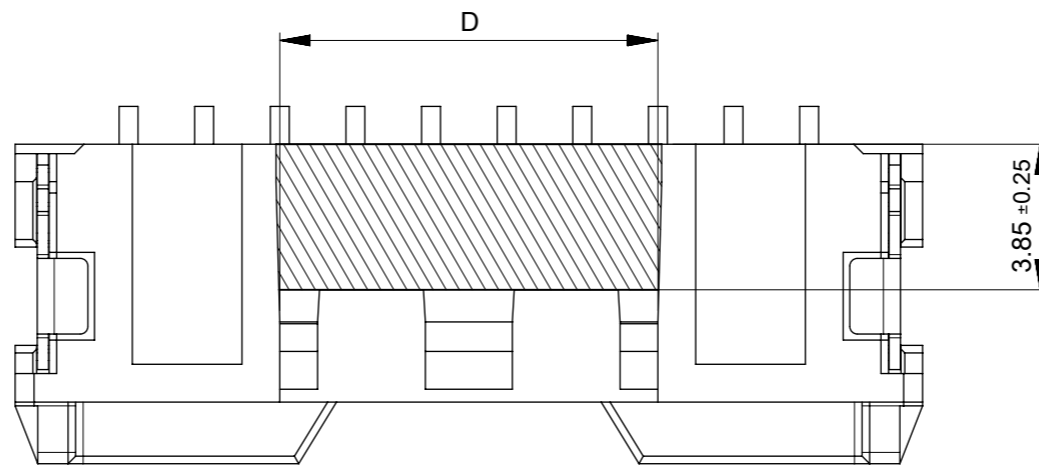
10 9 8 7 6 5 4 3 2 1

F
E

吸着エリア
SUCTION AREA



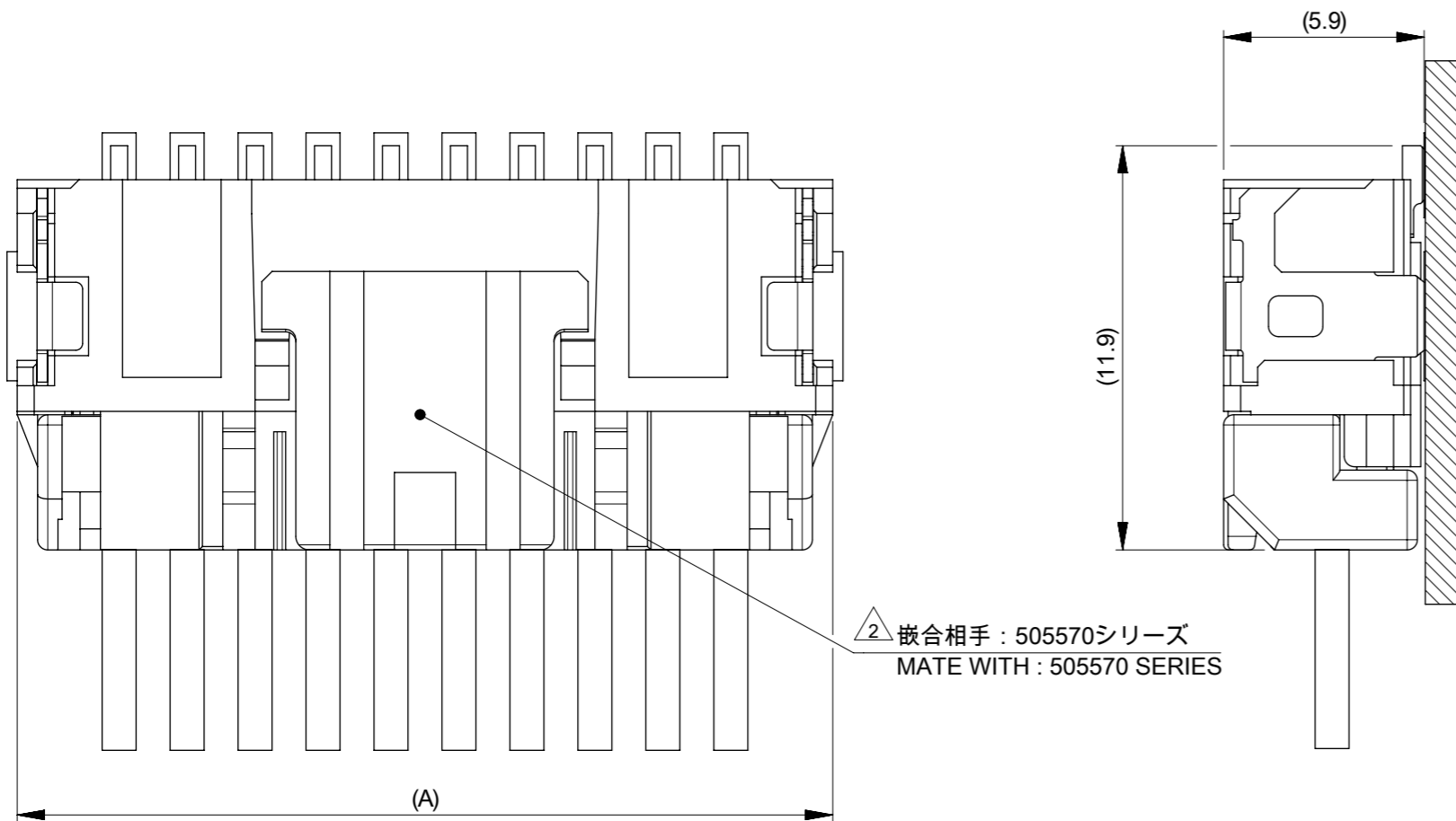
2-5CKT



6-16CKT

D

嵌合状態図
MATED CONNECTORS

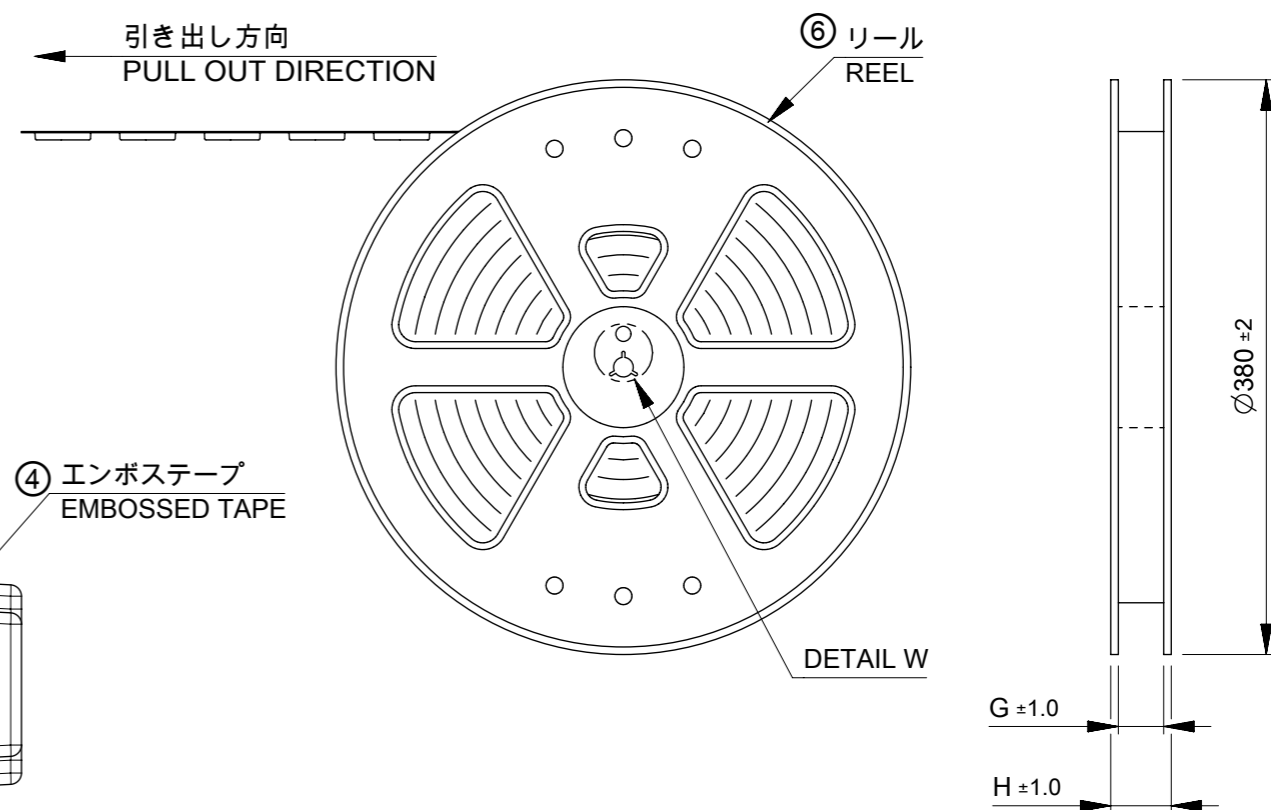
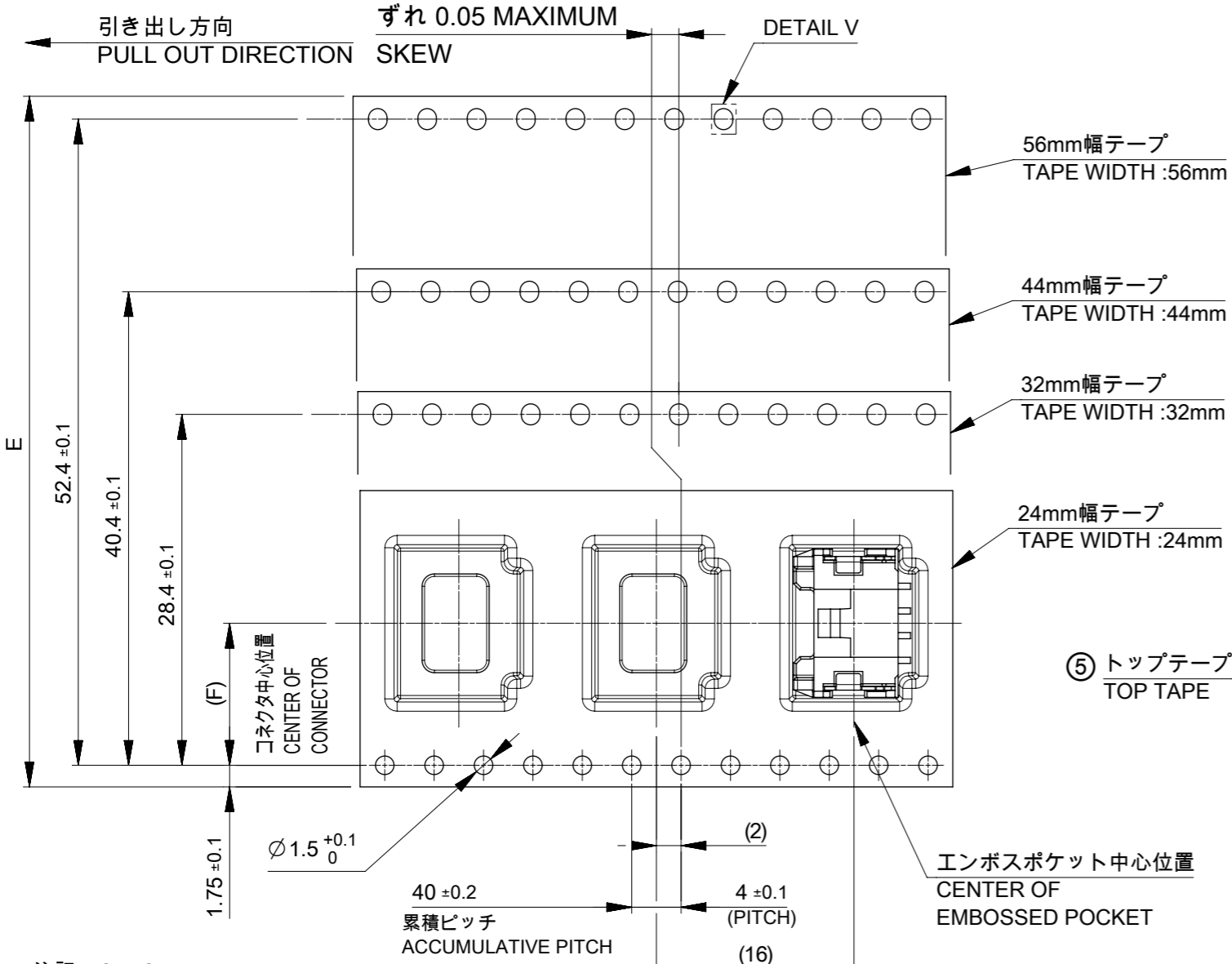


2 嵌合相手 : 505570シリーズ
MATE WITH : 505570 SERIES

| | |
|-----|-----------------------|
| 14 | 16 |
| | 15 |
| | 14 |
| | 13 |
| | 12 |
| 10 | 11 |
| | 10 |
| | 9 |
| | 8 |
| 5.5 | 7 |
| | 6 |
| | 5 |
| 3.5 | 4 |
| | 3 |
| D | 2 |
| D | 極数 CIRCUIT SIZE |

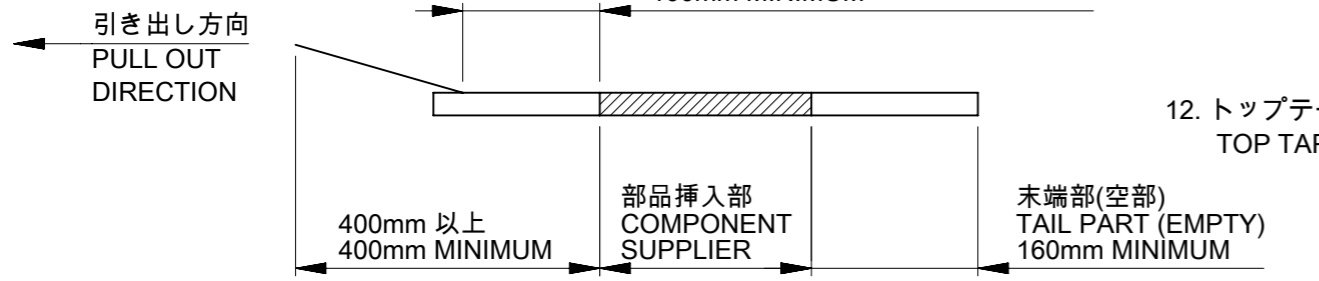
THIS DRAWING CONTAINS INFORMATION THAT IS PROPRIETARY TO MOLEX ELECTRONIC TECHNOLOGIES, LLC AND SHOULD NOT BE USED WITHOUT WRITTEN PERMISSION

| | | | | | | |
|------------------------------------------------------|-------|-----------------------------|--|------------------------------------------------------------------------------------|--|--|
| DIMENSION UNITS | SCALE | CURRENT REV DESC: | | | | |
| mm | NTS | | | | | |
| GENERAL TOLERANCES (UNLESS SPECIFIED) | | EC NO: 718854 | | MICRO-LOCK PLUS 2.0 W/B SINGLE ROW RIGHT ANGLE SMT PLUG ASSEMBLY TIN PLATING | | |
| ANGULAR TOL ± 3.0° | | DRWN: SOKUMURA01 2023/02/28 | | | | |
| 4 PLACES ± 0.2 | | CHK'D: SAKIYAMA 2023/08/04 | | PRODUCT CUSTOMER DRAWING | | |
| 3 PLACES ± 0.2 | | APPR: MARAI 2023/08/04 | | | | |
| 2 PLACES ± 0.2 | | INITIAL REVISION: | | DOCUMENT NUMBER | | |
| 1 PLACE ± 0.2 | | DRWN: TENAGASE 2016/05/12 | | | | |
| 0 PLACES ± 0.2 | | APPR: TKANEKO 2016/06/23 | | DOC TYPE DOC PART REVISION | | |
| DRAFT WHERE APPLICABLE MUST REMAIN WITHIN DIMENSIONS | | THIRD ANGLE PROJECTION | | | | |
| | | DRAWING | | SHEET NUMBER | | |
| | | SERIES | | | | |
| | | MATERIAL NUMBER | | GENERAL | | |
| | | CUSTOMER | | | | |
| | | A3-SIZE | | 505578 | | |



注記 NOTES

- 9. 梱包数量 : 900個
NUMBER OF CONNECTORS : 900 PIECES/REEL
- 10. 梱包仕様書 : 5055789200 PS 200
PACKING SPECIFICATION : 5055789200 PS 200
- 11. リードテープ長さ
LEAD TAPE LENGTH



12. トップテープの剥離強度については、IEC 60286-3に準拠
TOP TAPE PEEL FORCE IS DEFINED BY IEC 60286-3.

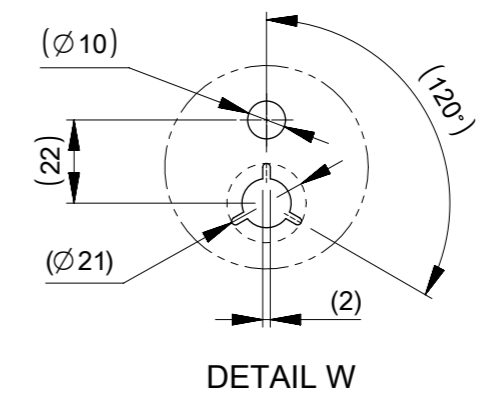
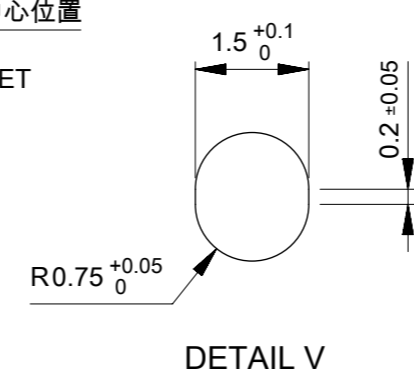


TABLE 2

| 番号 NO. | 部品 PART | 材質 MATERIAL |
|-----------|---------------------------|-------------------------------------------------------------------------|
| ④ | エンボステープ EMBOSSSED TAPE | ポリスチレン(PS) POLYSTYRENE(PS) |
| ⑤ | トップテープ TOP TAPE | ポリエチレン(PE), その他 POLYETHYLENE(PE), OTHER |
| ⑥ | リール REEL | ポリスチレン(PS), [リサイクル材を含む] POLYSTYRENE(PS) [RECYCLE MATERIAL CONTAINED] |

| | | | | |
|------|------|------|------------------------------------|--------------------|
| 61.4 | 57.4 | 26.2 | 56±0.3 | 16 |
| | | | | 15 |
| | | | | 14 |
| | | | | 13 |
| | | | | 12 |
| 49.4 | 45.4 | 20.2 | 44±0.3 | 11 |
| | | | | 10 |
| | | | | 9 |
| | | | | 8 |
| | | | | 7 |
| 37.4 | 33.4 | 14.2 | 32±0.3 | 6 |
| | | | | 5 |
| | | | | 4 |
| 29.4 | 25.4 | 11.5 | 24 ^{+0.3} _{-0.1} | 3 |
| | | | | 2 |
| H | G | F | E | 極数 CIRCUIT SIZE |

THIS DRAWING CONTAINS INFORMATION THAT IS PROPRIETARY TO MOLEX ELECTRONIC TECHNOLOGIES, LLC AND SHOULD NOT BE USED WITHOUT WRITTEN PERMISSION

| DIMENSION UNITS | SCALE | CURRENT REV DESC. |
|------------------------------------------------------|---------|-----------------------------|
| mm | NTS | |
| GENERAL TOLERANCES (UNLESS SPECIFIED) | | |
| ANGULAR TOL | ± 3.0 ° | |
| 4 PLACES | ± 0.2 | EC NO: 718854 |
| 3 PLACES | ± 0.2 | DRWN: SOKUMURA01 2023/02/28 |
| 2 PLACES | ± 0.2 | CHK'D: SAKIYAMA 2023/08/04 |
| 1 PLACE | ± 0.2 | APPR: MARAI 2023/08/04 |
| 0 PLACES | ± 0.2 | INITIAL REVISION: |
| | | DRWN: TENAGASE 2016/05/12 |
| | | APPR: TKANEKO 2016/06/23 |
| DRAFT WHERE APPLICABLE MUST REMAIN WITHIN DIMENSIONS | | THIRD ANGLE PROJECTION |
| | | DRAWING |
| | | SERIES |
| | | MATERIAL NUMBER |
| | | CUSTOMER |
| | | SHEET NUMBER |

molex

MICRO-LOCK PLUS 2.0 W/B
SINGLE ROW RIGHT ANGLE SMT PLUG ASSEMBLY
TIN PLATING

PRODUCT CUSTOMER DRAWING

DOCUMENT NUMBER: 5055780001
DOC TYPE: PSD
DOC PART: 000
REVISION: C

SEE SHEET 1
GENERAL
4 OF 4