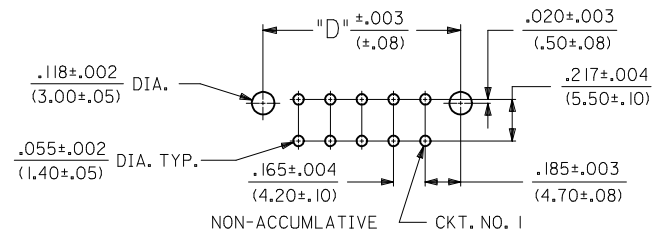


CIRCUIT SIZE	DIM. "A"	DIM. "B"	DIM. "C"	DIM. "D"	DIM. "E"
2	.520 (13.20)	—	.425 (10.80)	.370 (9.40)	.21 (5.4)
4	.685 (17.40)	.17 (4.2)	.590 (15.00)	.535 (13.60)	.38 (9.6)
6	.850 (21.60)	.33 (8.4)	.756 (19.20)	.701 (17.80)	.54 (13.8)
8	1.016 (25.80)	.50 (12.6)	.921 (23.40)	.866 (22.00)	.71 (18.0)
10	1.181 (30.00)	.66 (16.8)	1.087 (27.60)	1.031 (26.20)	.87 (22.2)
12	1.346 (34.20)	.83 (21.0)	1.252 (31.80)	1.197 (30.40)	1.04 (26.4)
14	1.512 (38.40)	.99 (25.2)	1.417 (36.00)	1.362 (34.60)	1.20 (30.6)
16	1.677 (42.60)	1.16 (29.4)	1.583 (40.20)	1.528 (38.80)	1.37 (34.8)
18	1.843 (46.80)	1.32 (33.6)	1.748 (44.40)	1.693 (43.00)	1.54 (39.0)
20	2.008 (51.00)	1.49 (37.8)	1.913 (48.60)	1.858 (47.20)	1.70 (43.2)
22	2.173 (55.20)	1.65 (42.0)	2.079 (52.80)	2.024 (51.40)	1.87 (47.4)
24	2.339 (59.40)	1.82 (46.2)	2.244 (57.00)	2.189 (55.60)	2.03 (51.6)

LEGEND:
 A - 42440 - *** *
 BASE NUMBER ——— PLATING (SEE NOTE 2.)
 CIRCUIT SIZE (02-24) ——— HOUSING MAT'L. & OPTIONS (SEE NOTE 1.)



RECOMMENDED HOLE LAYOUT FOR .070/(1.78) MAX. THICK P.C. BOARD
 (SCALE: 2X)

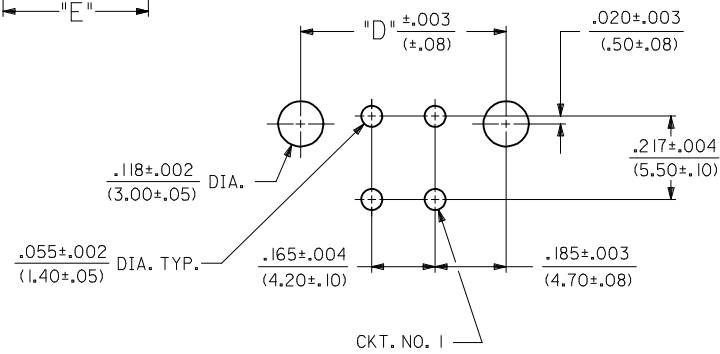
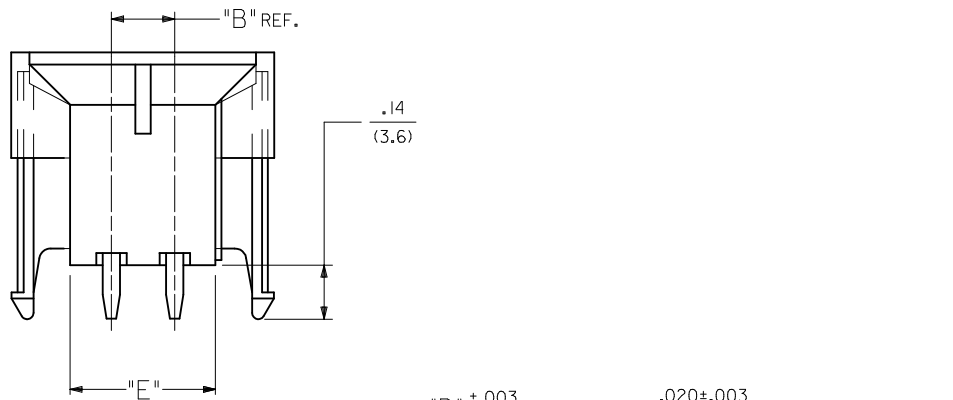
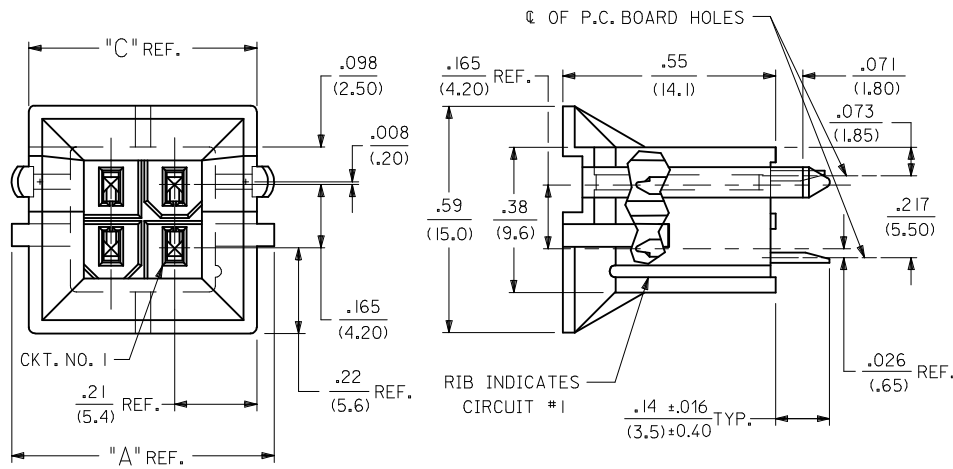
---	22, ---23	42474-***21, 5556-GS*P	94V-0	BRASS	GOLD
---	12, ---13	42474-***11, 5556-GS*P	94V-2	BRASS	TIN
---	21	42474-***21, 5556-S*P	94V-0	BRASS	TIN
---	11	42474-***11, 5556-S*P	94V-2	BRASS	TIN
---	22, ---23,	A-42385-***B2, ---B4	94V-0	BRASS	GOLD
---	12, ---13,	A-42385-***A2, ---A4	94V-2	BRASS	GOLD
---	21	A-42385-***B1	94V-0	BRASS	TIN
---	11	A-42385-***A1	94V-2	BRASS	TIN
VERT. HEADER A-42440		MATING CONNECTOR	HSG. MAT'L. TERM. MAT'L. PLATING MATING CONNECTOR FEATURES		

ADD 0.40 TOL	2012/08/20	QUALITY SYMBOLS
EC NO: UCP2013-0706	2012/08/20	▽=0
DRW: NGUYEN	2012/08/20	▽=0
CHKD: JELL	2012/09/05	▽=0
APPR: FSMITH		
REV	DESCRIPTION	
Q5		

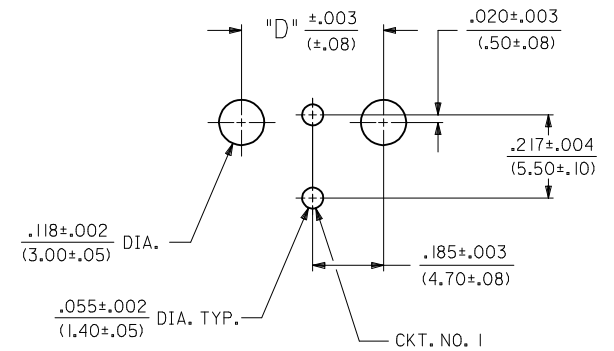
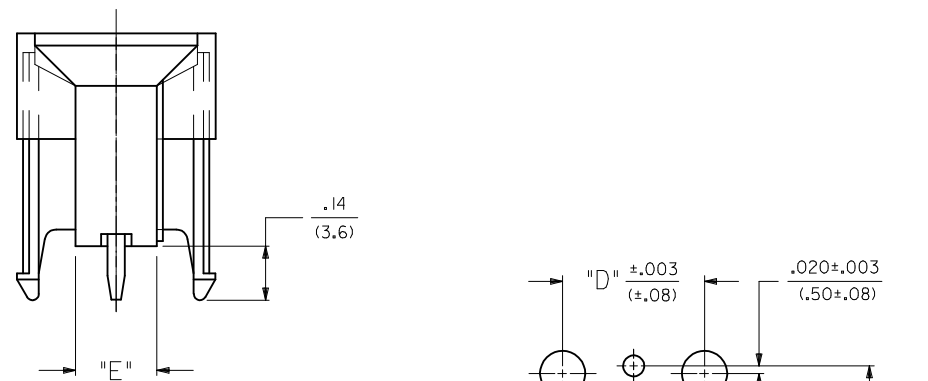
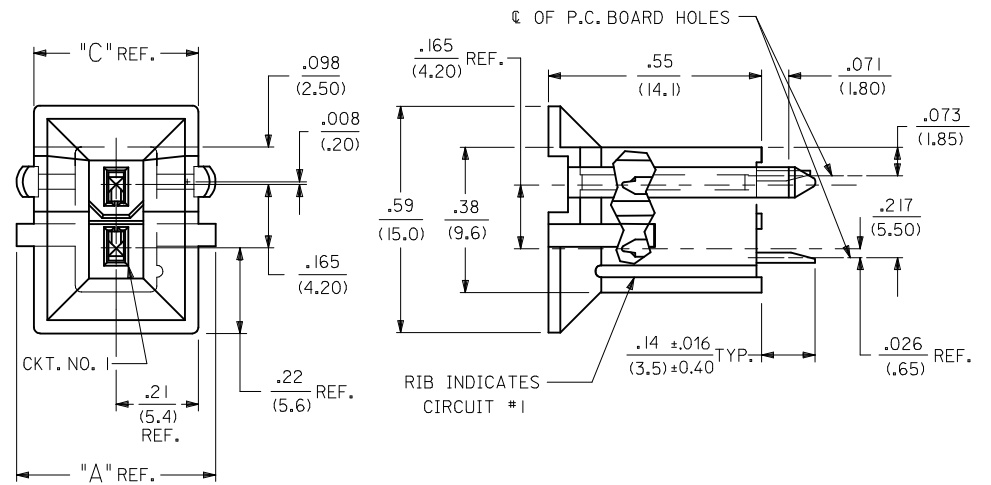
GENERAL TOLERANCES (UNLESS SPECIFIED)
 mm INCH
 4 PLACES ± --- ± ---
 3 PLACES ± --- ± .010
 2 PLACES ± 0.25 ± .015
 1 PLACE ± 0.38 ± ---
 ANGULAR ± 5 °
 DRAFT WHERE APPLICABLE
 MUST REMAIN WITHIN DIMENSIONS

DIMENSION STYLE IN/MM
 SCALE 4:1
 DESIGN UNITS METRIC
 THIRD ANGLE PROJECTION
 DRAWN BY DATE GEP 1989/04/06
 CHECKED BY DATE RJJF 1989/04/06
 APPROVED BY DATE FSMITH 2011/02/11
 MATERIAL NO. SEE CHART
 DOCUMENT NO. SDA-42440-****

MOLEX INCORPORATED
 SHEET NO. 1 OF 4
 THIS DRAWING CONTAINS INFORMATION THAT IS PROPRIETARY TO MOLEX INCORPORATED AND SHOULD NOT BE USED WITHOUT WRITTEN PERMISSION



RECOMMENDED HOLE LAYOUT FOR .070/(1.78) MAX. THICK P.C. BOARD



RECOMMENDED HOLE LAYOUT FOR .070/(1.78) MAX. THICK P.C. BOARD

SEE SHEET 1 EC NO: UCP2013-0706 DRAWN: NGUYEN CHKD: J.BELL APPR: F.S.MITH 2012/08/20 2012/08/20 2012/09/05	QUALITY SYMBOLS	GENERAL TOLERANCES (UNLESS SPECIFIED)	DIMENSION STYLE	SCALE	DESIGN UNITS	THIRD ANGLE PROJECTION
	▽=0	mm INCH	IN/MM	1:1	METRIC	
	▽=0	4 PLACES ± --- ± ---	DRAWN BY DATE	TITLE		
	▽=0	3 PLACES ± --- ± .010	CHECKED BY DATE	MINI-FIT B.M.I. VERTICAL HEADER ASSY		
	▽=0	2 PLACES ± 0.25 ± .015	RJF 1989/04/06	MOLEX INCORPORATED		
	1 PLACE ± 0.38 ± ---	APPROVED BY DATE	MATERIAL NO. DOCUMENT NO.			
		F.S.MITH 2011/02/11	SDA-42440-****			
		ANGULAR ± 5 °	SEE CHART			
		DRAFT WHERE APPLICABLE MUST REMAIN WITHIN DIMENSIONS	THIS DRAWING CONTAINS INFORMATION THAT IS PROPRIETARY TO MOLEX INCORPORATED AND SHOULD NOT BE USED WITHOUT WRITTEN PERMISSION			
			SHEET NO. 2 OF 4			


NOTES:

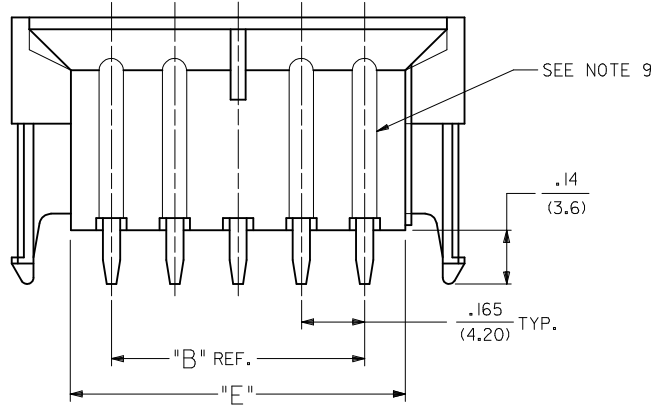
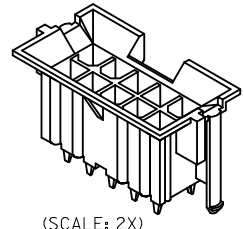
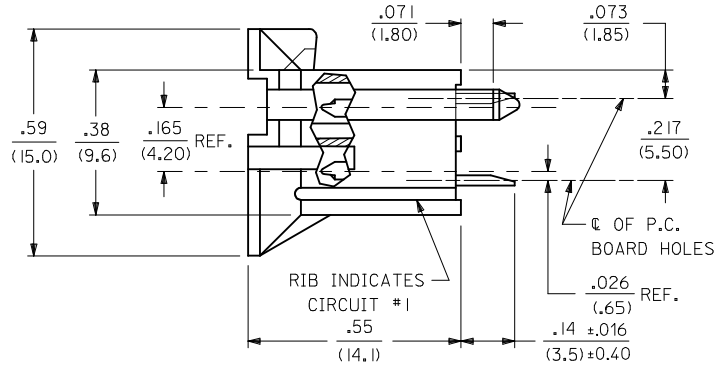
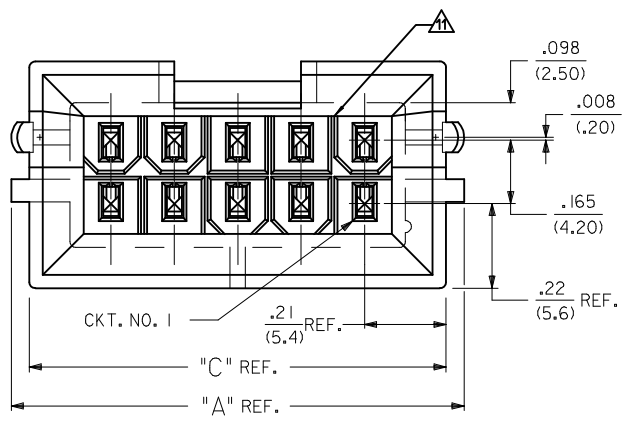
- 1) MATERIAL:
HOUSING MATERIAL:
1 = NYLON 6/6, UNFILLED UL 94V-2, COLOR: NATURAL
2 = NYLON 6/6, UNFILLED UL 94V-0, COLOR: NATURAL
TERMINALS: BRASS
- 2) TERMINAL PLATING:
S = .000100/(0.00254) MIN. BRIGHT TIN OVER .000050/(0.00127) MIN. NICKEL
GS = .000030/(0.00076) MIN. SELECT GOLD AND .000100/(0.00254) MIN.
SELECT MATTE TIN OVER .000050/(.00127) MIN. NICKEL OVERALL
GS3 = .000050/(0.00127) MIN. SELECT GOLD AND .000100/(0.00254) MIN.
SELECT MATTE TIN OVER .000050/(.00127) MIN. NICKEL OVERALL
- 3) PRODUCT SPECIFICATION: PS-5556-002
- 4) PACKAGING: SEE CHARTS
- 5) 6-24 CIRCUIT PARTS MATE WITH MINI-FIT JR. RECEPTACLES 5557, 42474, 44516 AND HEADERS 42385; 2 AND 4 CIRCUIT PARTS MATE WITH 42385,44516 AND 42474 ONLY.
- 6) PART ALLOWS FOR UP TO .100/(2.54) MISALIGNMENT WITH MATING RECEPTACLE IN ANY DIRECTION. SEE MATING CONNECTOR DRAWINGS FOR SPECIFIC ALLOWANCES.
- 7) CONNECTOR IS NOT DESIGNED FOR CURRENT SHARING.
- 8) CONNECTOR ASSEMBLIES ARE NOT BE MATED OR UNMATED WHILE CIRCUITS ARE LIVE.
- 9) RIB LOCATION IS DETERMINED BY MOLD DESIGN FOR MANUFACTURING EASE AND THE LOCATION DOES NOT AFFECT PART FUNCTION OR PERFORMANCE. LOCATION OF RIBS MAY VARY ON PARTS WITHIN MAUFACTURING LOT OR SHIPMENT. THIS DRAWING SHOWS TYPICAL RIB LOCATIONS.
- 10) PART CONFORMS TO CLASS "B" REQUIREMENTS OF COSMETIC SPECIFICATION PS-45499-002.
- 11) 12 CIRCUIT PARTS HAVE A SLOT BETWEEN CIRCUITS 7 AND 8.

SEE SHEET 1 EC NO: UCP2013-0706 DRAWING: NGUYEN 2012/08/20 CHKD: BELLS 2012/08/20 APPR: FSMITH 2012/09/05 Q5	QUALITY SYMBOLS	GENERAL TOLERANCES (UNLESS SPECIFIED)		DIMENSION STYLE IN/MM		SCALE 1:1	DESIGN UNITS METRIC	THIRD ANGLE PROJECTION	
		mm	INCH	DRAWN BY GEP	DATE 1989/04/06	TITLE MINI-FIT B.M.I. VERTICAL HEADER ASSY			
		4 PLACES ± ---	± ---	CHECKED BY RJF	DATE 1989/04/06				
		3 PLACES ± ---	± .010	APPROVED BY FSMITH	DATE 2011/02/11				
			2 PLACES ± 0.25	± .015	MATERIAL NO. SEE CHART		DOCUMENT NO. SDA-42440-****		SHEET NO. 3 OF 4
		1 PLACE ± 0.38	± ---	DRAFT WHERE APPLICABLE MUST REMAIN WITHIN DIMENSIONS SIZE C THIS DRAWING CONTAINS INFORMATION THAT IS PROPRIETARY TO MOLEX INCORPORATED AND SHOULD NOT BE USED WITHOUT WRITTEN PERMISSION					

13	12	11	10	9	8	7	6	5	4	3	2	1			
PLATING: TIN (SEE NOTE 2 OPTION 'S')				PLATING: TIN (SEE NOTE 2 OPTION 'S')				PLATING: 30 M.I. SELECT GOLD (SEE NOTE 2 OPTION 'GS')				PLATING: 30 M.I. SELECT GOLD (SEE NOTE 2 OPTION 'GS')			
DRAINS: WITHOUT DRAIN HOLES				DRAINS: WITHOUT DRAIN HOLES				DRAINS: WITHOUT DRAIN HOLES				DRAINS: WITHOUT DRAIN HOLES			
PEGS: WITH PEGS				PEGS: WITH PEGS				PEGS: WITH PEGS				PEGS: WITH PEGS			
MAT'L: 94V-2 [NATURAL]				MAT'L: 94V-0 [NATURAL]				MAT'L: 94V-2 [NATURAL]				MAT'L: 94V-0 [NATURAL]			
PACKAGING: TRAY PER PK-42440-001				PACKAGING: TRAY PER PK-42440-001				PACKAGING: TRAY PER PK-42440-001				PACKAGING: TRAY PER PK-42440-001			
PART NO.	ENG NO.		CKTS	PART NO.	ENG NO.		CKTS	PART NO.	ENG NO.		CKTS	PART NO.	ENG NO.		CKTS
NO EDP	A-42440-021I	-	2	NO EDP	A-42440-022I	-	2	NO EDP	A-42440-0212	-	2	NO EDP	A-42440-0222	-	2
15-24-6041	A-42440-041I	-	4	15-24-6042	A-42440-042I	-	4	15-28-6041	A-42440-0412	-	4	15-28-6042	A-42440-0422	-	4
15-24-6061	A-42440-061I	-	6	15-24-6062	A-42440-062I	-	6	15-28-6061	A-42440-0612	-	6	15-28-6062	A-42440-0622	-	6
NO EDP	A-42440-081I	-	8	NO EDP	A-42440-082I	-	8	NO EDP	A-42440-0812	-	8	NO EDP	A-42440-0822	-	8
15-24-6101	A-42440-101I	-	10	15-24-6102	A-42440-102I	-	10	15-28-6101	A-42440-1012	-	10	15-28-6102	A-42440-1022	-	10
15-24-6121	A-42440-121I	-	12	15-24-6122	A-42440-122I	-	12	15-28-6121	A-42440-1212	-	12	15-28-6122	A-42440-1222	-	12
15-24-6141	A-42440-141I	-	14	15-24-6142	A-42440-142I	-	14	15-28-6141	A-42440-1412	-	14	15-28-6142	A-42440-1422	-	14
15-24-6161	A-42440-161I	-	16	15-24-6162	A-42440-162I	-	16	15-28-6161	A-42440-1612	-	16	NO EDP	A-42440-1622	-	16
15-24-6181	A-42440-181I	-	18	15-24-6182	A-42440-182I	-	18	15-28-6181	A-42440-1812	-	18	15-28-6182	A-42440-1822	-	18
NO EDP	A-42440-201I	-	20	NO EDP	A-42440-202I	-	20	NO EDP	A-42440-2012	-	20	NO EDP	A-42440-2022	-	20
NO EDP	A-42440-221I	-	22	NO EDP	A-42440-222I	-	22	NO EDP	A-42440-2212	-	22	NO EDP	A-42440-2222	-	22
15-24-6241	A-42440-241I	-	24	15-24-6242	A-42440-242I	-	24	15-28-6241	A-42440-2412	-	24	15-28-6242	A-42440-2422	-	24
	-	-			-	-			-	-			-	-	
	-	-			-	-			-	-			-	-	

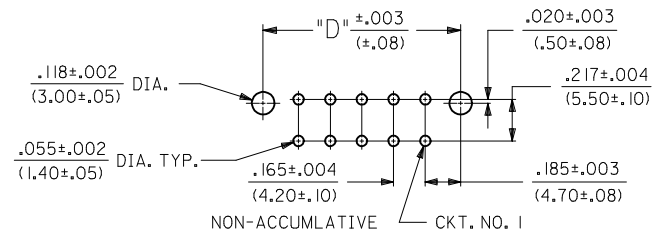
PLATING: 50 M.I. SELECT GOLD (SEE NOTE 2 OPTION 'GS3')				PLATING: 50 M.I. SELECT GOLD (SEE NOTE 2 OPTION 'GS3')				PLATING:				PLATING:			
DRAINS: WITHOUT DRAIN HOLES				DRAINS: WITHOUT DRAIN HOLES				DRAINS:				DRAINS:			
PEGS: WITH PEGS				PEGS: WITH PEGS				PEGS:				PEGS:			
MAT'L: 94V-2 [NATURAL]				MAT'L: 94V-0 [NATURAL]				MAT'L:				MAT'L:			
PACKAGING: TRAY PER PK-42440-001				PACKAGING: TRAY PER PK-42440-001				PACKAGING:				PACKAGING:			
PART NO.	ENG NO.		CKTS	PART NO.	ENG NO.		CKTS	PART NO.	ENG NO.		CKTS	PART NO.	ENG NO.		CKTS
NO EDP	A-42440-0213	-	2	NO EDP	A-42440-0223	-	2	NO EDP	-	-	2	NO EDP	-	-	2
NO EDP	A-42440-0413	-	4	NO EDP	A-42440-0423	-	4	NO EDP	-	-	4	NO EDP	-	-	4
NO EDP	A-42440-0613	-	6	NO EDP	A-42440-0623	-	6	NO EDP	-	-	6	NO EDP	-	-	6
NO EDP	A-42440-0813	-	8	NO EDP	A-42440-0823	-	8	NO EDP	-	-	8	NO EDP	-	-	8
NO EDP	A-42440-1013	-	10	NO EDP	A-42440-1023	-	10	NO EDP	-	-	10	NO EDP	-	-	10
NO EDP	A-42440-1213	-	12	NO EDP	A-42440-1223	-	12	NO EDP	-	-	12	NO EDP	-	-	12
NO EDP	A-42440-1413	-	14	NO EDP	A-42440-1423	-	14	NO EDP	-	-	14	NO EDP	-	-	14
NO EDP	A-42440-1613	-	16	NO EDP	A-42440-1623	-	16	NO EDP	-	-	16	NO EDP	-	-	16
NO EDP	A-42440-1813	-	18	NO EDP	A-42440-1823	-	18	NO EDP	-	-	18	NO EDP	-	-	18
NO EDP	A-42440-2013	-	20	NO EDP	A-42440-2023	-	20	NO EDP	-	-	20	NO EDP	-	-	20
NO EDP	A-42440-2213	-	22	NO EDP	A-42440-2223	-	22	NO EDP	-	-	22	NO EDP	-	-	22
NO EDP	A-42440-2413	-	24	NO EDP	A-42440-2423	-	24	NO EDP	-	-	24	NO EDP	-	-	24
	-	-			-	-			-	-			-	-	
	-	-			-	-			-	-			-	-	

SEE SHEET 1 EC NO: UCP2013-0706 DRAWING: NGUYEN 2012/08/20 CHKD: J.BELL 2012/08/20 APPR: FSMITH	QUALITY SYMBOLS ▽=0 ▽=0 ▽=0	GENERAL TOLERANCES (UNLESS SPECIFIED)		DIMENSION STYLE IN/MM		SCALE 1:1	DESIGN UNITS METRIC	THIRD ANGLE PROJECTION		
		4 PLACES ± --- ± ---		DRAWN BY GEP		DATE 1989/04/06		MINI-FIT B.M.I. VERTICAL HEADER ASSY		
		3 PLACES ± --- ± .010		CHECKED BY R.J.F.		DATE 1989/04/06				
		2 PLACES ± 0.25 ± .015		APPROVED BY FSMITH		DATE 2011/02/11		 MOLEX INCORPORATED		
1 PLACE ± 0.38 ± ---		ANGULAR ± 5 °		MATERIAL NO.		DOCUMENT NO.		SHEET NO.		
DRAFT WHERE APPLICABLE MUST REMAIN WITHIN DIMENSIONS				SEE CHART		SDA-42440-****		4 OF 4		
THIS DRAWING CONTAINS INFORMATION THAT IS PROPRIETARY TO MOLEX INCORPORATED AND SHOULD NOT BE USED WITHOUT WRITTEN PERMISSION										



CIRCUIT SIZE	DIM. "A"	DIM. "B"	DIM. "C"	DIM. "D"	DIM. "E"
2	.520 (13.20)	—	.425 (10.80)	.370 (9.40)	.21 (5.4)
4	.685 (17.40)	.17 (4.2)	.590 (15.00)	.535 (13.60)	.38 (9.6)
6	.850 (21.60)	.33 (8.4)	.756 (19.20)	.701 (17.80)	.54 (13.8)
8	1.016 (25.80)	.50 (12.6)	.921 (23.40)	.866 (22.00)	.71 (18.0)
10	1.181 (30.00)	.66 (16.8)	1.087 (27.60)	1.031 (26.20)	.87 (22.2)
12	1.346 (34.20)	.83 (21.0)	1.252 (31.80)	1.197 (30.40)	1.04 (26.4)
14	1.512 (38.40)	.99 (25.2)	1.417 (36.00)	1.362 (34.60)	1.20 (30.6)
16	1.677 (42.60)	1.16 (29.4)	1.583 (40.20)	1.528 (38.80)	1.37 (34.8)
18	1.843 (46.80)	1.32 (33.6)	1.748 (44.40)	1.693 (43.00)	1.54 (39.0)
20	2.008 (51.00)	1.49 (37.8)	1.913 (48.60)	1.858 (47.20)	1.70 (43.2)
22	2.173 (55.20)	1.65 (42.0)	2.079 (52.80)	2.024 (51.40)	1.87 (47.4)
24	2.339 (59.40)	1.82 (46.2)	2.244 (57.00)	2.189 (55.60)	2.03 (51.6)

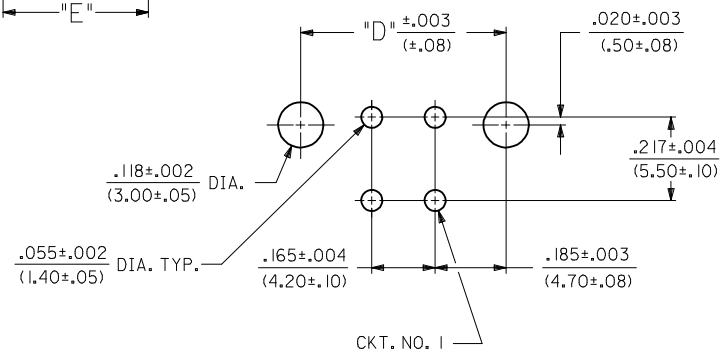
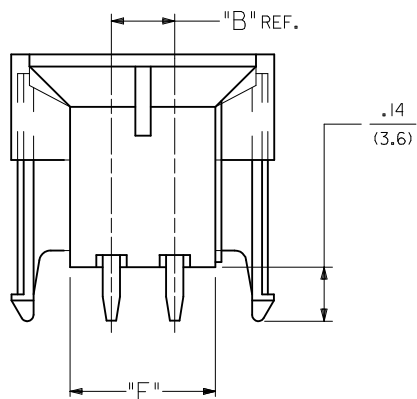
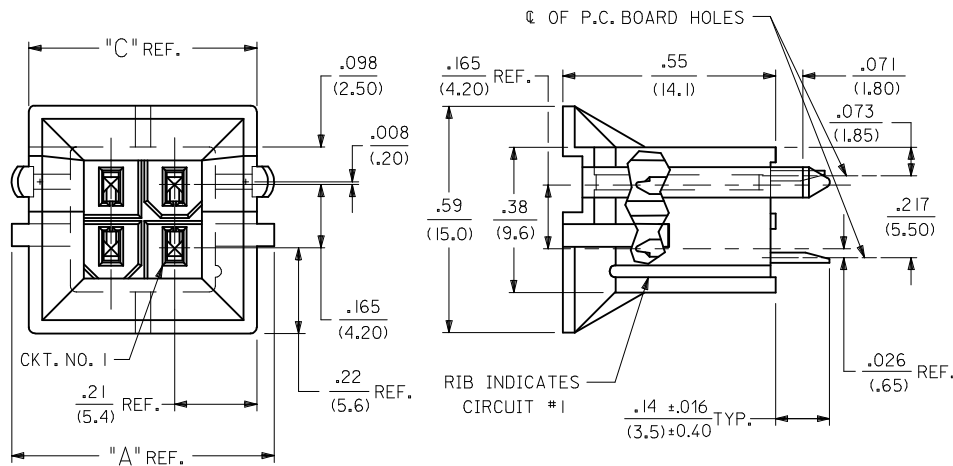
LEGEND:
 A - 42440 - *** *
 BASE NUMBER ——— PLATING (SEE NOTE 2.)
 CIRCUIT SIZE (02-24) ——— HOUSING MAT'L. & OPTIONS (SEE NOTE 1.)



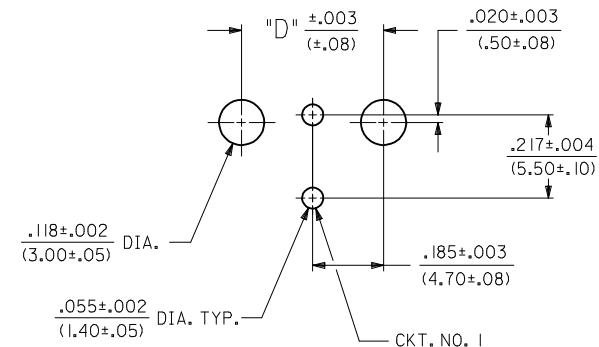
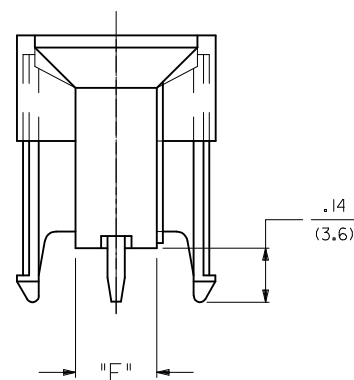
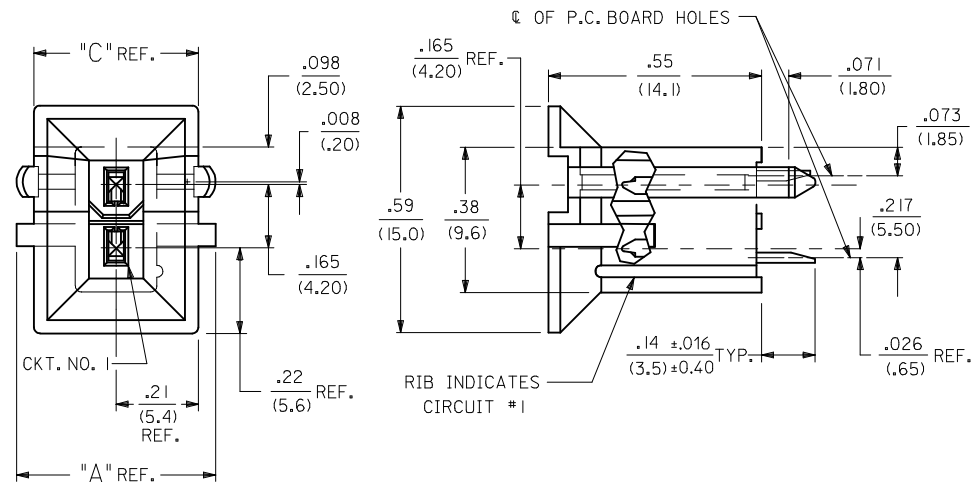
RECOMMENDED HOLE LAYOUT FOR .070/(1.78) MAX. THICK P.C. BOARD
 (SCALE: 2X)

---	22, ---23	42474-***21, 5556-GS*P	94V-0	BRASS	GOLD
---	12, ---13	42474-***11, 5556-GS*P	94V-2	BRASS	TIN
---	21	42474-***21, 5556-S*P	94V-0	BRASS	TIN
---	11	42474-***11, 5556-S*P	94V-2	BRASS	TIN
---	22, ---23,	A-42385-***B2, ---B4	94V-0	BRASS	GOLD
---	12, ---13,	A-42385-***A2, ---A4	94V-2	BRASS	TIN
---	21	A-42385-***B1	94V-0	BRASS	TIN
---	11	A-42385-***A1	94V-2	BRASS	TIN
VERT. HEADER A-42440		MATING CONNECTOR	HSG. MAT'L. TERM. MAT'L. PLATING MATING CONNECTOR FEATURES		

ADD 0.40 TOL EC NO: UCP2013-0706 DRAWING: NGUYEN CHKD: J. BELL APPR: F. SMITH	2012/08/20 2012/08/20 2012/09/05	QUALITY SYMBOLS ▽=0 ▽=0 ▽=0	GENERAL TOLERANCES (UNLESS SPECIFIED)		DIMENSION STYLE IN/MM		SCALE 4:1	DESIGN UNITS METRIC	THIRD ANGLE PROJECTION
			mm	INCH	DRAWN BY GEP	DATE 1989/04/06	TITLE MINI-FIT B.M.I. VERTICAL HEADER ASSY		
DRAFT WHERE APPLICABLE MUST REMAIN WITHIN DIMENSIONS			4 PLACES ± --- ± ---	3 PLACES ± --- ± .010	CHECKED BY R.J.F.	DATE 1989/04/06	MATERIAL NO. SEE CHART		
			2 PLACES ± 0.25 ± .015	1 PLACE ± 0.38 ± ---	APPROVED BY F. SMITH	DATE 2011/02/11			
THIS DRAWING CONTAINS INFORMATION THAT IS PROPRIETARY TO MOLEX INCORPORATED AND SHOULD NOT BE USED WITHOUT WRITTEN PERMISSION									



RECOMMENDED HOLE LAYOUT FOR .070/(1.78) MAX. THICK P.C. BOARD



RECOMMENDED HOLE LAYOUT FOR .070/(1.78) MAX. THICK P.C. BOARD

SEE SHEET 1 EC NO: UCP2013-0706 DRAWN: NGUYEN CHKD: J.BELL APPR: F.S.MITH 2012/08/20 2012/08/20 2012/09/05	QUALITY SYMBOLS	GENERAL TOLERANCES (UNLESS SPECIFIED)	DIMENSION STYLE	SCALE	DESIGN UNITS	THIRD ANGLE PROJECTION
	▽=0	mm INCH	IN/MM	1:1	METRIC	
	▽=0	4 PLACES ± --- ± ---	DRAWN BY DATE	TITLE		
	▽=0	3 PLACES ± --- ± .010	GEP 1989/04/06	MINI-FIT B.M.I. VERTICAL HEADER ASSY		
	▽=0	2 PLACES ± 0.25 ± .015	RJF 1989/04/06	MOLEX INCORPORATED		
	1 PLACE ± 0.38 ± ---	APPROVED BY DATE	MATERIAL NO. DOCUMENT NO.			
		F.S.MITH 2011/02/11	SDA-42440-****			
		ANGULAR ± 5 °	SHEET NO. 2 OF 4			
		DRAFT WHERE APPLICABLE MUST REMAIN WITHIN DIMENSIONS	THIS DRAWING CONTAINS INFORMATION THAT IS PROPRIETARY TO MOLEX INCORPORATED AND SHOULD NOT BE USED WITHOUT WRITTEN PERMISSION			

NOTES:

- 1) MATERIAL:
HOUSING MATERIAL:
1 = NYLON 6/6, UNFILLED UL 94V-2, COLOR: NATURAL
2 = NYLON 6/6, UNFILLED UL 94V-0, COLOR: NATURAL
TERMINALS: BRASS
- 2) TERMINAL PLATING:
S = .000100/(0.00254) MIN. BRIGHT TIN OVER .000050/(0.00127) MIN. NICKEL
GS = .000030/(0.00076) MIN. SELECT GOLD AND .000100/(0.00254) MIN.
SELECT MATTE TIN OVER .000050/(.00127) MIN. NICKEL OVERALL
GS3 = .000050/(0.00127) MIN. SELECT GOLD AND .000100/(0.00254) MIN.
SELECT MATTE TIN OVER .000050/(.00127) MIN. NICKEL OVERALL
- 3) PRODUCT SPECIFICATION: PS-5556-002
- 4) PACKAGING: SEE CHARTS
- 5) 6-24 CIRCUIT PARTS MATE WITH MINI-FIT JR. RECEPTACLES 5557, 42474, 44516 AND HEADERS 42385; 2 AND 4 CIRCUIT PARTS MATE WITH 42385,44516 AND 42474 ONLY.
- 6) PART ALLOWS FOR UP TO .100/(2.54) MISALIGNMENT WITH MATING RECEPTACLE IN ANY DIRECTION. SEE MATING CONNECTOR DRAWINGS FOR SPECIFIC ALLOWANCES.
- 7) CONNECTOR IS NOT DESIGNED FOR CURRENT SHARING.
- 8) CONNECTOR ASSEMBLIES ARE NOT BE MATED OR UNMATED WHILE CIRCUITS ARE LIVE.
- 9) RIB LOCATION IS DETERMINED BY MOLD DESIGN FOR MANUFACTURING EASE AND THE LOCATION DOES NOT AFFECT PART FUNCTION OR PERFORMANCE. LOCATION OF RIBS MAY VARY ON PARTS WITHIN MAUFACTURING LOT OR SHIPMENT. THIS DRAWING SHOWS TYPICAL RIB LOCATIONS.
- 10) PART CONFORMS TO CLASS "B" REQUIREMENTS OF COSMETIC SPECIFICATION PS-45499-002.
- 11) 12 CIRCUIT PARTS HAVE A SLOT BETWEEN CIRCUITS 7 AND 8.

SEE SHEET 1 EC NO: UCP2013-0706 DRAWING: NGUYEN 2012/08/20 CHKD: BELLE 2012/08/20 APPR: FSMITH 2012/09/05	QUALITY SYMBOLS	GENERAL TOLERANCES (UNLESS SPECIFIED)		DIMENSION STYLE IN/MM		SCALE 1:1	DESIGN UNITS METRIC	THIRD ANGLE PROJECTION	
	▽=0	mm	INCH	DRAWN BY GEP	DATE 1989/04/06	TITLE MINI-FIT B.M.I. VERTICAL HEADER ASSY			
	▽=0	4 PLACES ± --- ± ---	3 PLACES ± --- ± .010	CHECKED BY RJF	DATE 1989/04/06				
	▽=0	2 PLACES ± 0.25 ± .015	1 PLACE ± 0.38 ± ---	APPROVED BY FSMITH	DATE 2011/02/11				
		ANGULAR ± 5 °		MATERIAL NO. SEE CHART		DOCUMENT NO. SDA-42440-****		SHEET NO. 3 OF 4	
	DRAFT WHERE APPLICABLE MUST REMAIN WITHIN DIMENSIONS		SIZE C		THIS DRAWING CONTAINS INFORMATION THAT IS PROPRIETARY TO MOLEX INCORPORATED AND SHOULD NOT BE USED WITHOUT WRITTEN PERMISSION				

13	12	11	10	9	8	7	6	5	4	3	2	1			
PLATING: TIN (SEE NOTE 2 OPTION 'S')				PLATING: TIN (SEE NOTE 2 OPTION 'S')				PLATING: 30 M.I. SELECT GOLD (SEE NOTE 2 OPTION 'GS')				PLATING: 30 M.I. SELECT GOLD (SEE NOTE 2 OPTION 'GS')			
DRAINS: WITHOUT DRAIN HOLES				DRAINS: WITHOUT DRAIN HOLES				DRAINS: WITHOUT DRAIN HOLES				DRAINS: WITHOUT DRAIN HOLES			
PEGS: WITH PEGS				PEGS: WITH PEGS				PEGS: WITH PEGS				PEGS: WITH PEGS			
MAT'L: 94V-2 [NATURAL]				MAT'L: 94V-0 [NATURAL]				MAT'L: 94V-2 [NATURAL]				MAT'L: 94V-0 [NATURAL]			
PACKAGING: TRAY PER PK-42440-001				PACKAGING: TRAY PER PK-42440-001				PACKAGING: TRAY PER PK-42440-001				PACKAGING: TRAY PER PK-42440-001			
PART NO.	ENG NO.		CKTS	PART NO.	ENG NO.		CKTS	PART NO.	ENG NO.		CKTS	PART NO.	ENG NO.		CKTS
NO EDP	A-42440-0211	-	2	NO EDP	A-42440-0221	-	2	NO EDP	A-42440-0212	-	2	NO EDP	A-42440-0222	-	2
15-24-6041	A-42440-0411	-	4	15-24-6042	A-42440-0421	-	4	15-28-6041	A-42440-0412	-	4	15-28-6042	A-42440-0422	-	4
15-24-6061	A-42440-0611	-	6	15-24-6062	A-42440-0621	-	6	15-28-6061	A-42440-0612	-	6	15-28-6062	A-42440-0622	-	6
NO EDP	A-42440-0811	-	8	NO EDP	A-42440-0821	-	8	NO EDP	A-42440-0812	-	8	NO EDP	A-42440-0822	-	8
15-24-6101	A-42440-1011	-	10	15-24-6102	A-42440-1021	-	10	15-28-6101	A-42440-1012	-	10	15-28-6102	A-42440-1022	-	10
15-24-6121	A-42440-1211	-	12	15-24-6122	A-42440-1221	-	12	15-28-6121	A-42440-1212	-	12	15-28-6122	A-42440-1222	-	12
15-24-6141	A-42440-1411	-	14	15-24-6142	A-42440-1421	-	14	15-28-6141	A-42440-1412	-	14	15-28-6142	A-42440-1422	-	14
15-24-6161	A-42440-1611	-	16	15-24-6162	A-42440-1621	-	16	15-28-6161	A-42440-1612	-	16	NO EDP	A-42440-1622	-	16
15-24-6181	A-42440-1811	-	18	15-24-6182	A-42440-1821	-	18	15-28-6181	A-42440-1812	-	18	15-28-6182	A-42440-1822	-	18
NO EDP	A-42440-2011	-	20	NO EDP	A-42440-2021	-	20	NO EDP	A-42440-2012	-	20	NO EDP	A-42440-2022	-	20
NO EDP	A-42440-2211	-	22	NO EDP	A-42440-2221	-	22	NO EDP	A-42440-2212	-	22	NO EDP	A-42440-2222	-	22
15-24-6241	A-42440-2411	-	24	15-24-6242	A-42440-2421	-	24	15-28-6241	A-42440-2412	-	24	15-28-6242	A-42440-2422	-	24
	-	-			-	-			-	-			-	-	
	-	-			-	-			-	-			-	-	

PLATING: 50 M.I. SELECT GOLD (SEE NOTE 2 OPTION 'GS3')				PLATING: 50 M.I. SELECT GOLD (SEE NOTE 2 OPTION 'GS3')				PLATING:				PLATING:			
DRAINS: WITHOUT DRAIN HOLES				DRAINS: WITHOUT DRAIN HOLES				DRAINS:				DRAINS:			
PEGS: WITH PEGS				PEGS: WITH PEGS				PEGS:				PEGS:			
MAT'L: 94V-2 [NATURAL]				MAT'L: 94V-0 [NATURAL]				MAT'L:				MAT'L:			
PACKAGING: TRAY PER PK-42440-001				PACKAGING: TRAY PER PK-42440-001				PACKAGING:				PACKAGING:			
PART NO.	ENG NO.		CKTS	PART NO.	ENG NO.		CKTS	PART NO.	ENG NO.		CKTS	PART NO.	ENG NO.		CKTS
NO EDP	A-42440-0213	-	2	NO EDP	A-42440-0223	-	2	NO EDP	-	-	2	NO EDP	-	-	2
NO EDP	A-42440-0413	-	4	NO EDP	A-42440-0423	-	4	NO EDP	-	-	4	NO EDP	-	-	4
NO EDP	A-42440-0613	-	6	NO EDP	A-42440-0623	-	6	NO EDP	-	-	6	NO EDP	-	-	6
NO EDP	A-42440-0813	-	8	NO EDP	A-42440-0823	-	8	NO EDP	-	-	8	NO EDP	-	-	8
NO EDP	A-42440-1013	-	10	NO EDP	A-42440-1023	-	10	NO EDP	-	-	10	NO EDP	-	-	10
NO EDP	A-42440-1213	-	12	NO EDP	A-42440-1223	-	12	NO EDP	-	-	12	NO EDP	-	-	12
NO EDP	A-42440-1413	-	14	NO EDP	A-42440-1423	-	14	NO EDP	-	-	14	NO EDP	-	-	14
NO EDP	A-42440-1613	-	16	NO EDP	A-42440-1623	-	16	NO EDP	-	-	16	NO EDP	-	-	16
NO EDP	A-42440-1813	-	18	NO EDP	A-42440-1823	-	18	NO EDP	-	-	18	NO EDP	-	-	18
NO EDP	A-42440-2013	-	20	NO EDP	A-42440-2023	-	20	NO EDP	-	-	20	NO EDP	-	-	20
NO EDP	A-42440-2213	-	22	NO EDP	A-42440-2223	-	22	NO EDP	-	-	22	NO EDP	-	-	22
NO EDP	A-42440-2413	-	24	NO EDP	A-42440-2423	-	24	NO EDP	-	-	24	NO EDP	-	-	24
	-	-			-	-			-	-			-	-	
	-	-			-	-			-	-			-	-	

SEE SHEET 1 EC NO: UCP2013-0706 DRAWING: NGUYEN 2012/08/20 CHKD: J.BELL 2012/08/20 APPR: F.SMITH	QUALITY SYMBOLS ▽=0 ▽=0 ▽=0	GENERAL TOLERANCES (UNLESS SPECIFIED)		DIMENSION STYLE IN/MM		SCALE 1:1	DESIGN UNITS METRIC	THIRD ANGLE PROJECTION			
		4 PLACES ± --- ± ---	3 PLACES ± --- ± .010	2 PLACES ± 0.25 ± .015	1 PLACE ± 0.38 ± ---	DRAWN BY GEP	DATE 1989/04/06	MINI-FIT B.M.I. VERTICAL HEADER ASSY			
		ANGULAR ± 5 °				CHECKED BY R.J.F.	DATE 1989/04/06				
		DRAFT WHERE APPLICABLE MUST REMAIN WITHIN DIMENSIONS				APPROVED BY F.S.MITH		DATE 2011/02/11	MOLEX INCORPORATED		
				MATERIAL NO. SEE CHART		DOCUMENT NO. SDA-42440-****	SHEET NO. 4 OF 4		THIS DRAWING CONTAINS INFORMATION THAT IS PROPRIETARY TO MOLEX INCORPORATED AND SHOULD NOT BE USED WITHOUT WRITTEN PERMISSION		