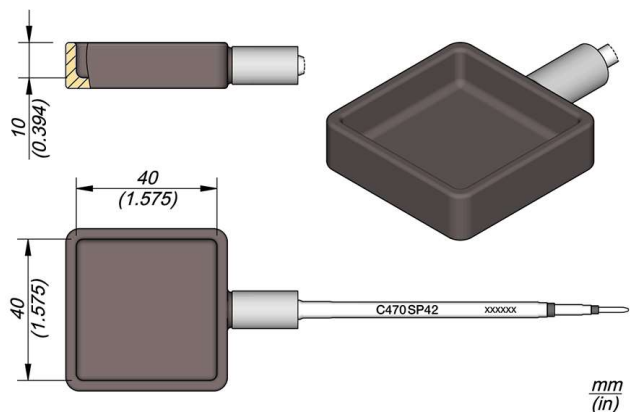


# JBC C470SP42

## Solder Pot Cartridge 40 x 40



CTS Tutorial



This model is ideal for tinning wires and components faster and safer.

This cartridge can be used also to desolder Through Hole Multipin components.

The long-lasting solder pot will resist the corrosiveness of lead free solder alloys.

It works with T470 handles, which can be connected to HDE Control Unit through HDS Stand or CHB Converter.

It should be employed with the CTS Solder Pot Cartridge Stand, which avoids tipping over accidentally and allows you to work safely.

### REFERENCE

C470-SP42

### SPECIFICATIONS

Net weight 0,02 kg (0.04lb)

#### WEIGHT AND DIMENSIONS

18 gr (0.04 lb)

28 gr (0.06 lb)

182 x 60 x 34 mm

## CONNECTABLES

### Compatible tools



T470-A

Heavy Duty Handle



T470-SA

Heavy Duty Handle with 3m cable



T470-ZA

Tri-lobed Grip HD Handle for better handling



T470-FA

Thermal Insulator Grip Heavy Duty Handle

### Stands



CT-SA

Solder Pot Stand