

YASMEEN-70-ZOOM

Infinitely adjustable beam from 15 to 45 degrees

SPECIFICATION:

Dimensions	Ø 70.0
Height	39 mm
Fastening	socket
ROHS compliant	yes ⓘ

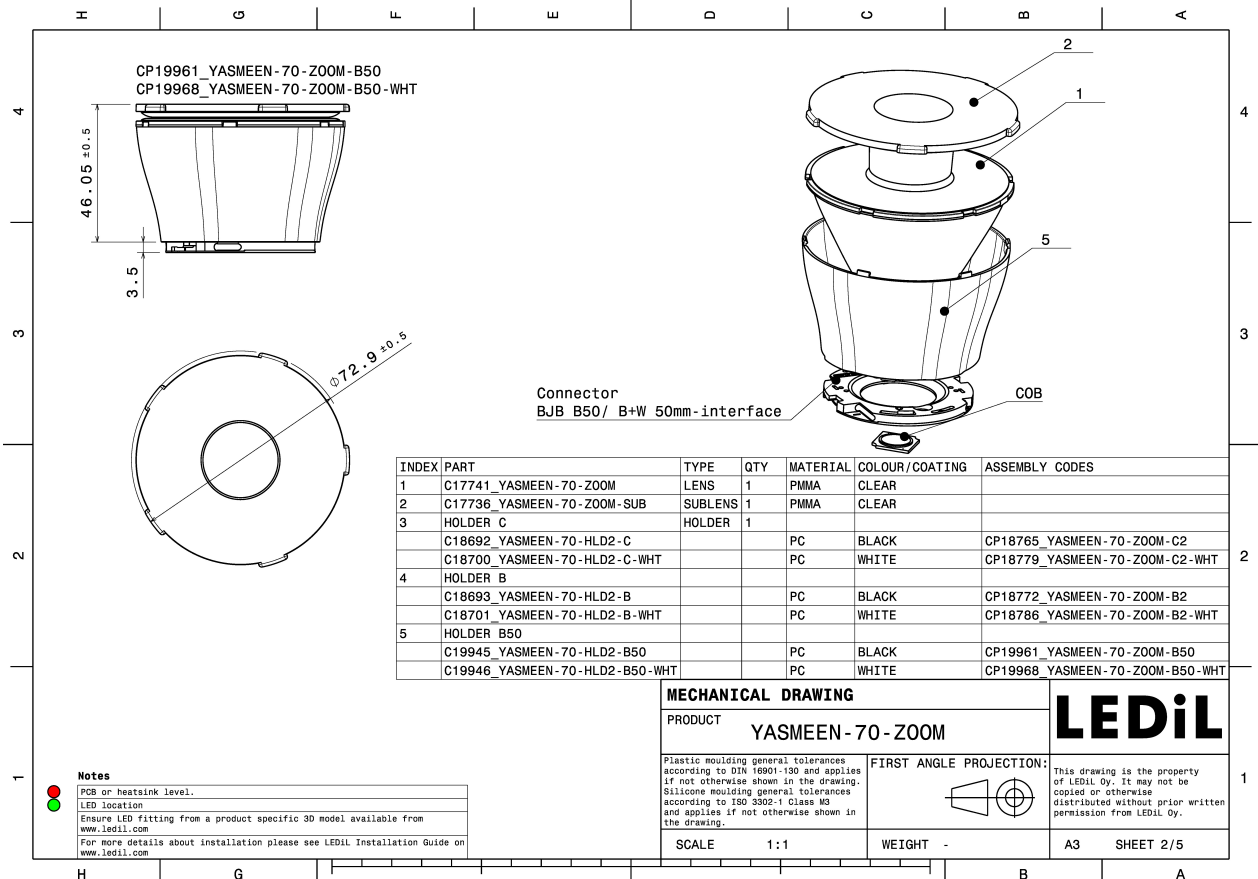
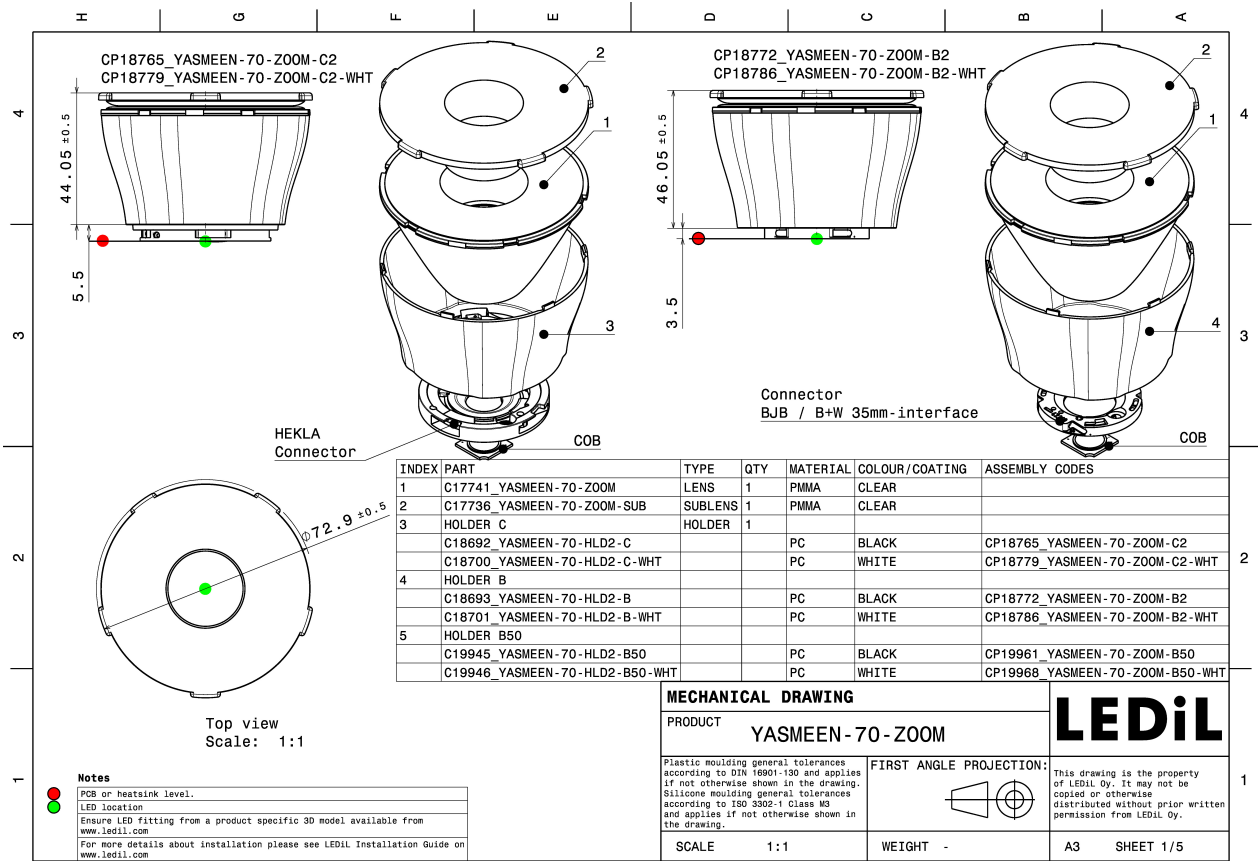
MATERIALS:

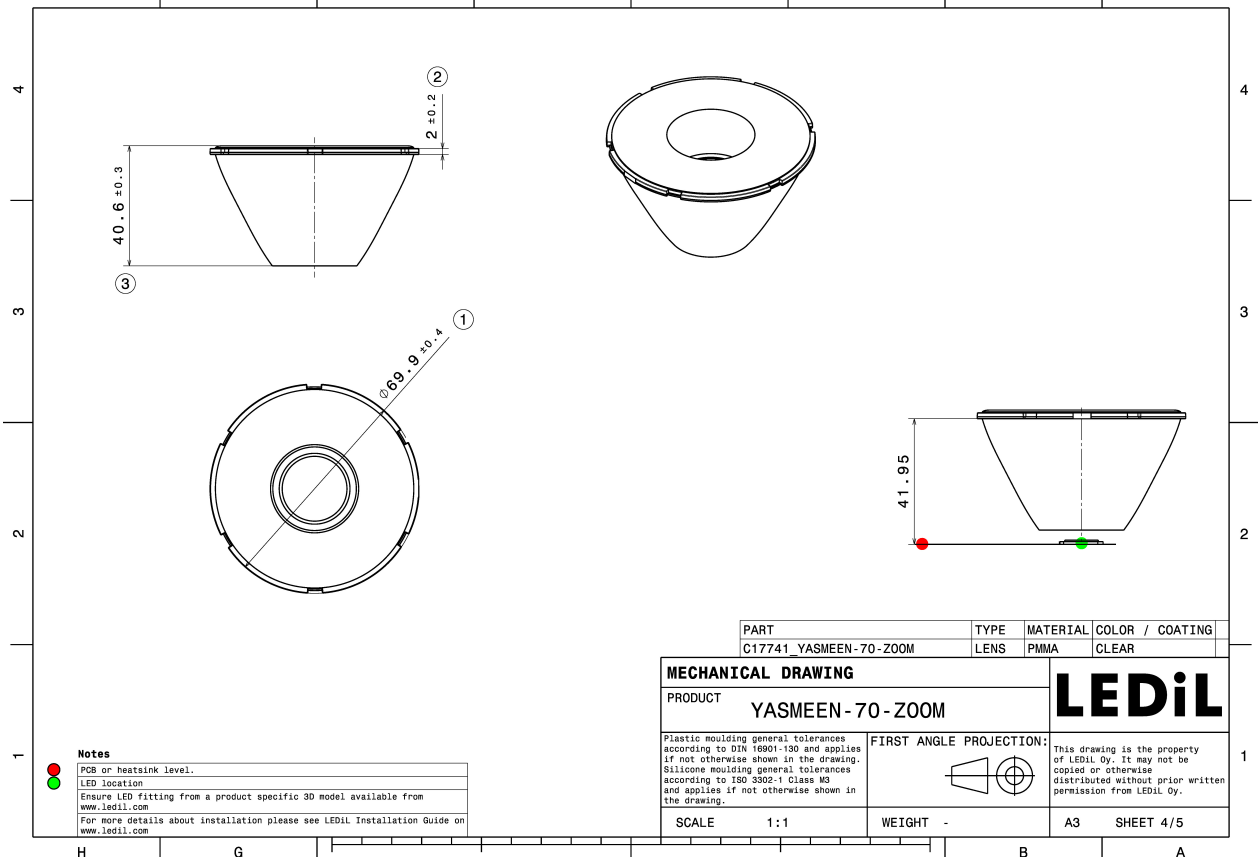
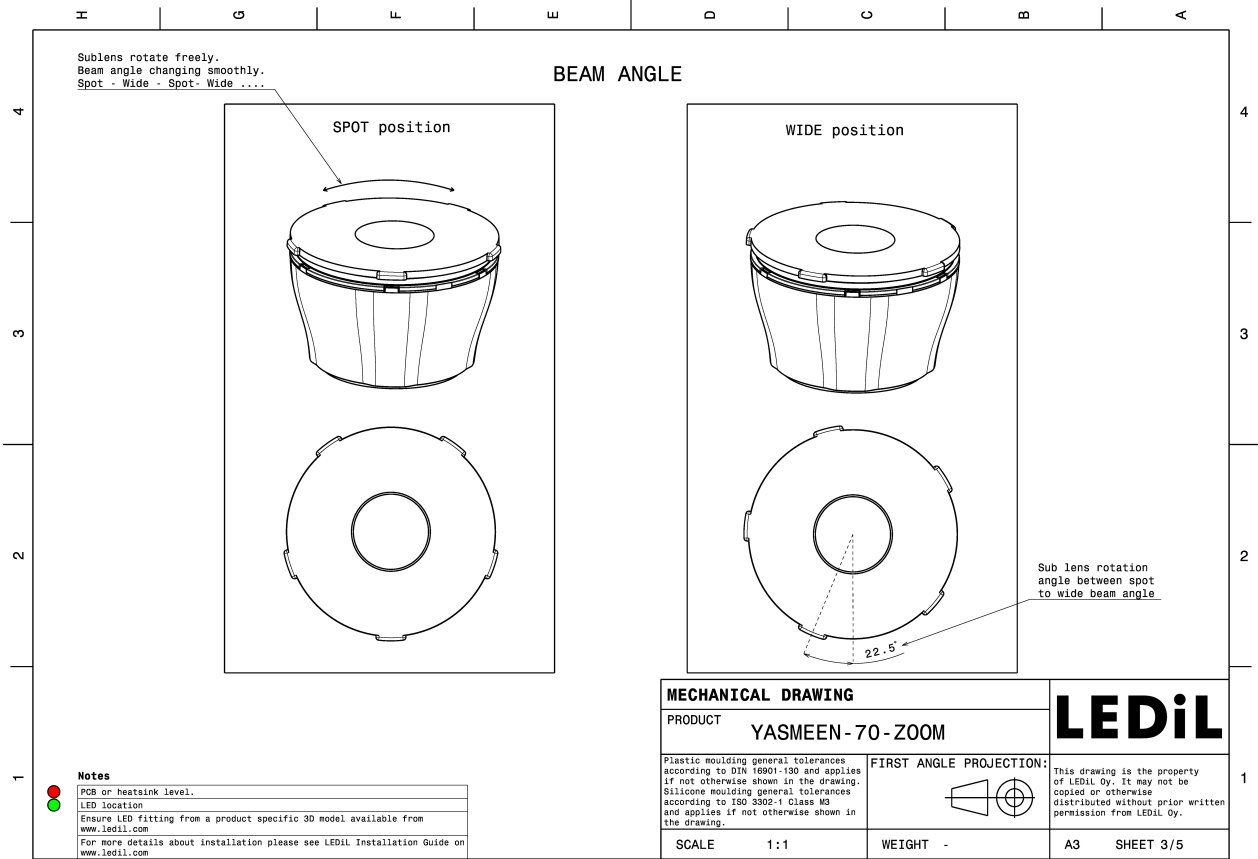
Component	Type	Material	Colour	Finish	Length (mm)
YASMEEN-70-ZOOM-SUB	Sublens	PMMA			
YASMEEN-70-ZOOM	Single lens	PMMA			
YASMEEN-70-HLD2-C	Holder C	PC	black		
YASMEEN-70-HLD2-B	Holder B	PC	black		
YASMEEN-70-HLD2-C-WHT	Holder C	PC	white		
YASMEEN-70-HLD2-B-WHT	Holder B	PC	white		
YASMEEN-70-HLD2-B50	Holder B	PC	black		
YASMEEN-70-HLD2-B50-WHT	Holder B	PC	white		

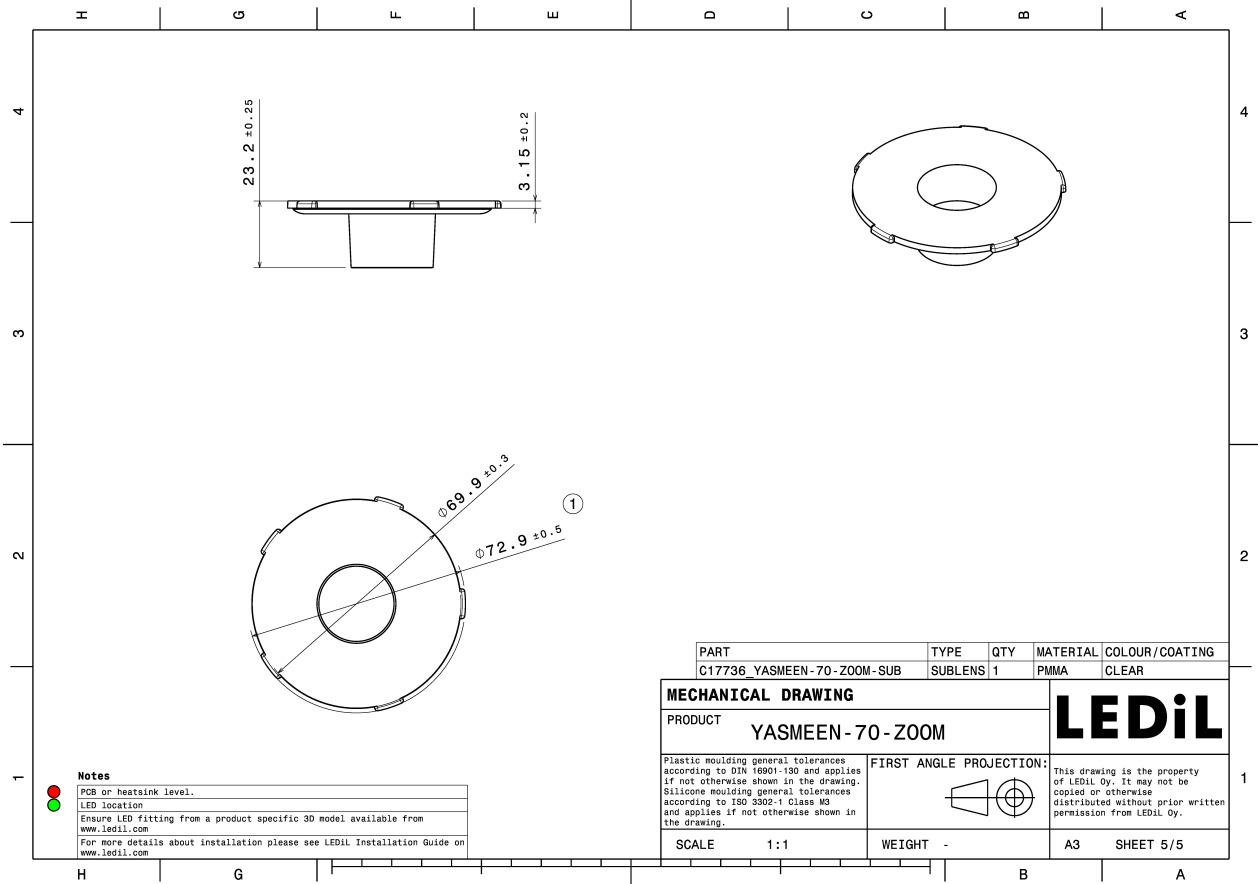


ORDERING INFORMATION:

Component	Qty in box	MOQ	MPQ	Box weight (kg)
C17741_YASMEEN-70-ZOOM	105	105	15	8.8
C17736_YASMEEN-70-ZOOM-SUB	105	105	15	3.1
Assembly				
CP19968_YASMEEN-70-ZOOM-B50-WHT	105	105	15	10.5
CP19961_YASMEEN-70-ZOOM-B50	105	105	15	10.5
CP18786_YASMEEN-70-ZOOM-B2-WHT	105	105	15	10.6
CP18779_YASMEEN-70-ZOOM-C2-WHT	105	105	15	10.5
CP18772_YASMEEN-70-ZOOM-B2	105	105	15	10.6
CP18765_YASMEEN-70-ZOOM-C2	105	105	15	10.5





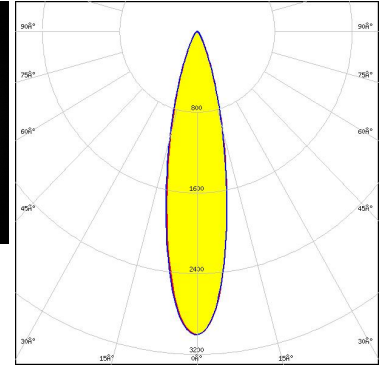


See also our general installation guide: www.ledil.com/installation_guide

OPTICAL RESULTS (MEASURED):



LED CTM-14 (Tunable White) Gen2
Ordering code CN18766_YASMEEN-70-ZOOM-C2
FWHM / FWTM 23.0 + 42.0° / 48.0 + 77.0°
Efficiency 75 %
Peak intensity 3 cd/lm
LEDs/each optic 1
Light colour/type Tunable White
Required components:
C16142_HEKLA-SOCKET-K
C17736_YASMEEN-70-ZOOM-SUB
Bender Wirth: 442 Typ L8

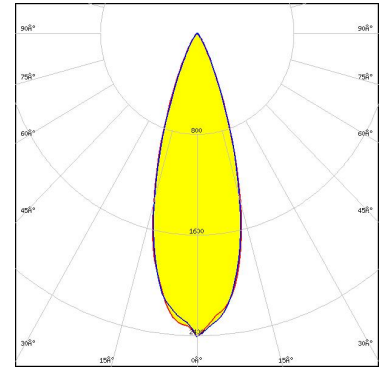


Light distribution files

OPTICAL RESULTS (SIMULATED):



LED V9 HD Gen 8
Ordering code CP18765_YASMEEN-70-ZOOM-C2
FWHM / FWTM 14.0 + 39.0° / 32.0 + 68.0°
Efficiency 85 %
Peak intensity 7.7 cd/lm
LEDs/each optic 1
Light colour/type White
Required components:
C17736_YASMEEN-70-ZOOM-SUB

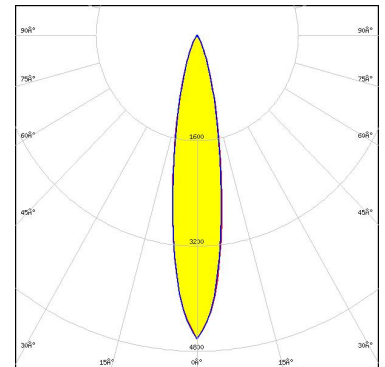


Light distribution files

Bender Wirth: 633d Hekla



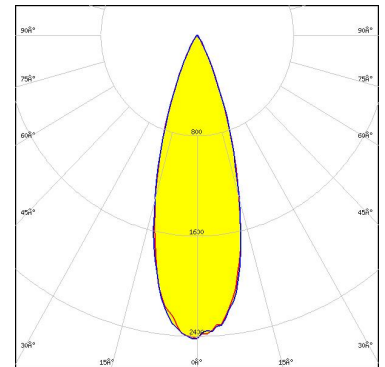
LED Vesta SE 13mm TW
Ordering code CP18765_YASMEEN-70-ZOOM-C2
FWHM / FWTM 20.0 + 42.0° / 43.0 + 75.0°
Efficiency 81 %
Peak intensity 4.6 cd/lm
LEDs/each optic 1
Light colour/type Tunable White
Required components:
C16142_HEKLA-SOCKET-K
C17736_YASMEEN-70-ZOOM-SUB



Light distribution files

CITIZEN

LED CLL02x/CLU02x (LES10)
Ordering code CP18786_YASMEEN-70-ZOOM-B2-WHT
FWHM / FWTM 17.0 + 41.0° / 34.0 + 69.0°
Efficiency 83 %
Peak intensity 6.7 cd/lm
LEDs/each optic 1
Light colour/type White
Required components:
C17736_YASMEEN-70-ZOOM-SUB



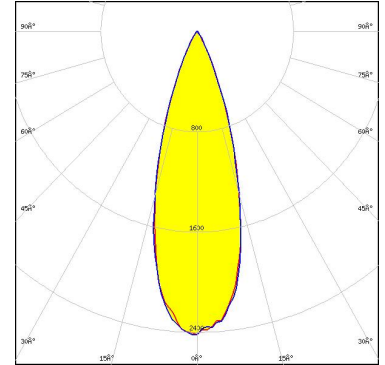
Light distribution files

BJB: 47.360.1020

OPTICAL RESULTS (SIMULATED):

CITIZEN

LED CLL02x/CLU02x (LES10)
Ordering code CP18772_YASMEEN-70-ZOOM-B2
FWHM / FWTM 17.0 + 41.0° / 34.0 + 69.0°
Efficiency 83 %
Peak intensity 6.7 cd/lm
LEDs/each optic 1
Light colour/type White
Required components:
C17736_YASMEEN-70-ZOOM-SUB

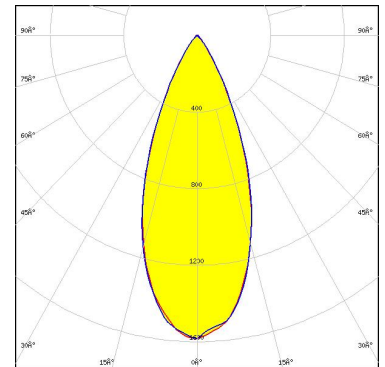


Light distribution files

BJB: 47.360.1020



LED CMU10xx
Ordering code CP18772_YASMEEN-70-ZOOM-B2
FWHM / FWTM 16.0 + 42.0° / 32.0 + 69.0°
Efficiency 85 %
Peak intensity 8.1 cd/lm
LEDs/each optic 1
Light colour/type White
Required components:
C17736_YASMEEN-70-ZOOM-SUB

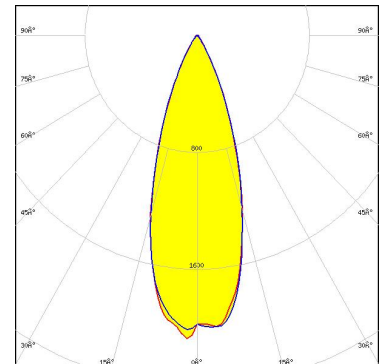


Light distribution files

BJB: 47.360.1020



LED LUXEON CoB 1202/1203
Ordering code CP18772_YASMEEN-70-ZOOM-B2
FWHM / FWTM 20.0 + 42.0° / 41.0 + 73.0°
Efficiency 83 %
Peak intensity 4.8 cd/lm
LEDs/each optic 1
Light colour/type White
Required components:
C17736_YASMEEN-70-ZOOM-SUB



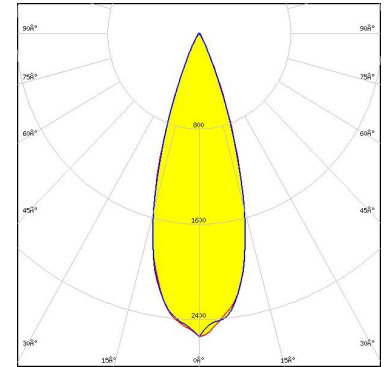
Light distribution files

BJB: 47.360.1110

OPTICAL RESULTS (SIMULATED):



LED CTM-6 (Tunable White) Gen2
Ordering code CN18766_YASMEEN-70-ZOOM-C2
FWHM / FWTM 14.0 + 41.0° / 26.0 + 66.0°
Efficiency 85 %
Peak intensity 11 cd/lm
LEDs/each optic 1
Light colour/type Tunable White
Required components:
 C16142_HEKLA-SOCKET-K
 C17736_YASMEEN-70-ZOOM-SUB

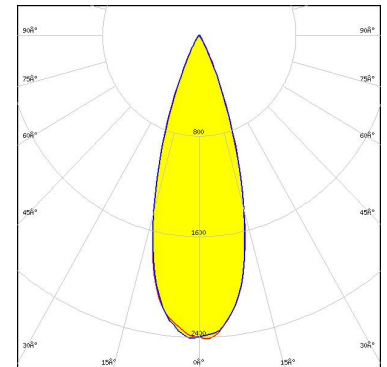


Light distribution files

Bender Wirth: 495 Typ L8



LED CTM-9 (Tunable White) Gen2
Ordering code CN18766_YASMEEN-70-ZOOM-C2
FWHM / FWTM 16.0 + 42.0° / 30.0 + 68.0°
Efficiency 85 %
Peak intensity 8.4 cd/lm
LEDs/each optic 1
Light colour/type Tunable White
Required components:
 C16142_HEKLA-SOCKET-K
 C17736_YASMEEN-70-ZOOM-SUB

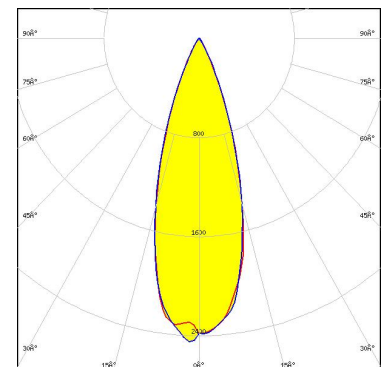


Light distribution files

Bender Wirth: 495 Typ L8



LED LC003D / LC006D / LC009D / LC013D
Ordering code CN18766_YASMEEN-70-ZOOM-C2
FWHM / FWTM 18.0 + 42.0° / 34.0 + 70.0°
Efficiency 85 %
Peak intensity 6.9 cd/lm
LEDs/each optic 1
Light colour/type White
Required components:
 F17435_HEKLA-G2-C
 C17736_YASMEEN-70-ZOOM-SUB

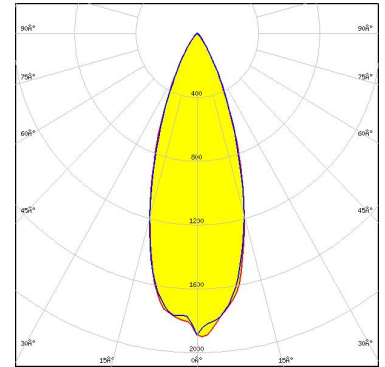


Light distribution files

OPTICAL RESULTS (SIMULATED):

SAMSUNG

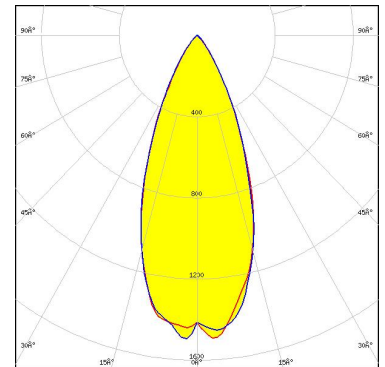
LED LC016D / LC019D / LC026D / LC033D
Ordering code CN18766_YASMEEN-70-ZOOM-C2
FWHM / FWTM 24.0 + 42.0° / 48.0 + 76.0°
Efficiency 83 %
Peak intensity 3.6 cd/lm
LEDs/each optic 1
Light colour/type White
Required components:
F17438_HEKLA-G2-I
C17736_YASMEEN-70-ZOOM-SUB



Light distribution files

SAMSUNG

LED LC020T (Tunable white)
Ordering code CP18765_YASMEEN-70-ZOOM-C2
FWHM / FWTM 18.0 + 42.0° / 36.0 + 71.0°
Efficiency 84 %
Peak intensity 6 cd/lm
LEDs/each optic 1
Light colour/type White
Required components:
C16142_HEKLA-SOCKET-K
C17736_YASMEEN-70-ZOOM-SUB

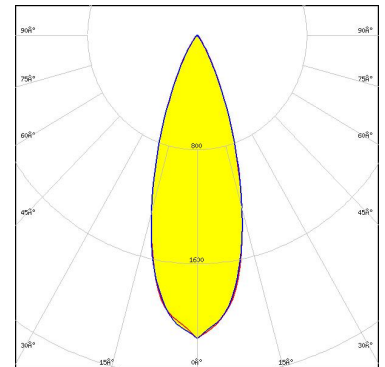


Light distribution files

Bender Wirth: 501 Typ L8

XICATO

LED XOB 14.5 mm
Ordering code CP18765_YASMEEN-70-ZOOM-C2
FWHM / FWTM 22.0 + 42.0° / 42.0 + 74.0°
Efficiency 84 %
Peak intensity 4.6 cd/lm
LEDs/each optic 1
Light colour/type White
Required components:
F17438_HEKLA-G2-I
C17736_YASMEEN-70-ZOOM-SUB

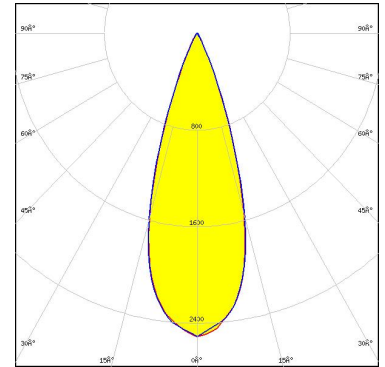


Light distribution files

OPTICAL RESULTS (SIMULATED):

XICATO

LED XOB 6 mm
Ordering code CP18765_YASMEEN-70-ZOOM-C2
FWHM / FWTM 12.0 + 41.0° / 24.0 + 66.0°
Efficiency 85 %
Peak intensity 13 cd/lm
LEDs/each optic 1
Light colour/type White
Required components:
C17736_YASMEEN-70-ZOOM-SUB

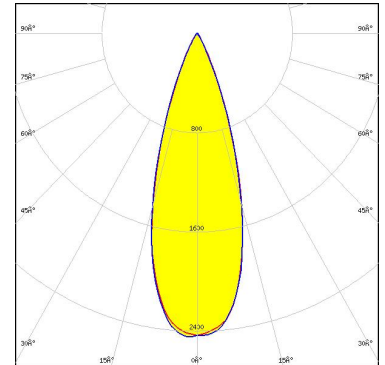


Light distribution files

Bender Wirth: 634b Hekla

XICATO

LED XOB 9.8 mm
Ordering code CP18765_YASMEEN-70-ZOOM-C2
FWHM / FWTM 16.0 + 42.0° / 30.0 + 68.0°
Efficiency 85 %
Peak intensity 8.5 cd/lm
LEDs/each optic 1
Light colour/type White
Required components:
F17435_HEKLA-G2-C
C17736_YASMEEN-70-ZOOM-SUB



Light distribution files

GENERAL INFORMATION:

NOTE: The typical beam angle will be changed by different color, chip size and chip position tolerance. The typical total beam angle is the full angle measured where the luminous intensity is half of the peak value.

Due to use of high power COB's with this product, special attention to proper thermal design is highly recommended. LEDiL has no liability for direct, indirect or consecutive damages arising from the LEDiL products being used outside of the recommended temperature range.

MATERIALS:

As part of our continuous research and improvement processes, and to ensure the best possible quality and availability of our products, LEDiL reserves the right to change material grades without notice.

PRODUCT DATA USER AGREEMENT AND DISCLAIMER:

The measured data in the provided downloadable LEDiL Product Datasheets and Mechanical 2D-Drawings is rounded and provided as reference for planning. LEDiL Oy's optical specifications have been verified by conducting performance testing of the products in accordance with the company's quality system. The reported data are averaged results of multiple measurements with typical variation. LEDiL Oy reserves the right to without prior notification make changes and improvements to its products.

LEDiL Oy assumes neither warranty, nor guarantee nor any other liability of any kind for the contents and correctness of the provided data. The provided data has been generated with highest diligence but the provided data may in reality not represent the complete possible variation range of all intrinsic parameters. Therefore, in certain cases a deviation from the provided data could occur.

LEDiL Oy reserves the right to undertake technical changes of its products without further notification which could lead to changes in the provided data. LEDiL Oy assumes no liability of any kind for the possible deviation from any provided data or any other damage resulting from the usage of the provided data.

The user agrees to this disclaimer and user agreement with the download or usage of the provided files.

LEDiL Oy

Joensuunkatu 7
FI-24240 SALO
Finland

LEDiL Inc.

228 West Page Street
Suite D
Sycamore IL 60178
USA

Ledil Optics Technology (Shenzhen) Co., Ltd.

405 , Block B
Casic Motor Building
Shenzhen 518057
P.R.CHINA

Local sales and technical support

[www.ledil.com/
where_to_buy](http://www.ledil.com/where_to_buy)

Shipping locations

Poznan, Poland
Hong Kong, China

Distribution Partners

[www.ledil.com/
where_to_buy](http://www.ledil.com/where_to_buy)