

### AMY-70-ZOOM

Infinitely adjustable beam from 20 to 50 degrees

#### SPECIFICATION:

Dimensions	Ø 69.9
Height	11.8 mm
Fastening	socket
ROHS compliant	yes ⓘ

#### MATERIALS:

Component	Type	Material	Colour	Finish	Length (mm)
AMY-70-ZOOM	Single lens	PMMA	clear	gloss	
AMY-70-ZOOM-SUB	Sublens	PMMA	clear	matt	
AMY-70-HLD2-C	Holder C	PC	black		
AMY-70-HLD2-B	Holder B	PC	black		
AMY-70-HLD2-C-WHT	Holder C	PC	white		
AMY-70-HLD2-B-WHT	Holder B	PC	white		
AMY-70-HLD2-B50	Holder B	PC	black		
AMY-70-HLD2-B50-WHT	Holder B	PC	white		



### ORDERING INFORMATION:

Component	Qty in box	MOQ	MPQ	Box weight (kg)
C18617_AMY-70-ZOOM	165	165	15	7.3
C18618_AMY-70-ZOOM-SUB	165	165	15	4.1
<b>Assembly</b>				
CP19657_AMY-70-ZOOM-B50-WHT	165	165	15	8.6
CP19649_AMY-70-ZOOM-B50	165	165	15	8.6
CP19122_AMY-70-ZOOM-B2-WHT	165	165	15	8.8
CP19113_AMY-70-ZOOM-C2-WHT	165	165	15	8.6
CP19106_AMY-70-ZOOM-B2	165	165	15	8.8
CP19046_AMY-70-ZOOM-C2	165	165	15	8.6

DATE: 06.11.2024

CP19046\_ AMY-70-ZOOM-C2  
CP19113\_ AMY-70-ZOOM-C2-WHT

25.78 ±0.5

3.7

HEKLA Connector

COB

CP19106\_ AMY-70-ZOOM-B2  
CP19122\_ AMY-70-ZOOM-B2-WHT  
CP19649\_ AMY-70-ZOOM-B50  
CP19657\_ AMY-70-ZOOM-B50-WHT

26.03 ±0.5

3.5

Connector  
BJB / B+W 35mm/50mm-interface

COB

INDEX	PART	TYPE	QTY	MATERIAL	COLOUR/COATING	ASSEMBLY CODES
1	AMY-70-ZOOM	LENS	1			
2	C18617_ AMY-70-ZOOM			PMMA	CLEAR	
3	C18618_ AMY-70-ZOOM-SUB	SUBLENS	1	PMMA	CLEAR	
4	HOLDER C	HOLDER	1			
	C19021_ AMY-70-HLD2-C			PC	BLACK	CP19046_ AMY-70-ZOOM-C2
	C19023_ AMY-70-HLD2-C-WHT			PC	WHITE	CP19113_ AMY-70-ZOOM-C2-WHT
	HOLDER B					
	C19022_ AMY-70-HLD2-B			PC	BLACK	CP19106_ AMY-70-ZOOM-B2
	C19024_ AMY-70-HLD2-B-WHT			PC	WHITE	CP19122_ AMY-70-ZOOM-B2-WHT
	C19579_ AMY-70-HLD2-B50			PC	BLACK	CP19649_ AMY-70-ZOOM-B50
	C19580_ AMY-70-HLD2-B50-WHT			PC	WHITE	CP19657_ AMY-70-ZOOM-B50-WHT

Top view  
Scale: 1:1

Notes

- PCB or heatsink level.
- LED location
- Ensure LED fitting from a product specific 3D model available from [www.ledil.com](http://www.ledil.com)
- For more details about installation please see LEDiL Installation Guide on [www.ledil.com](http://www.ledil.com)

**MECHANICAL DRAWING**  
PRODUCT: AMY-70-ZOOM

Plastic moulding general tolerances according to DIN 16901-130 and applies if not otherwise shown in the drawing.  
Silicone moulding general tolerances according to ISO 3302-1 Class M3 and applies if not otherwise shown in the drawing.

FIRST ANGLE PROJECTION:

SCALE: 1:1      WEIGHT: -

**LEDiL**  
This drawing is the property of LEDiL Oy. It may not be copied or otherwise distributed without prior written permission from LEDiL Oy.

A3 SHEET 1/4

BEAM ANGLE MARKING

Spot      Wide

Assembly

SUB-lens rotate freely.  
Beam angle changing smoothly.  
spot - wide - spot - wide ...

22.5 degrees rotation angle between spot and wide

Base lens

Wide position

Spot position

Wide position

Detail A  
Scale: 2:1

SUB lens

6x position indicator

Detail B  
Scale: 2:1

**MECHANICAL DRAWING**  
PRODUCT: AMY-70-ZOOM

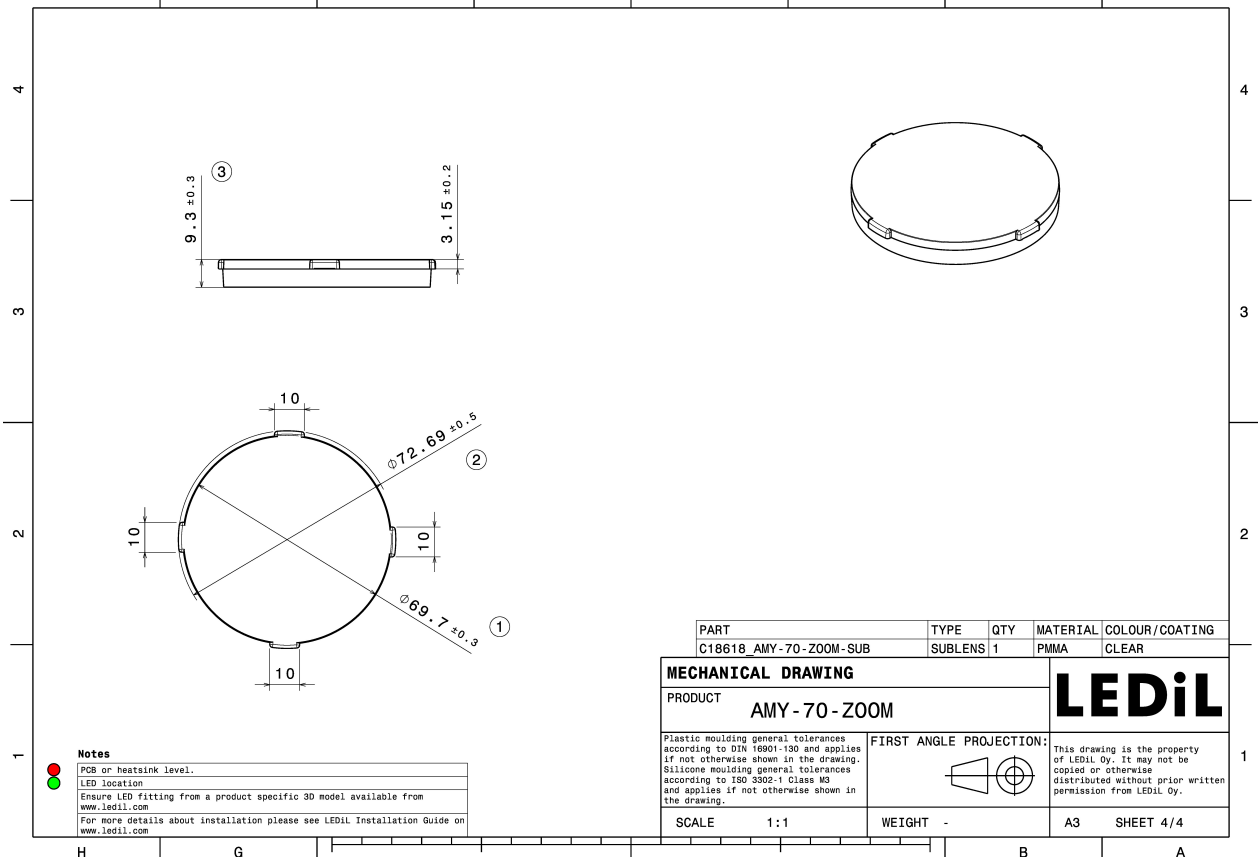
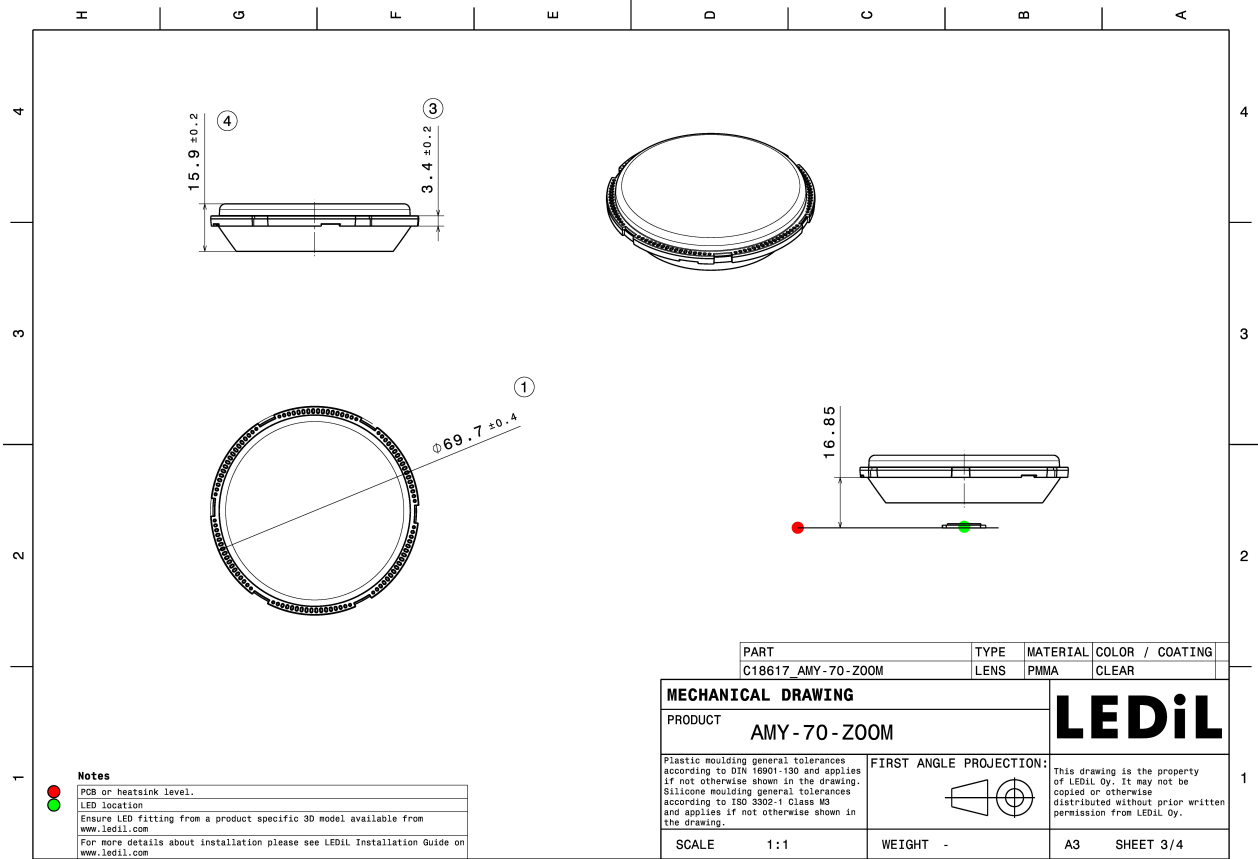
Plastic moulding general tolerances according to DIN 16901-130 and applies if not otherwise shown in the drawing.  
Silicone moulding general tolerances according to ISO 3302-1 Class M3 and applies if not otherwise shown in the drawing.

FIRST ANGLE PROJECTION:

SCALE: 1:1      WEIGHT: -

**LEDiL**  
This drawing is the property of LEDiL Oy. It may not be copied or otherwise distributed without prior written permission from LEDiL Oy.

A3 SHEET 2/4

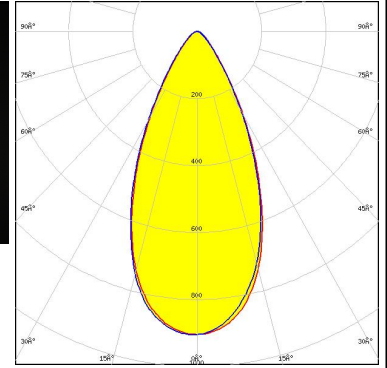


See also our general installation guide: [www.ledil.com/installation\\_guide](http://www.ledil.com/installation_guide)

### OPTICAL RESULTS (MEASURED):



LED CTM-14 (Tunable White) Gen2  
Ordering code CP19046\_AMY-70-ZOOM-C2  
FWHM / FWTM 22.0 + 49.0° / 49.0 + 83.0°  
Efficiency 69 %  
LEDs/each optic 1  
Light colour/type White  
Required components:  
C18618\_AMY-70-ZOOM-SUB  
Bender Wirth: 442 Typ L8



Light distribution files

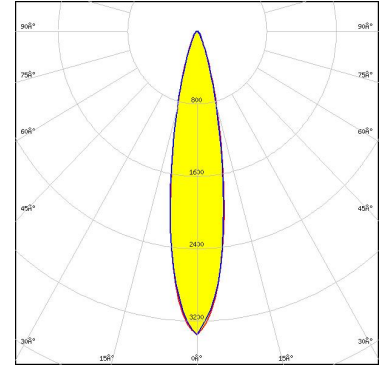
### OPTICAL RESULTS (SIMULATED):



LED	Vesta SE 13mm TW
Ordering code	CP19046_AMY-70-ZOOM-C2
FWHM / FWTM	21.0 + 49.0° / 43.0 + 86.0°
Efficiency	74 %
Peak intensity	3.4 cd/lm
LEDs/each optic	1
Light colour/type	Tunable White

Required components:  
C16142\_HEKLA-SOCKET-K  
C18618\_AMY-70-ZOOM-SUB

Light distribution files



### GENERAL INFORMATION:

NOTE: The typical beam angle will be changed by different color, chip size and chip position tolerance. The typical total beam angle is the full angle measured where the luminous intensity is half of the peak value.

Due to use of high power COB's with this product, special attention to proper thermal design is highly recommended. LEDiL has no liability for direct, indirect or consecutive damages arising from the LEDiL products being used outside of the recommended temperature range.

### MATERIALS:

As part of our continuous research and improvement processes, and to ensure the best possible quality and availability of our products, LEDiL reserves the right to change material grades without notice.

### PRODUCT DATA USER AGREEMENT AND DISCLAIMER:

The measured data in the provided downloadable LEDiL Product Datasheets and Mechanical 2D-Drawings is rounded and provided as reference for planning. LEDiL Oy's optical specifications have been verified by conducting performance testing of the products in accordance with the company's quality system. The reported data are averaged results of multiple measurements with typical variation. LEDiL Oy reserves the right to without prior notification make changes and improvements to its products.

LEDiL Oy assumes neither warranty, nor guarantee nor any other liability of any kind for the contents and correctness of the provided data. The provided data has been generated with highest diligence but the provided data may in reality not represent the complete possible variation range of all intrinsic parameters. Therefore, in certain cases a deviation from the provided data could occur.

LEDiL Oy reserves the right to undertake technical changes of its products without further notification which could lead to changes in the provided data. LEDiL Oy assumes no liability of any kind for the possible deviation from any provided data or any other damage resulting from the usage of the provided data.

The user agrees to this disclaimer and user agreement with the download or usage of the provided files.

#### LEDiL Oy

Joensuunkatu 7  
FI-24240 SALO  
Finland

#### LEDiL Inc.

228 West Page Street  
Suite D  
Sycamore IL 60178  
USA

#### Ledil Optics Technology (Shenzhen) Co., Ltd.

# 405 , Block B  
Casic Motor Building  
Shenzhen 518057  
P.R.CHINA

#### Local sales and technical support

[www.ledil.com/  
where\\_to\\_buy](http://www.ledil.com/where_to_buy)

#### Shipping locations

Poznan, Poland  
Hong Kong, China

#### Distribution Partners

[www.ledil.com/  
where\\_to\\_buy](http://www.ledil.com/where_to_buy)