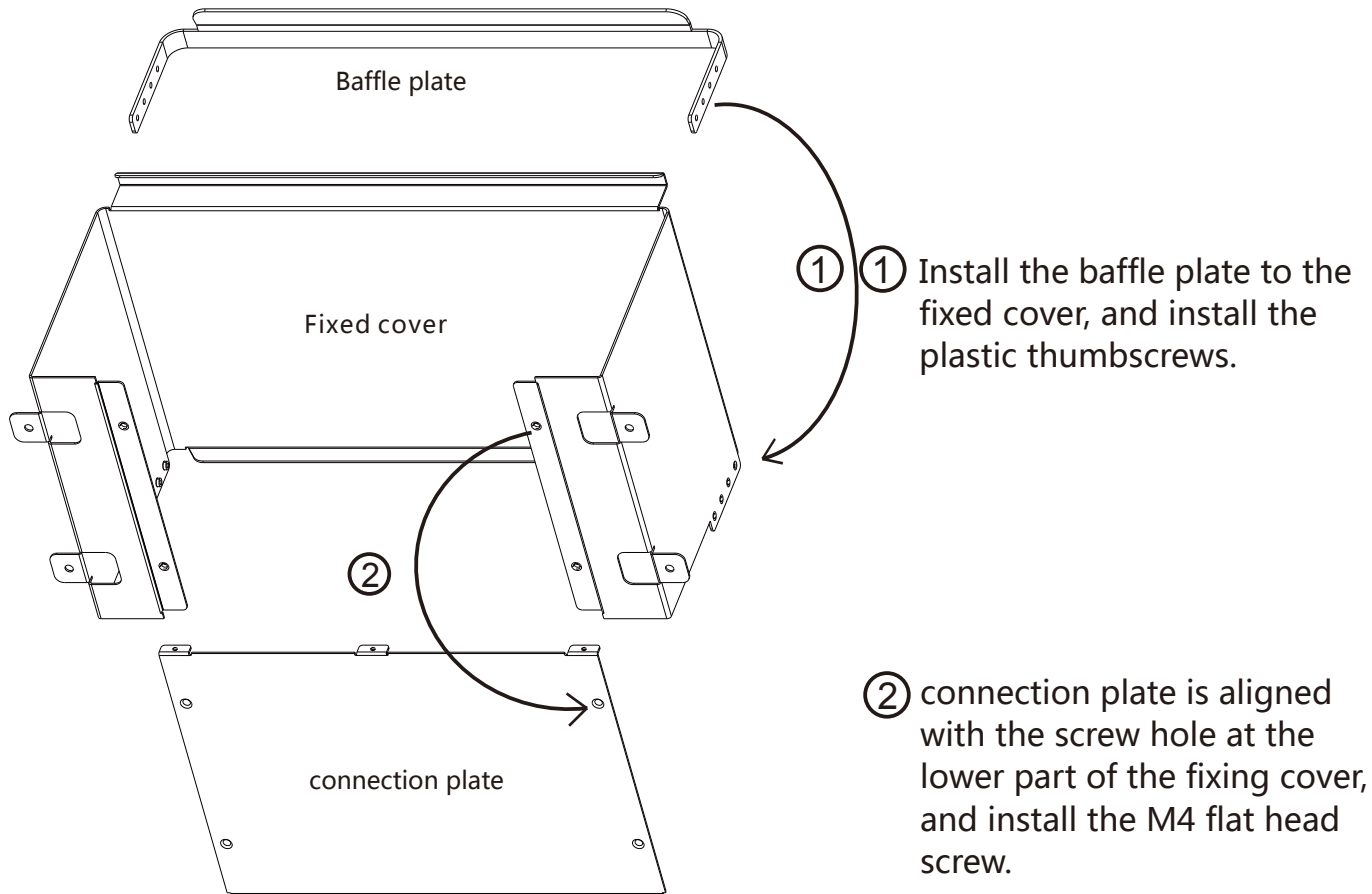
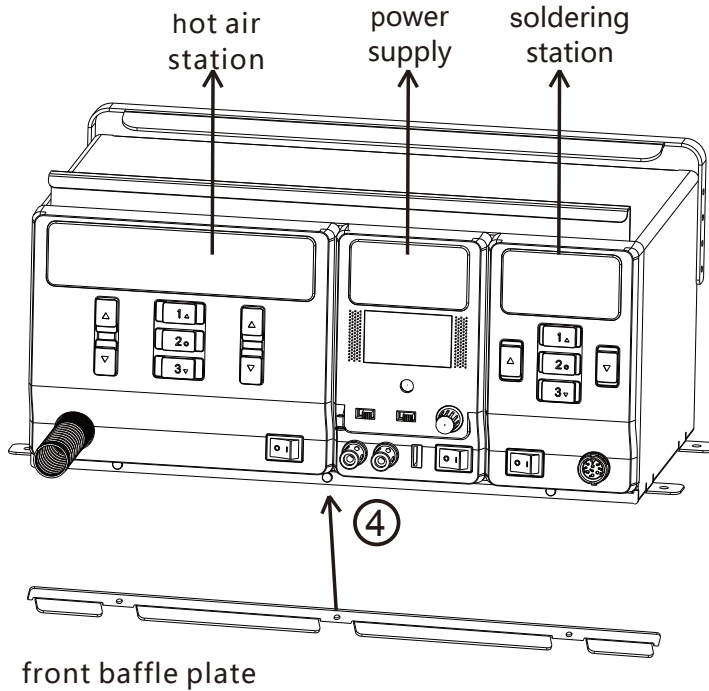


# ATTEN Assemble diagram





③ hot air station, power supply, and soldering station inside to fixed cover from left to right.

④ Install the front baffle plate to the fixed cover at last . note that the gear side towards inside . and align the screw holes with M3 flat-head screws.