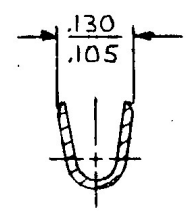
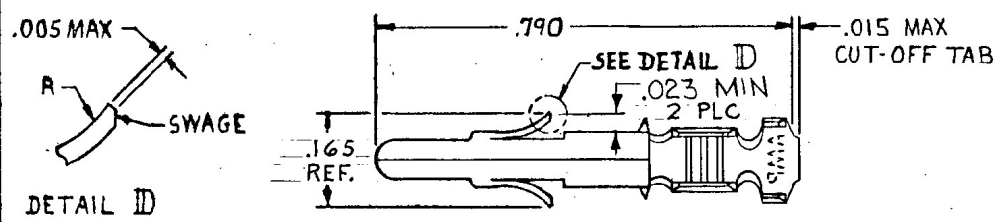
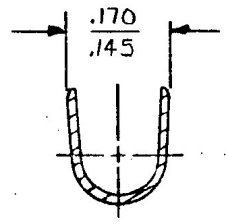
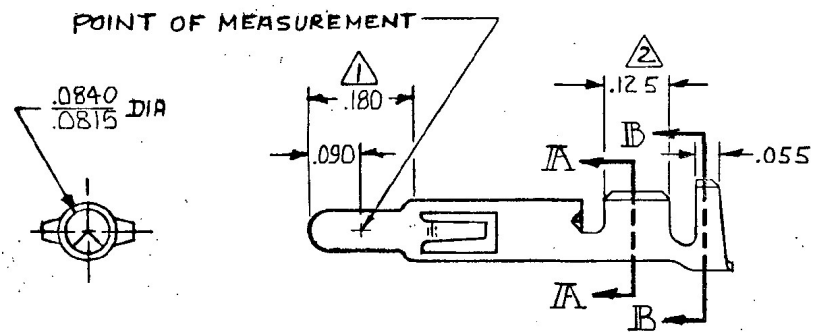


© COPYRIGHT

REVISIONS						
P	F	ZONE	LTR	DESCRIPTION	DATE	APPROVED
✓	✓		R	REVISED PER ECR-12-013323	10AUG12	TM



SECTION A-A



SECTION B-B

- ① PLATED WITH .000030 GOLD, OVER .000050 NICKEL UNDERPLATE
- ② PLATED INTERNALLY WITH .000030 GOLD.
- ③ INSULATION RANGE: .060-.130 DIA

GOLD	① .012 BRASS	350547-7
	.012 PH. BRZ	350547-6
PRE-TIN	.012 PH. BRZ.	350547-3
GOLD	①/② .012 BRASS	350547-2
PRE-TIN		350547-1
FINISH	MATERIAL	PART NO

UNLESS OTHERWISE SPECIFIED DIMENSIONS ARE IN INCHES. TOLERANCES ON: DECIMALS ± .015 ANGLES ±	CONTRACT NO	TE Connectivity	
	DR M.FEHER 5-6-81		
WIRE RANGE 20-14 AWG	CHK D. Steidle 6/9/81	NAME PIN, (LOOSE PIECE)	
	APPD R. Polachuk 6-10-81	UNIVERSAL MATE-N-LOK	
INSULATION RANGE ③	DSGN APPD	SIZE B	CODE IDENT NO 00779
	OTHER APPD	DRAWING NO 350547	
		SCALE 4-1	SHEET #

CUSTOMER DRAWING