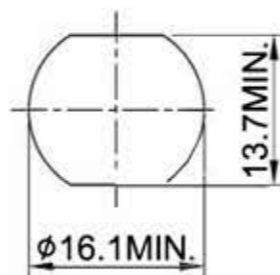


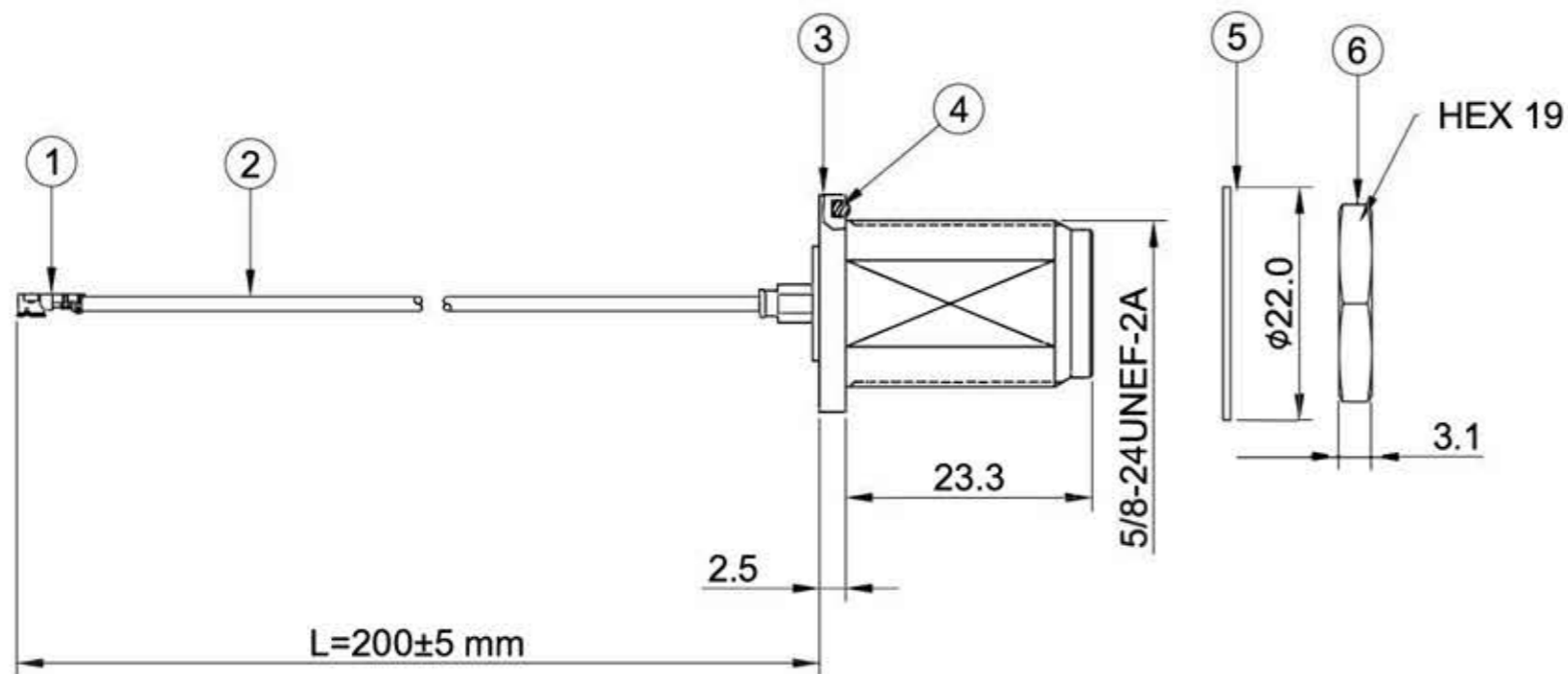
REV	DESCRIPTION	DATE
1.00	INITIAL DESIGN	2025/01/22



RECOMMENDED MOUNTING HOLE

**MECHANICAL DATA**  
 1. THE ORIENTATION IS FOR REFERENCE ONLY.  
 (圖面組裝方向性僅供參考)  
 2. ASSEMBLY PER IPC/WHMA-A-620 EXCEPT IPEX .

**ELECTRICAL DATA**  
 1. 100% CONTINUITY, SHORT CIRCUIT TEST.  
 2. IMPEDANCE : 50Ω



TITLE		IPEX to 1.37(BK) to N(F)st.bh.w/oring,L=200mm	
DWG NO. 250122-02		P/N BH075WS250122-02	
CUST. P/N: N/A		DRAWN BY: Oscar 2025/01/22	
DWG NO: N/A		CHK'D BY: Eileen 2025/01/22	
SHEET 1 of 1		Unit: mm	
GENERAL TOLERANCES		CONN. ±0.2	
STRIP ±0.3		ANGLES N/A	
REV. 1.00			

NO	DESCRIPTION	Q'TY	ITEM
06	Nut	1	
05	Washer	1	
04	O-ring (Black)	1	
03	N bulk Jack with O-ring	1	C28CE31137002F-1
02	1.37 coaxial cable (Black)	1	D1370XX5BT
01	I-PEX MHF 1 Plug	1	20351-112R-37