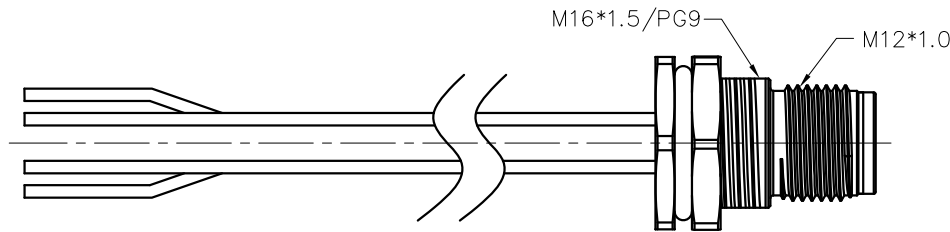
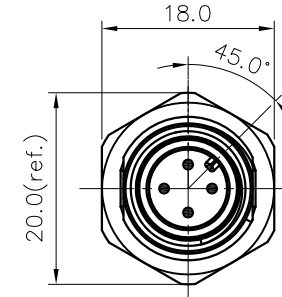
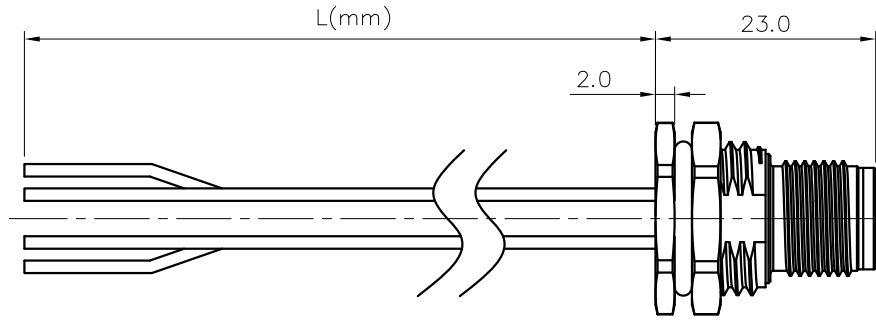


REVISION RECORD

REV	ECN	DESCRIPTION	DRFT	DATE
-----	-----	-------------	------	------



3pin A Coding		4pin A Coding		5pin A Coding		6pin A Coding		8pin A Coding	
Pin Assignments Front View		Pin Assignments Front View		Pin Assignments Front View		Pin Assignments Front View		Pin Assignments Front View	
								8	Red
								7	Blue
								6	Pink
				5	Grey			5	Grey
4	Black	4	Black	4	Black	4	Yellow	4	Yellow
3	Blue	3	Blue	3	Blue	3	Green	3	Green
1	Brown	2	White	2	White	2	Brown	2	Brown
1	Brown	1	Brown	1	Brown	1	White	1	White
Pin	Wire Color	Pin	Wire Color	Pin	Wire Color	Pin	Wire Color	Pin	Wire Color
Pin Out		Pin Out		Pin Out		Pin Out		Pin Out	

SD-M12X-XXP-MM-SF8XXX-00A(H)  
 Coding: A,B,D  
 Pin number: 03,04,05, 06,08,10,12  
 Thread specification:  
 A: PG9;  
 B: M16\*1.5  
 XX: 150~1500mm  
 15: 150±15mm  
 30: 300±20mm  
 50: 500±20mm  
 A0: 1000±40mm  
 A5: 1500±40mm  
 Wire Length L: 150~1500mm

DETACHED LISTS	PART NO.: SDM12XXXPMMSF8XXX00AH		宁波高松电子有限公司 NINGBO DEGSON ELECTRICAL CO., LTD		
	APPD:	NAME: SD-M12X-XXP-MM-SF8XXX-00A(H)			
	CHKD:	TITLE: CUSTOMER DRAWING			
	DRFT: SQ 2019.05.17	REV	D0-1		
	THIRD ANGLE PROJECTION		DRAWING NO.: XXXXXXXX-XX-CXX	SHEET	1/2
		MM (INCH)	DO NOT SCALE DRAWING	SCALE	1:1

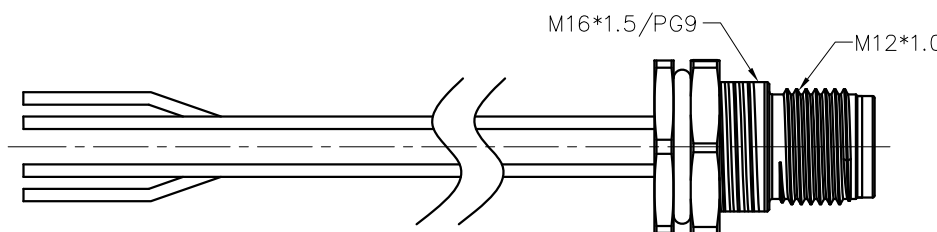
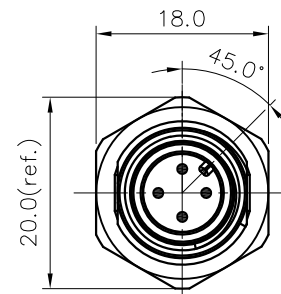
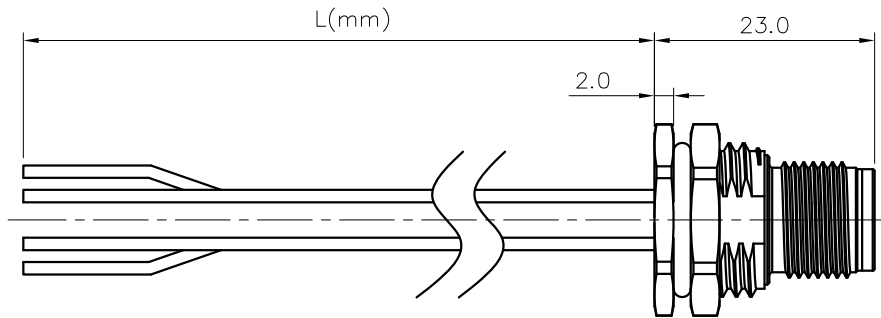
REVISION RECORD

REV	ECN	DESCRIPTION	DRFT	DATE
-----	-----	-------------	------	------

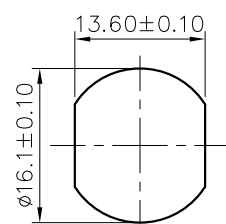
NOTES:

- Rated voltage/current : 3pin A: 250V / 4A  
4pin A: 250V / 4A  
5pin A: 60V / 4A  
6pin A: 30V / 2A  
8pin A: 30V / 2A  
10pin A: 30V / 1.5A  
12pin A: 30V / 1.5A  
5pin B: 60V / 4A  
4pin D: 250V / 4A
- Withstanding voltage : 3,4pin: AC1500V/1Min  
5pin: AC1120V/1Min  
6,8pin: AC500V/1Min  
10,12pin: AC500V/1Min  
5pin B: AC1120V/1Min  
4pin D: AC1500V/1Min
- Levels of protection: IP68
- Wire specifications :  
3pin A: 22AWG/0.34mm<sup>2</sup>,UL1061  
4pin A: 22AWG/0.34mm<sup>2</sup>,UL1061  
5pin A: 22AWG/0.34mm<sup>2</sup>,UL1061  
6pin A: 24AWG/0.25mm<sup>2</sup>,UL1061  
8pin A: 24AWG/0.25mm<sup>2</sup>,UL1061  
10pin A: 26AWG/0.14mm<sup>2</sup>,UL1061  
12pin A: 26AWG/0.14mm<sup>2</sup>,UL1061  
5pin B: 22AWG/0.34mm<sup>2</sup>,UL1061  
4pin D: 22AWG/0.34mm<sup>2</sup>,UL1061
- Wire connection mode: soldering
- Operating temperature: -25°C~+80°C
- For Panel Thickness Max: 4.5mm
- RoHS Compliance
- Tolerance :

.X	±0.25mm
.XX	±0.1mm
∠	±1°

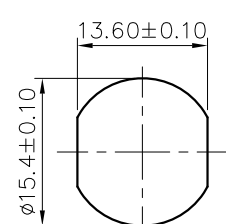


Thread specification:  
M16\*1.5



Panel Mounted

Thread specification:  
PG9



Panel Mounted

10pin A Coding	12pin A Coding	5pin B Coding	4pin D Coding
Pin Assignments Front View	Pin Assignments Front View	Pin Assignments Front View	Pin Assignments Front View
	12 Red/Blue		
	11 Grey/Pink		
10 Violet	10 Violet		
9 Red	9 Red		
8 Grey	8 Grey		
7 Black	7 Black		
6 Yellow	6 Yellow		
5 Pink	5 Pink	5 Grey	
4 Green	4 Green	4 Black	4 Black
3 White	3 White	3 Blue	3 Blue
2 Blue	2 Blue	2 White	2 White
1 Brown	1 Brown	1 Brown	1 Brown
Pin Wire Color	Pin Wire Color	Pin Wire Color	Pin Wire Color
Pin Out	Pin Out	Pin Out	Pin Out

DETACHED LISTS	PART NO.: SDM12XXXPMMSF8XXX00AH	宁波高松电子有限公司 NINGBO DEGSON ELECTRICAL CO., LTD		
	APPD:	NAME: SD-M12X-XXP-MM-SF8XXX-00A(H)		
	CHKD:	TITLE: CUSTOMER DRAWING		
	DRFT: SQ 2019.05.17	REV	D0-1	
		DRAWING NO.: XXXXXXXX-XX-CXX	SHEET	2/2
	MM (INCH)	DO NOT SCALE DRAWING	SCALE 1:1	