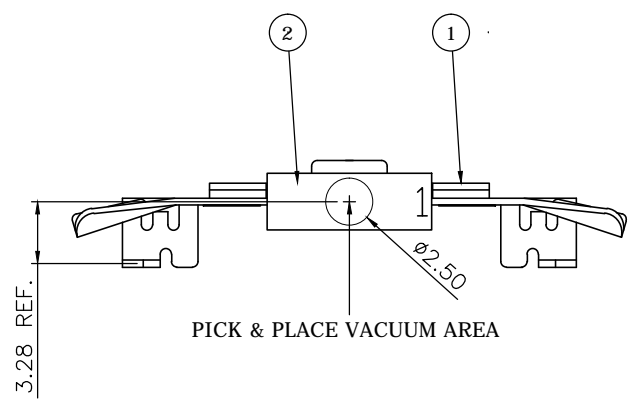
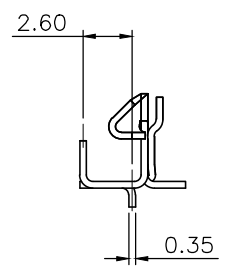
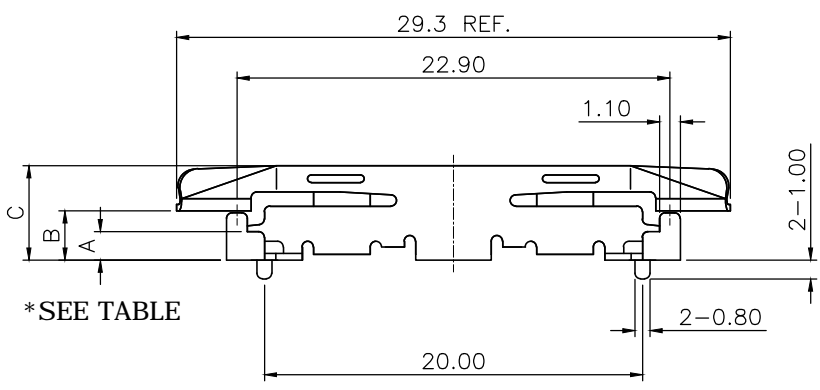
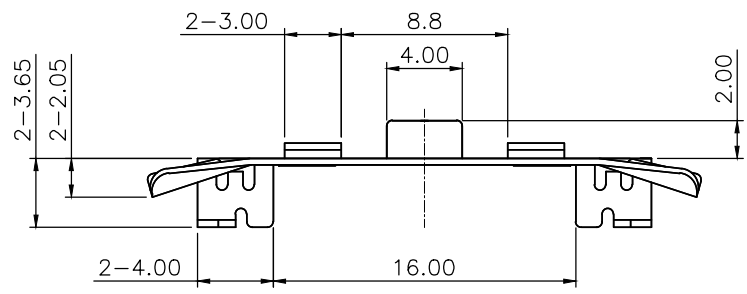
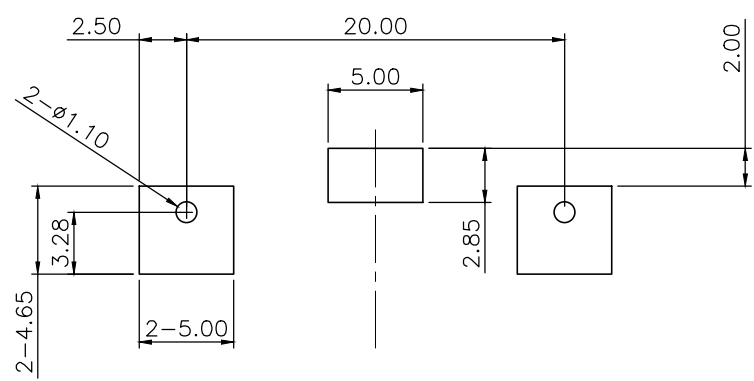


REV.	DESCRIPTION	DRAWN	DATE
1	INITIAL RELEASE	FROS	2014/12/15



DIMENSIONS TABLE			
A	B	C	P/N
1.5	2.6	5.0	119A-40LATCH
3.1	4.2	6.6	119A-56LATCH



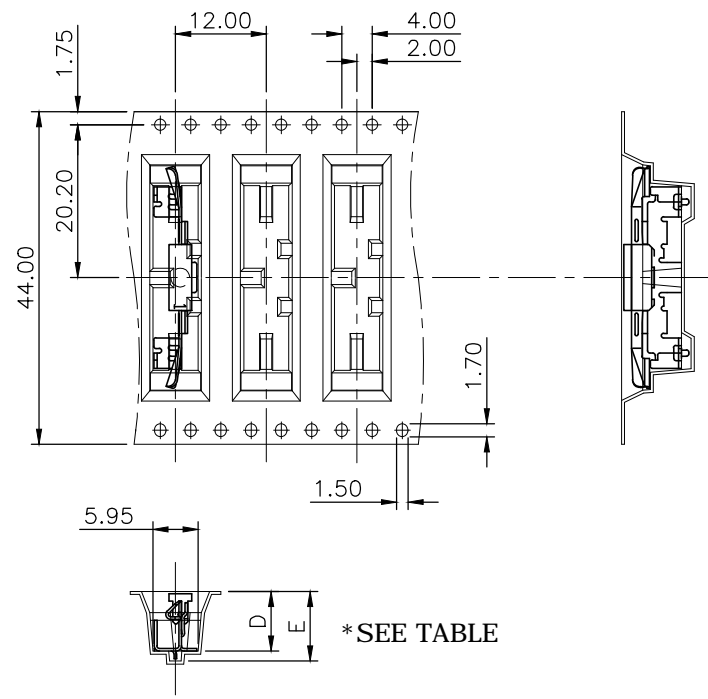
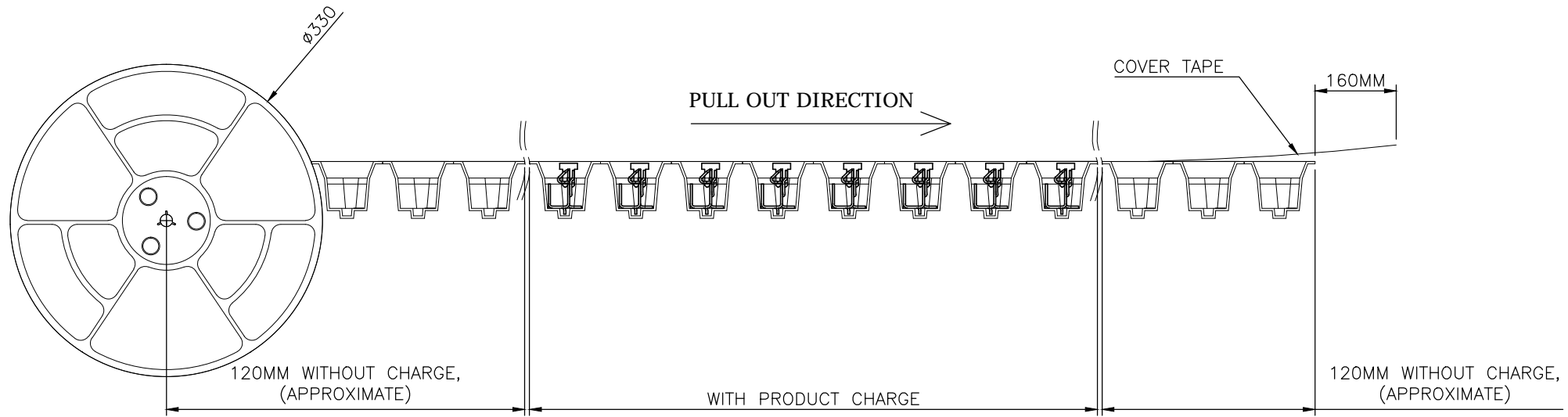
**RECOMMEND PCB LAYOUT**

2	Holder	LCP, UL94V-0, BLACK				
1	LATCH	SUS301 3/4H, Tin 80~120u" PLATED				
NO. PART NAME		DESCRIPTION				
UNLESS OTHERWISE SPECIFIED TOLERANCE						
UNIT:	DECIMAL	LINEAR	ANGLES			
	mm	X. ±0.50	±5°			
		X.X ±0.25	±3°			
		X.XX ±0.12	±1°			
DRAWN		Fros	2014/12/15	DRAWN NAME:		
CHECKED		Ron	2014/12/15	Mini PCI Express Latch		
APPROVED		Albert	2014/12/15	PRODUCT NO.	SEE TABLE	
SCALE		2.5	SHEET	1/2	SIZE	A4
FILE NAME		119A-XXLATCH_B_1				



WWW.ATTEND.COM.TW

REV.	DESCRIPTION	DRAWN	DATE
	SEE SHEET 1		



PACKING QUANTITY			
P/N	REEL	CARTON (5 REEL)	PACKING LEIGHT
119A-40LATCH	700 PCS	3500 PCS	8.64 M
119A-56LATCH	550 PCS	2750 PCS	6.84 M

DIMENSIONS TABLE		
D	E	P/N
6.30	7.60	119A-40LATCH
7.90	9.20	119A-56LATCH

UNLESS OTHERWISE SPECIFIED TOLERANCE			
UNIT:	DECIMAL	LINEAR	ANGLES
mm	X.	±0.50	±5°
	X.X	±0.25	±3°
	X.XX	±0.12	±1°

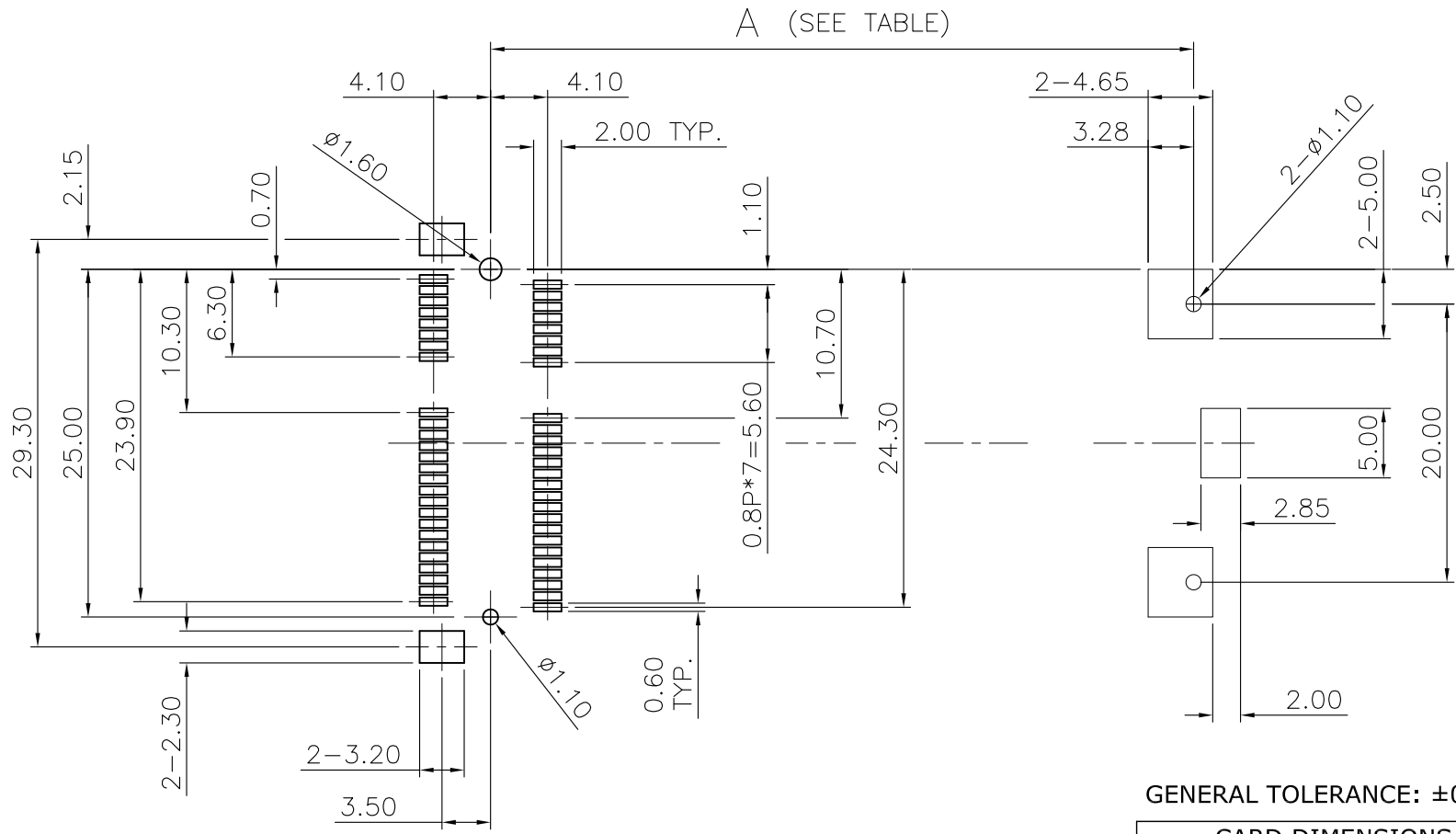


DRAWN	Fros	2014/12/15	DRAWN NAME:	
CHECKED	Ron	2014/12/15	Mini PCI Express Latch	
APPROVED	Albert	2014/12/15	PRODUCT NO.	SEE TABLE
	SCALE	SHEET	SIZE	FILE NAME
	1/1	2/2	A4	119A-XXLATCH_B_1

WWW.ATTEND.COM.TW

\* SEE TABLE

REV.	DESCRIPTION	DRAWN	DATE
1	Initial Release	FROS	2014/12/15



GENERAL TOLERANCE: ±0.05mm

CARD DIMENSIONS			A
FULL SIZE	30*50.95mm		50.58mm
HALF SIZE	30*26.80mm		26.43mm
UNLESS OTHERWISE SPECIFIED TOLERANCE			
UNIT:	DECIMAL	LINEAR	ANGLES
mm	X.	±0.50	±5°
	X.X	±0.25	±3°
	X.XX	±0.12	±1°
			WWW.ATTEND.COM.TW
DRAWN	Fros	2014/12/15	DRAWN NAME:
CHECKED	Ron	2014/12/15	Recommend PCB Layout
APPROVED	Albert	2014/12/15	PRODUCT NO.
SCALE	1/1	SHEET	1/1
SIZE	A4	FILE NAME	119A-XXLATCH_Layout

