



晶采光電科技股份有限公司
AMPIRE CO., LTD.

SPECIFICATIONS FOR LCD MODULE

CUSTOMER	
CUSTOMER PART NO.	
AMPIRE PART NO.	WTA-L10A (5V CCFL_Inverter)
APPROVED BY	
DATE	

AMPIRE CO., LTD.

**TOWER A, 4F, No.114, Sec. 1, HSIN-TAI 5th RD., HIS-CHIH,
TAIPEI HSIEN, TAIWAN(R.O.C.)**

台北縣汐止鎮新台五路一段114號4樓(東方科學園區A棟)

TEL:886-2-26967269, FAX:886-2-26967196 or 886-2-26967270

APPROVED BY	CHECKED BY	ORGANIZED BY

Date : 00/10/09

-1-

TECHNICAL DATA FOR CCFL DRIVING INVERTER

MODEL NO.	WTA-L10A	ISSUED DATE:	AUG. 2, 1999
-----------	-----------------	--------------	---------------------

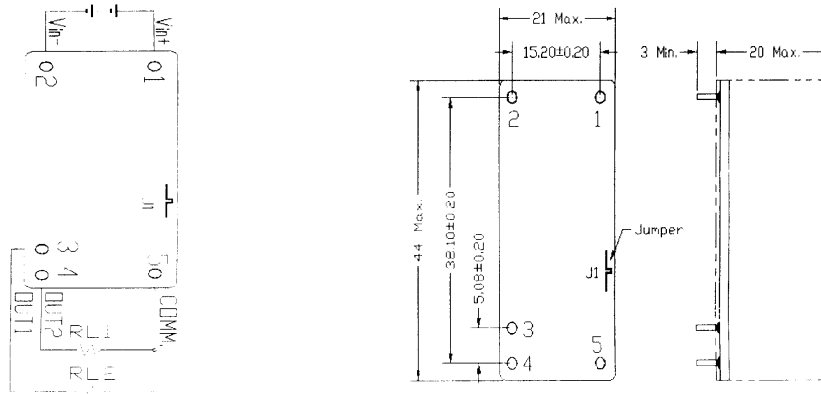
1. Electrical characteristics

Item	SYM	Unit	Test condition	Ratings.
Efficiency	η			80%
OPEN CIRCUIT VOLTAGE	Voc	Vrms	Vin = 5.0VDC	900 Typ.
O/P VOLTAGE	Vout	Vrms	Vin = 5.0VDC	450 Max.
O/P CURRENT	Iout	mArms	Vin = 5.0VDC	5 x 2
O/P FREQUENCY	fosc	KHz	Vin = 5.0VDC	30 Typ

2. Absolute maximum ratings

Item	SYM	Min.	Max.	Unit
INPUT VOLTAGE	Vin	4.5	5.5	VDC
OPERATING TEMP.	Top	0	50	°C
STORAGE TEMP.	Tstg	-20	85	°C

3. Outline dimension (in mm) & Pin configuration:



Note:

- a. Pin numbers 2 and 5 are connected by jumper (J1). Cut this jumper to let the secondary side float with respect to the primary side.
- b. Connecting pin 3 and 4 can drive a lamp drawing twice the inverters rated output current.
- c. Opening pin 4 can drive a lamp drawing 1.2 times the inverters rated output current.
- d. Keep the ripple noise present in the applied input voltage to within $\pm 3\%$ p-p of the rated input voltage.