

# Centronic Connector Solder Type With Metal Shell

## 57 Series

### MALE

#### Specifications:

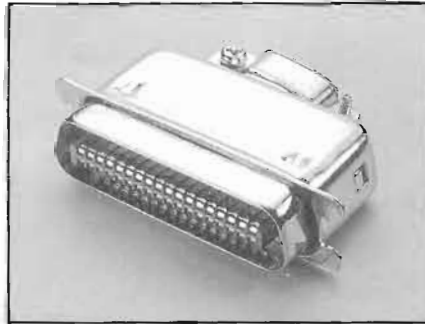
Shell: Steel Nickel plated  
 Pin Contact: Phosphor bronze Gold plated over nickel  
 Insulator: PBT & Glass-fiber reinforced UL-94V-0  
 Number Of Contact: 14, 24, 36, 50  
 Current Rating: 5 amp.  
 Dielectric Strength: 1000V for one minute  
 Insulator Resistance: 1000MΩ Min. at 500V DC  
 Temperature: -55°C ~ +105°C

### FEMALE

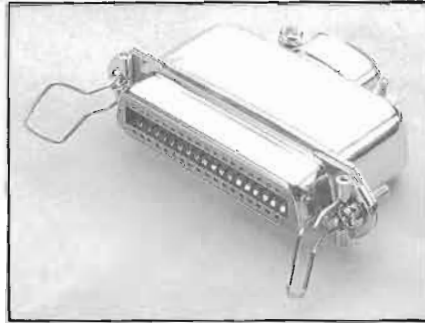
#### Specifications:

Shell: Steel Nickel plated  
 Socket Contact: Phosphor bronze Gold plated over nickel  
 Insulator: PBT & Glass-fiber reinforced UL-94V-0  
 Number Of Contact: 14, 24, 36, 50  
 Current Rating: 5 amp.  
 Dielectric Strength: 1000V for one minute  
 Insulator Resistance: 1000MΩ Min. at 500V DC  
 Temperature: -55°C ~ +105°C

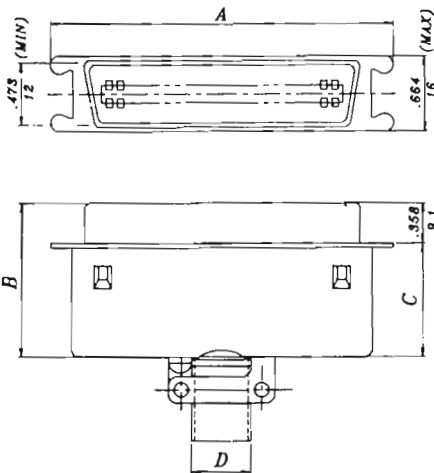
### 57-30 SERIES



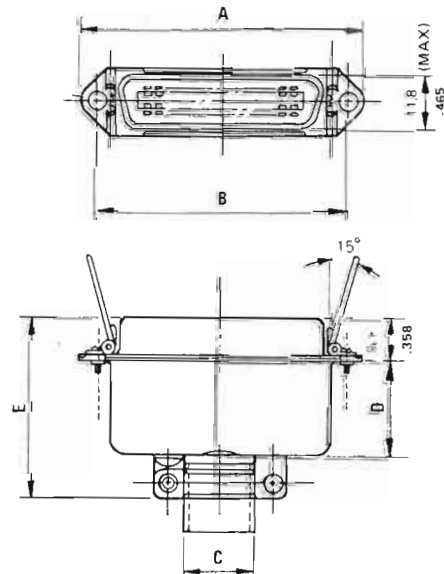
### 57-60 SERIES



### 57-30 SERIES



### 57-60 SERIES



### DIMENSIONS

Shell Size	A	B	C	D
57-30140	1.488 37.8	1.630 41.0	.843 21.4	7.6 × 10.4
57-30240	1.913 48.6	1.614 41.4	.827 21.0	11.3 × 11.8
57-30360	2.425 61.6	1.669 42.4	.906 23.0	15.8 × 11.8
57-30500	3.020 76.7	1.772 45.0	1.000 25.4	19 × 11.8

MALE: PIN CONTACT

### DIMENSIONS

Shell Size	A	B	C	D	E
57-60140	1.728 43.9	1.417 36.0	7.6 × 10.4	.843 21.4	1.630 41.4
57-60240	2.154 54.7	1.843 46.8	11.3 × 11.8	.827 21.0	1.614 41.0
57-60360	2.665 67.7	2.350 59.7	15.8 × 11.8	.906 23.0	1.669 42.4
57-60500	3.260 82.8	2.949 74.9	19 × 11.8	1.000 25.4	1.772 45.0

FEMALE: SOCKET CONTACT