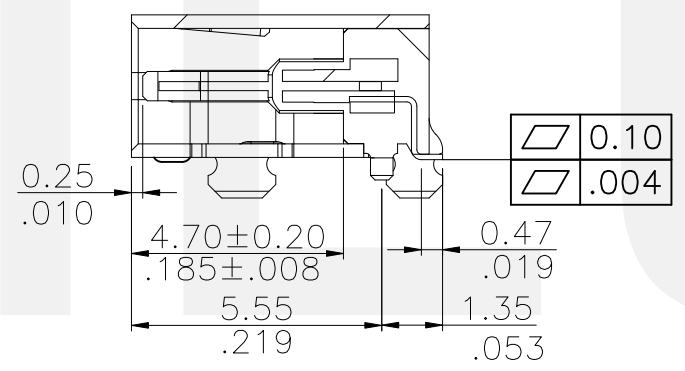
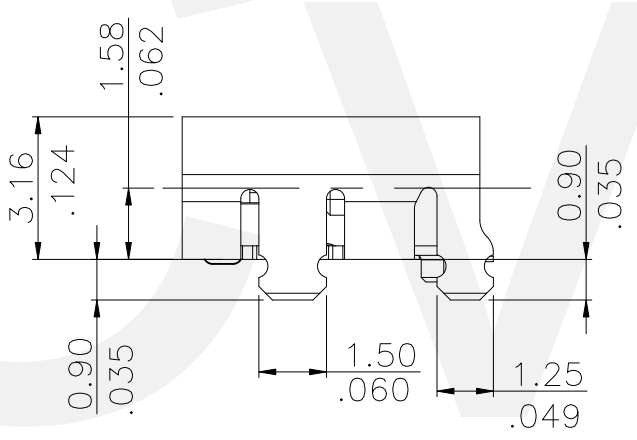
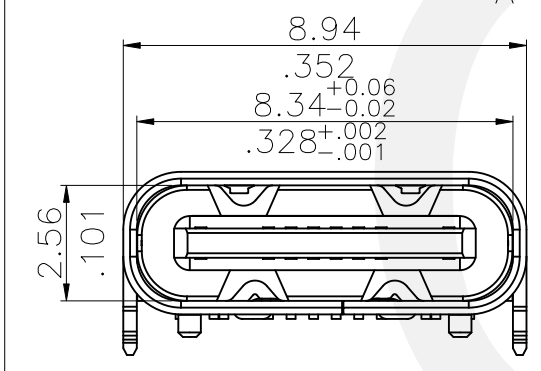
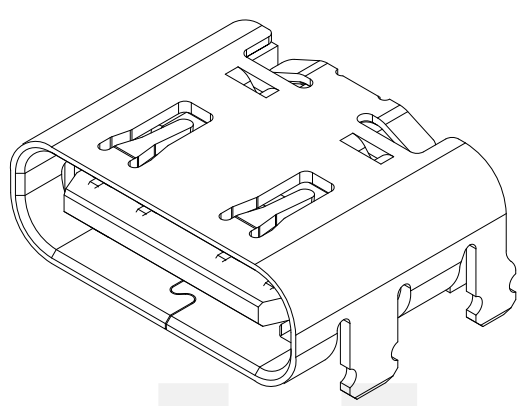
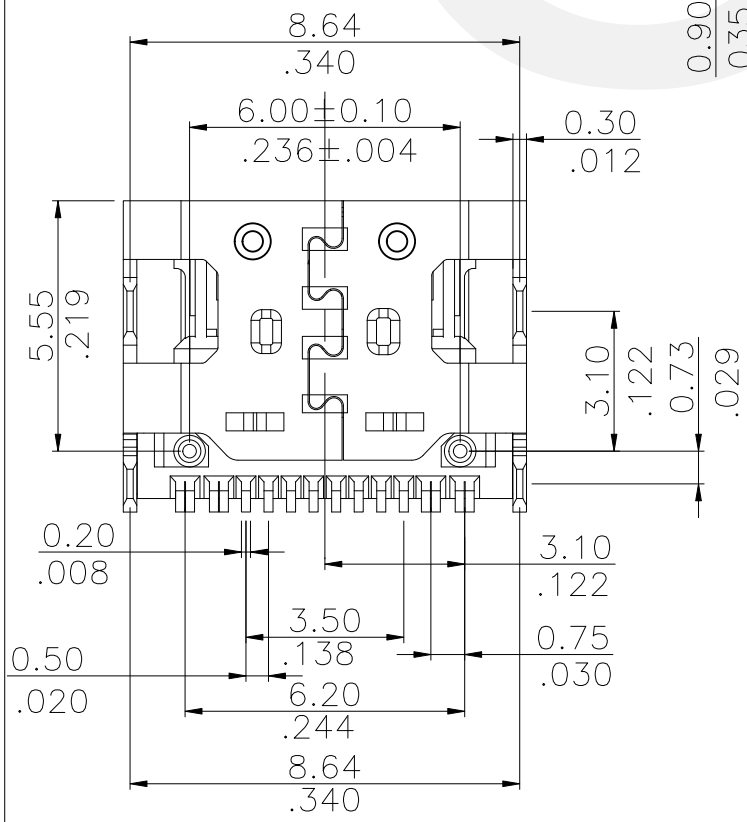


Example of laser code:
2133
How many weeks does it represent
Representative year



SECTION A-A



NOTE 1. PIN ASSIGNMENT (P.C.B PADS)

1	2	3	4	5	6	7	8	9	10	11	12
B12/A1	A4/B9	A5	B8	B7	A6	B6	A7	B5	A8	B4/A9	A12/B1
GND	Vbus	CC1	SBU2	D-	D+	D+	D-	CC2	SBU1	Vbus	GND

MATERIAL:

- 1.HOUSING: LCP, GLASS FIBER FILLED, BK
- 2.CONTACT: COPPER ALLOY
- 3.SHIELD: STAINLESS STEEL

FINISH:

- CONTACT: SEE ORDER INFORMATION
- SHELL: NICKEL PLATING

Ordering Code:

CU32 16 S * S D L R 013 -NH
① ② ③ ④ ⑤ ⑥ ⑦ ⑧ ⑨

- ① Series No.CU32
- ② No of Circuits:16Pin
- ③ S= Socket
- ④ Plating option:
A= Gold Flash plated on Contact area,
Matte Tin plated on Solderails,
Nickel underplating over all
2= Gold flash over 50u" (1.27um)
Nickel
- ⑤ Shell Material & Plating:
S=SUS 304 Ni Plated
- ⑥ Contact Material: D=Copper Alloy
- ⑦ Insulator Material & Color option:
L=Lcp Black
- ⑧ Packing R= Tape & Reel
- ⑨ -NH= For Lead Free wave or IR Reflow
Processes & Halogen Free

Halogen-Free RoHS Compliant

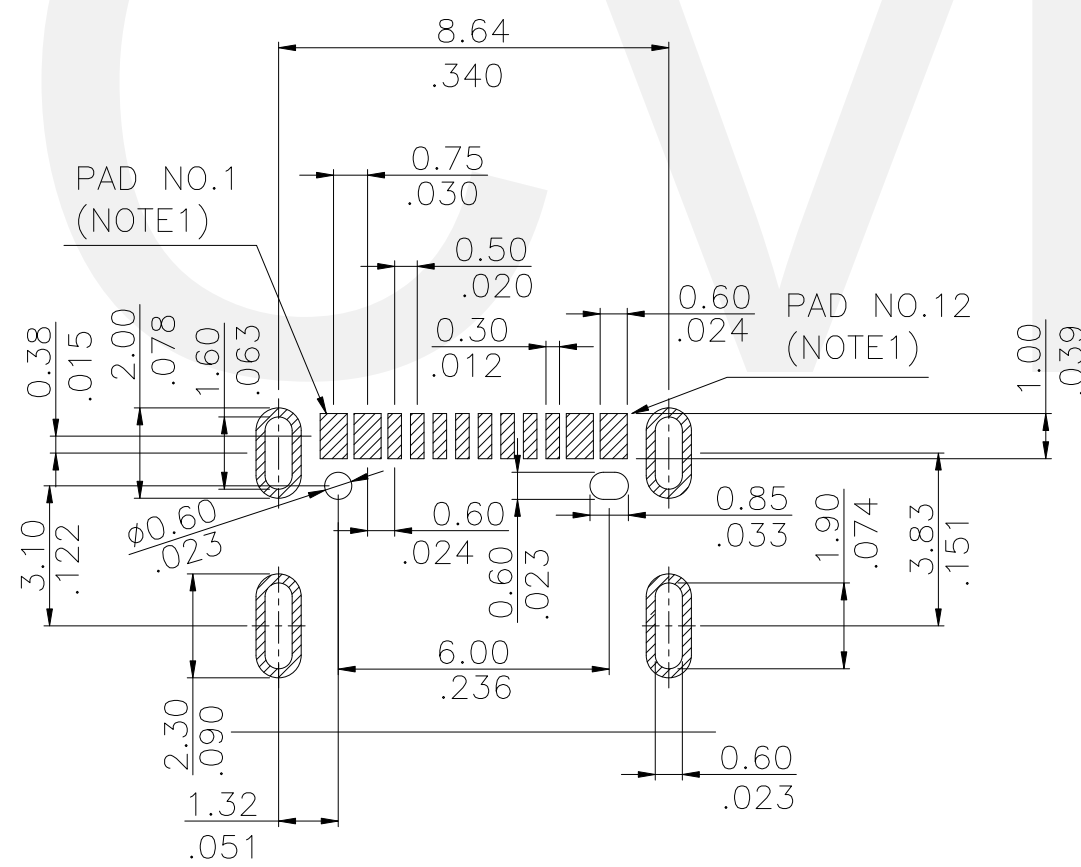


瀚荃股份有限公司
CviLux Corporation

4				DATE	UNIT: mm / inch	TITLE: Type C/F 16 PIN CH=1.68mm SMT TYPE TOP MOUNT TYPE
3				DRAWN BY: Annie	08/10-22'	TOLERANCE UNLESS OTHERWISE SPECIFIED
2				ENGINEER: Gavin	08/10-22'	.X ± 0.25/.010 X.* ± 4'
1				CHECKED BY: Keny	08/10-22'	.XX ± 0.20/.008 .X.* ± 2'
SYM	NAME	DATE	REVISIONS	APPROVED BY: Keny	08/10-22'	.XXX ± 0.10/.004 .XX.* ±

CviLux Corp
2024/09/09
ISSUED

DRAWING NO.	CU32S13SA	PART NO.	CU3216S*SDLR013-NH
SCALE	1 / 1	SHEET	1 OF 3



RECOMMENDED P.C.B. LAYOUT (T:1.00mm)
TOLERANCE ±0.05mm

USB TYPE-C FULL-FEATURED RECEPTACLE INTERFACE PIN ASSIGNMENTS

PIN	Signal Name	Description	PIN	Signal Name	Description
A1	GND	Ground return	B12	GND	Ground return
A2			B11		
A3			B10		
A4	Vbus	Bus Power	B9	VBUS	Bus Power
A5	CC1	Configuration Channel	B8	SBU2	Sideband Use(SBU)
A6	Dp1	Positive half of the USB 2.0 differential pair-Position 1	B7	Dn2	Negative half of the USB 2.0 differential pair-Position 2
A7	Dn1	Negative half of the USB 2.0 differential pair-Position 1	B6	Dp2	Positive half of the USB 2.0 differential pair-Position 2
A8	SBU1	Sideband Use(SBU)	B5	CC2	Configuration Channel
A9	VBUS	Bus Power	B4	VBUS	Bus Power
A10			B3		
A11			B2		
A12	GND	Ground return	B1	GND	Ground return

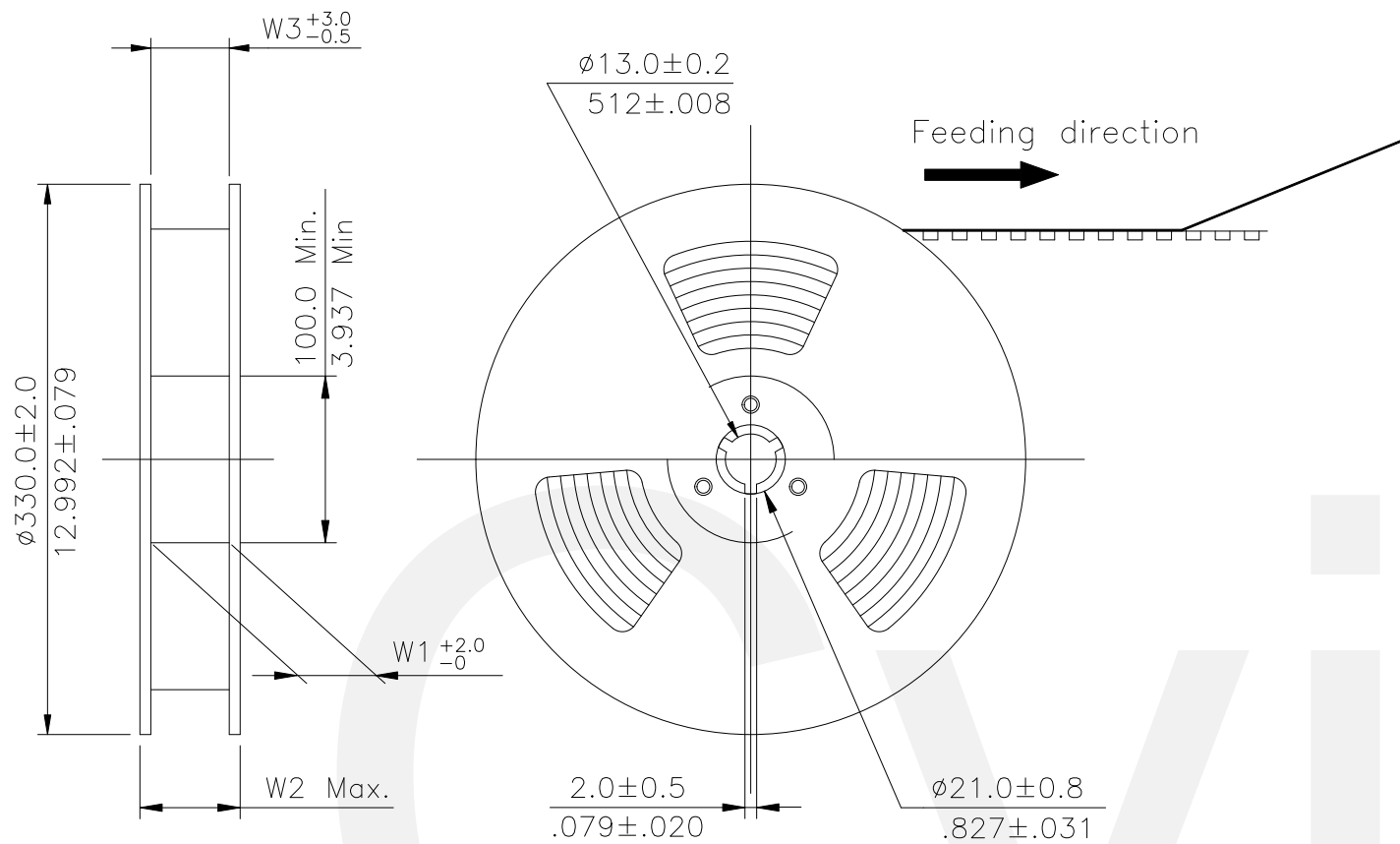
Halogen-Free RoHS Compliant

4				DATE	UNIT: mm / inch	TITLE: Type C/F 16 PIN CH=1.68mm SMT TYPE TOP MOUNT TYPE
3				DRAWN BY: Annie	08/10-22'	
2				ENGINEER: Gavin	08/10-22'	FINISH:
1				CHECKED BY: Keny	08/10-22'	
SYM	NAME	DATE	REVISIONS	APPROVED BY: Keny	08/10-22'	



瀚荃股份有限公司
CviLux Corporation

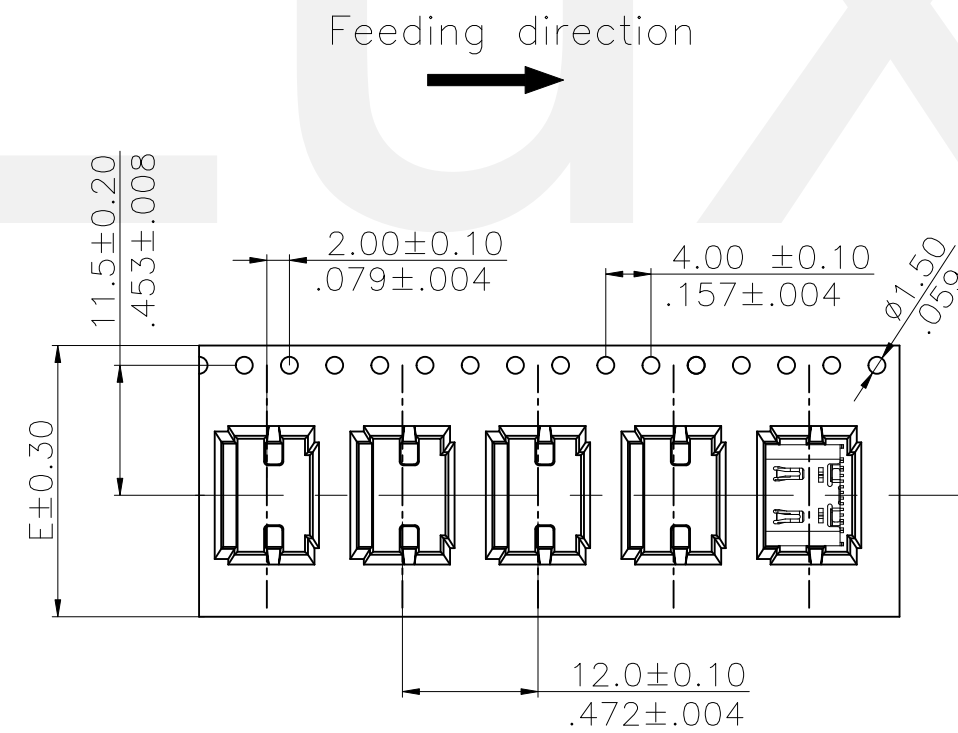
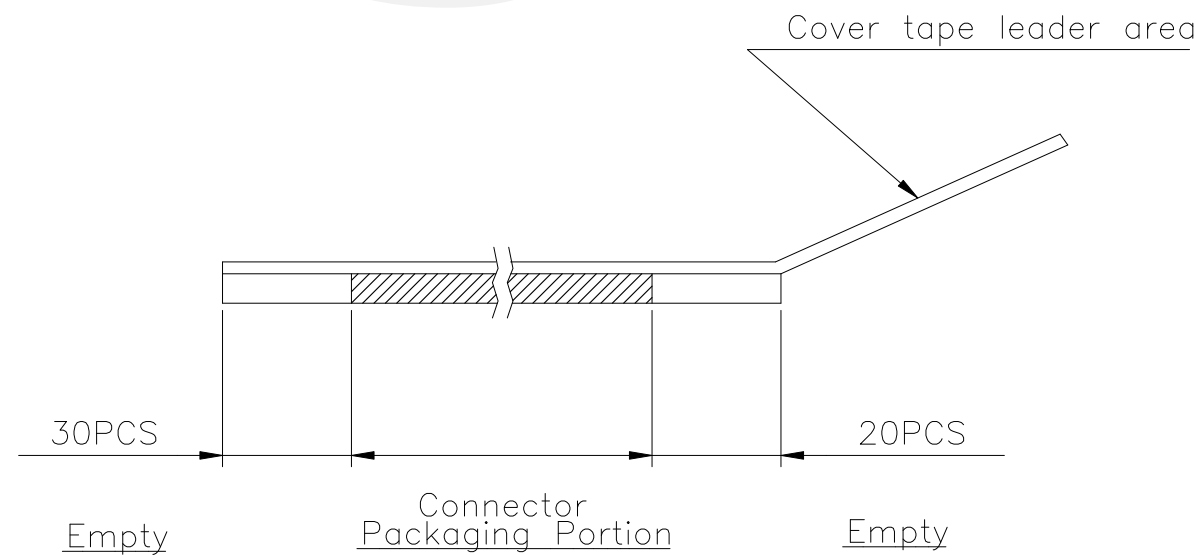
DRAWING NO.	CU32S13SA	PART NO.	CU3216S*SDLR013-NH
SCALE	1 / 1	SHEET	2 OF 3



NOTE :

- * Reel Material : HIPS
- * Carrier Material : Clear, Conductive Polystyrene Alloy
- * Cover Tape Material : Polyester
- * Cover Tape Peel Strength : 0.1N – 1.3N
- * Carrier camber is within 1mm in 250mm
- * All dimensions meet EIA-481-B requirements.
- * Quantity : 800 PCS/Reel

Dimension				Packing (Reel/Carton)
E	W1	W2	W3	
24.0(.945)	24.5(.965)	30.5(1.201)	24.5(.965)	10



Halogen-Free RoHS Compliant



4				DATE	UNIT: mm / inch	TITLE: Type C/F 16 PIN CH=1.68mm SMT TYPE TOP MOUNT TYPE		
3				08/10-22'	TOLERANCE UNLESS OTHERWISE SPECIFIED	MATERIAL:		
2				08/10-22'			.X ±	X' ± 1'
1				08/10-22'			.XX ±	.X' ±
SYM	NAME	DATE	REVISIONS	APPROVED BY: Keny	08/10-22'	FINISH:		

CviLux Corp
2024/09/09
ISSUED

DRAWN BY: Annie
ENGINEER: Gavin
CHECKED BY: Keny
APPROVED BY: Keny

DRAWING NO.	CU32S13SA	PART NO.	CU3216S*SDLR013-NH
SCALE		SHEET	3 OF 3