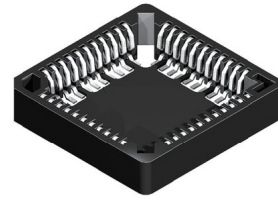
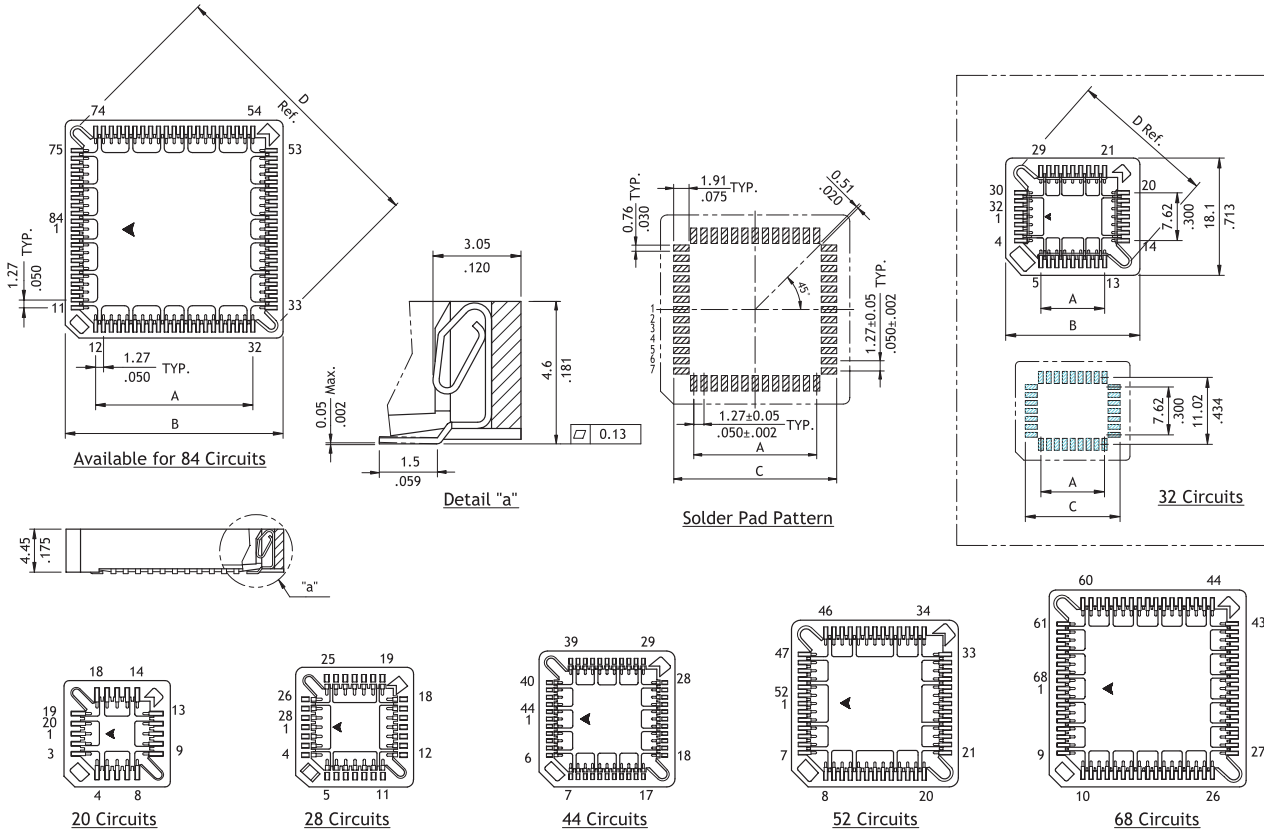


**CS22 Series 1.27mm(.050") SMT PLCC Chip Carrier Socket**

- ⊙ With standoff prevent flux wicking
- ⊙ Low cost and reliable
- ⊙ Insulator: Glass filled polyester
- ⊙ Contact: Tin plated Phosphor Bronze



**RoHS** Compliant



Circuits	Dimension			
	A	B	C	D
20	5.08(.200)	15.66(.617)	10.03(.395)	17.28(.680)
28	7.62(.300)	18.20(.717)	12.57(.495)	20.87(.822)
32	10.16(.400)	20.70(.815)	15.11(.595)	22.80(.898)
44	12.70(.500)	23.28(.917)	17.65(.695)	28.10(1.106)
52	15.24(.600)	25.82(1.017)	20.19(.795)	31.65(1.246)
68	20.32(.800)	30.90(1.217)	25.27(.995)	38.85(1.530)
84	25.40(1.000)	35.98(1.417)	30.35(1.195)	46.50(1.831)

**Ordering Code**

① CS 2 2    ② 8 4    ③ 1    ④ 0    ⑤ 0 0 0

- ① Series No.
- ② No. of Circuits: See above table
- ③ Plating Code: 1 = Tin over Nickel
- ④ Color: 0 = Nature
- ⑤ Other Options:  
 000 = Standard  
 0R0 = Tape & Reel  
 \*Special options consult manufacturer