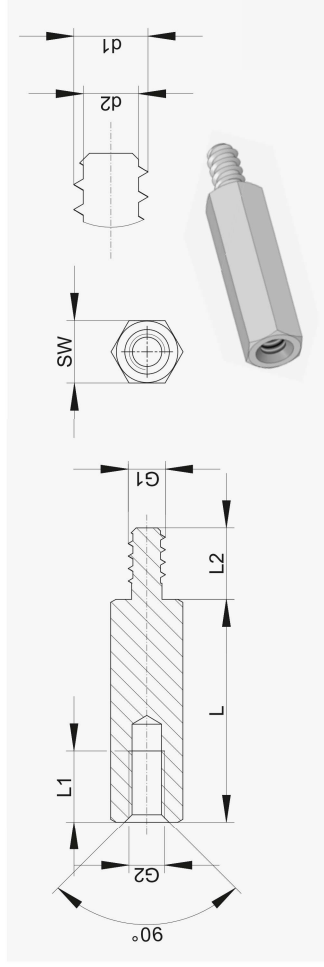


**Spacer bolts** with self-tapping thread  
Brass



**Spacer bolts**

Type hexagonal

Design internal / external with undercut DIN 76-B (optional without undercut)

Material brass CuZn39Pb3

Surface nickel-plated (optional uncoated)

MOQ 100 pcs

Internal thread G2 [mm]

L	L1
8	5
10	6
12	7
15	10
20	10

External thread G1 [mm]

Thread size	L2	d1	d2
ST2.2	5	2.1	1.6
ST2.9	6	2.8	2.1
ST3.3	6	3.2	2.3
ST3.5	7	3.4	2.6
ST4.2	8	4.1	3.0
ST4.8	8	4.7	3.5
ST6.3	10	6.1	4.8

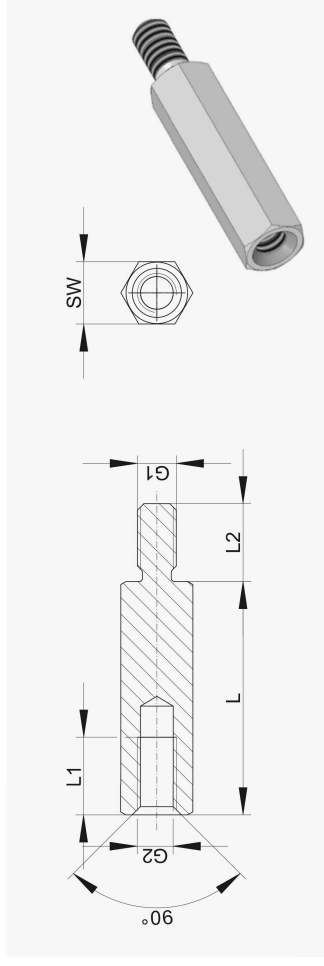
Tolerance for length dimensions: +/- 0.1 mm

Order number	Hexagonal size (SW)	External thread (G1)	Internal thread (G2)	Standard lengths in mm (L)
212ST2.2 x 150f	SW5	ST2.2	M2.5	08 10 12 15 20
214ST2.9 x	SW5.5	ST2.9	M3	08 10 12 15 20
214ST3.3 x	SW5.5	ST3.3	M3	08 10 12 15 20
215ST3.5 x	SW6	ST3.5	M3	08 10 12 15 20
216ST4.2 x	SW7	ST4.2	M4	08 10 12 15 20
218ST4.8 x	SW8	ST4.8	M5	08 10 12 15 20
219ST6.3 x	SW10	ST6.3	M6	10 12 15 20

Order sample: 212ST2.2 x 150f = DIA/ brass / SW5 / M2.5 - ST2.2 x 150f



**Spacer bolts** with UNC threads  
Brass



**Spacer bolts**

Type hexagonal

Design internal / external with undercut DIN 76-B (optional without undercut)

Material brass CuZn39Pb3

Colour nickel-plated (optional uncoated)

MOQ 100 pcs

Thread lengths [mm]

L	L1	L2
5	3	4, 5, 6, 10, 12
6	4	6, 8

All UNC-Versions are available in steel, in other lengths as well as with UNC6-32, UNC6-32 and UNC2-56 threads. The tolerance for length dimensions: +/- 0.1 mm

Order number	Hexagonal size (SW)	Internal thread (G2)	External thread (G1)	Standard lengths in mm (L)
2100 x (length)	SW5	UNC4-40	UNC4-40	05 06
2103 x	SW5	UNC4-40	M3	05 06
2130 x	SW5	M3	UNC4-40	05 06

Order sample: 2100 x 05 = DIA / brass / SW5 / UNC4-40 x 50 / 12 (body length / external thread length)

