

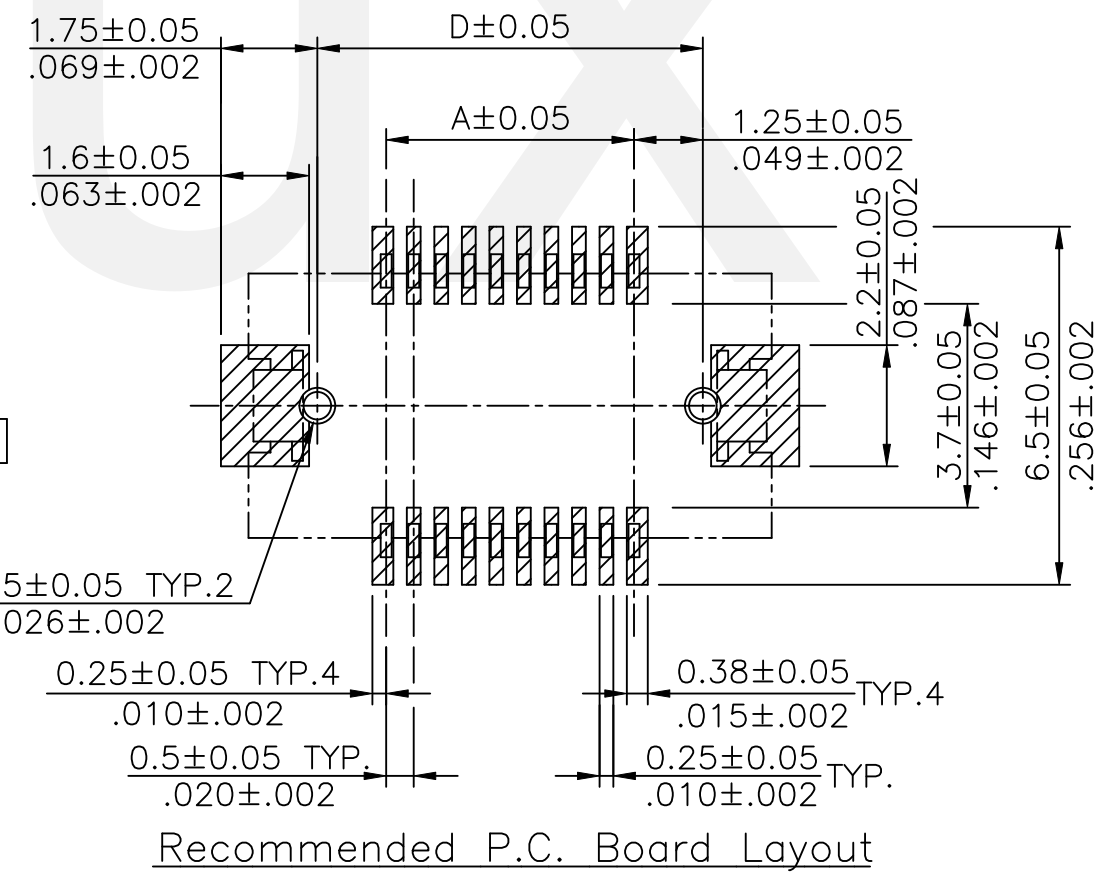
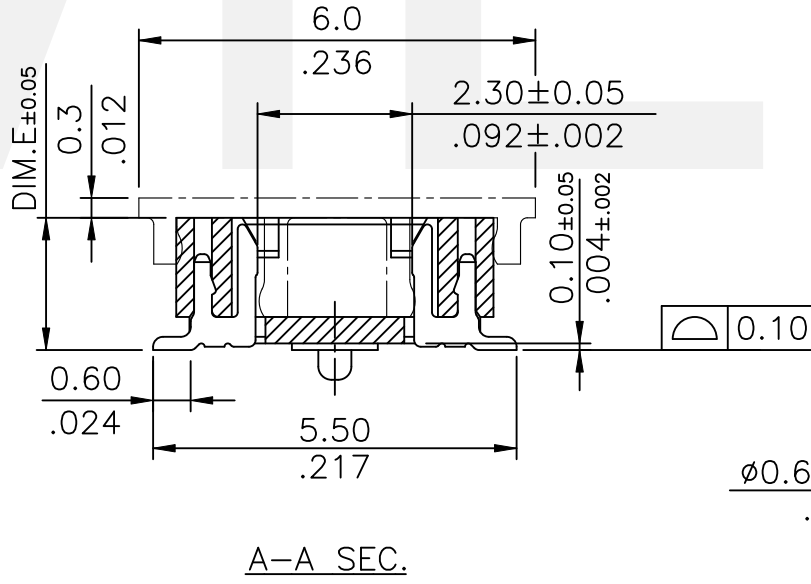
DIM.A = 0.50 * No. of Spaces
 DIM.B = DIM.A + 5.0
 DIM.C = DIM.A + 2.0
 DIM.D = DIM.A + 2.5
 * Available in 10 through 80 circuits

Ordering Code

CBRB 020 S A 2 F P1 R 0 -NH
 ① ② ③ ④ ⑤ ⑥ ⑦ ⑧ ⑨ ⑩

- ① Series No.
- ② No. of Circuits
- ③ Connector Type: S=Receptacle
- ④ Height:
 A: Dim.E= 2.0mm ; B: Dim.E= 2.5mm
 C: Dim.E= 3.0mm
- ⑤ Plating code:
 2= 0.05um(2.0u") Min. Gold Flash
 Plating on Contact area and
 Solder tails, 1.27um(50u") Nickel
 Underplating over all
- ⑥ Fixed Tab option:
 0= Without Fixed Tabs
 F= With Fixed Tabs

- Material:
 * Insulation:
 Glass filled Polyamide UL 94V-0
 Color Black
 * Contact: Copper alloy, t=0.2mm
 * Fixed Tab: Brass, t=0.2mm
 * Tab plating : 120u" min. Matte Tin Plated
 over 50u"min. Nickel
- ⑦ Pegs Option:
 00= Without Pegs
 P1= With Pegs
 - ⑧ Packing Option:
 R= Tape & Reel
 - ⑨ Other option code:
 0= Standard
 - ⑩ -NH= For Lead Free Reflow Processes
 and Halogen-Free



Halogen-Free Lead Free Process RoHS Compliant

④	Wayne	9/13-24'	ECNT123179/ECRB123029		DATE	UNIT: mm / inch	TITLE:	瀚荃股份有限公司 CviLux Corporation
③	Sandy	7/10-14'	ECNT114140	DRAWN BY: Wayne	11/06-24'	TOLERANCE UNLESS OTHERWISE SPECIFIED .X ± 0.30/.012 X' ± 1" .XX ± 0.20/.008 .X' ±		
②	Enya	12/10-12'	ECN12314-0/ECR12089-	ENGINEER: Sun	11/06-24'			
①	Karen	10/25-12'	ECN12242-0/ECR12031-1	CHECKED BY: Eisley	11/06-24'	.XXX ± 0.10/.004 .XX' ±		
SYM	NAME	DATE	REVISIONS	APPROVED BY: Eisley	11/06-24'			

CviLux Corp
 2024/11/08
 ISSUED

DRAWING NO.	CBRB30SE	PART NO.	CBRB***S*2***R0-NH
SCALE	6 / 1	SHEET	1 OF 3

Male	<p>CBRB***PA*FP1R0-NH</p>	<p>CBRB***PA*FP1R0-NH</p>	<p>CBRB***PC*FP1R0-NH</p>	<p>CBRB***PC*FP1R0-NH</p>
Female	<p>CBRB***SA*FP1R0-NH</p>	<p>CBRB***SB*FP1R0-NH</p>		<p>CBRB***SC*FP1R0-NH</p>
Mating Height				

Halogen-Free

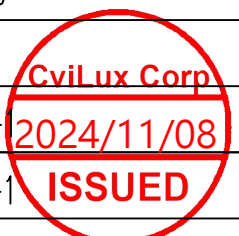
Lead Free Process

RoHS Compliant

4	Wayne	9/13-24'	ECNT123179/ECRB123029		DATE	UNIT: mm / inch	TITLE: 0.50mm(.002") Board To Board Receptacle Connector (For Mating height 2.5/3.0/3.5/ 4.0/4.5/5.0mm)
3	Sandy	7/10-14'	ECNT114140	DRAWN BY: Wayne	11/06-24'	TOLERANCE UNLESS OTHERWISE SPECIFIED	
2	Enya	12/10-12'	ECN12314-0/ECR12089-	ENGINEER: Sun	11/06-24'	.X ± 0.30/.012 X' ± 1"	
1	Karen	10/25-12'	ECN12242-0/ECR12031-1	CHECKED BY: Eisley	11/06-24'	.XX ± 0.20/.008 X' ±	
SYM	NAME	DATE	REVISIONS	APPROVED BY: Eisley	11/06-24'	.XXX ± 0.10/.004 .XX' ±	



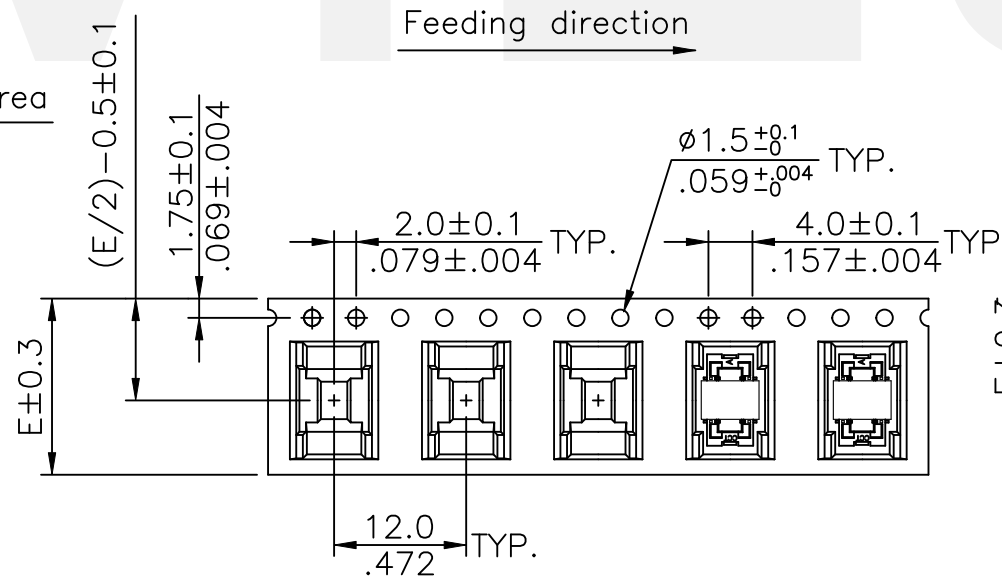
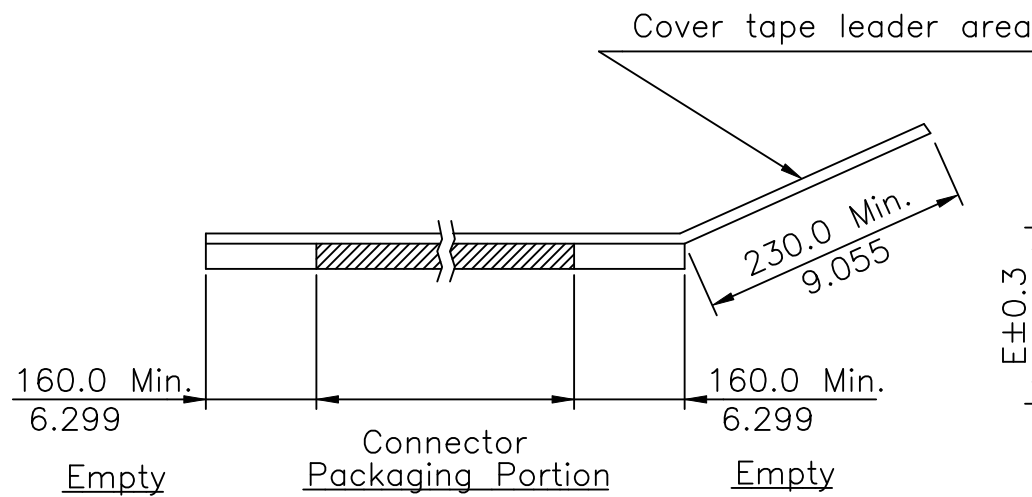
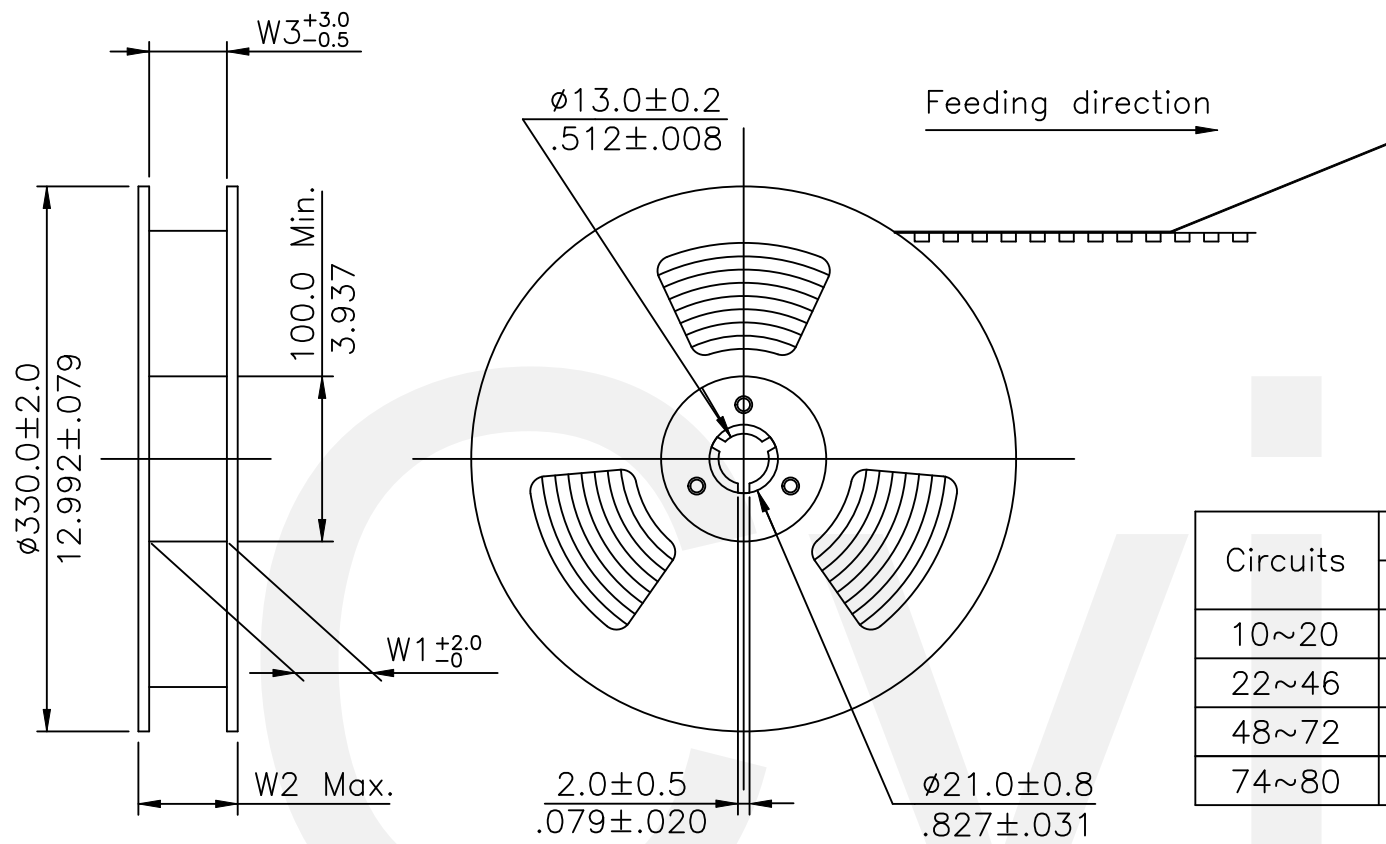
DRAWING NO.	CBRB30SE	PART NO.	CBRB***S*2***R0-NH
SCALE	6 / 1	SHEET	2 OF 3



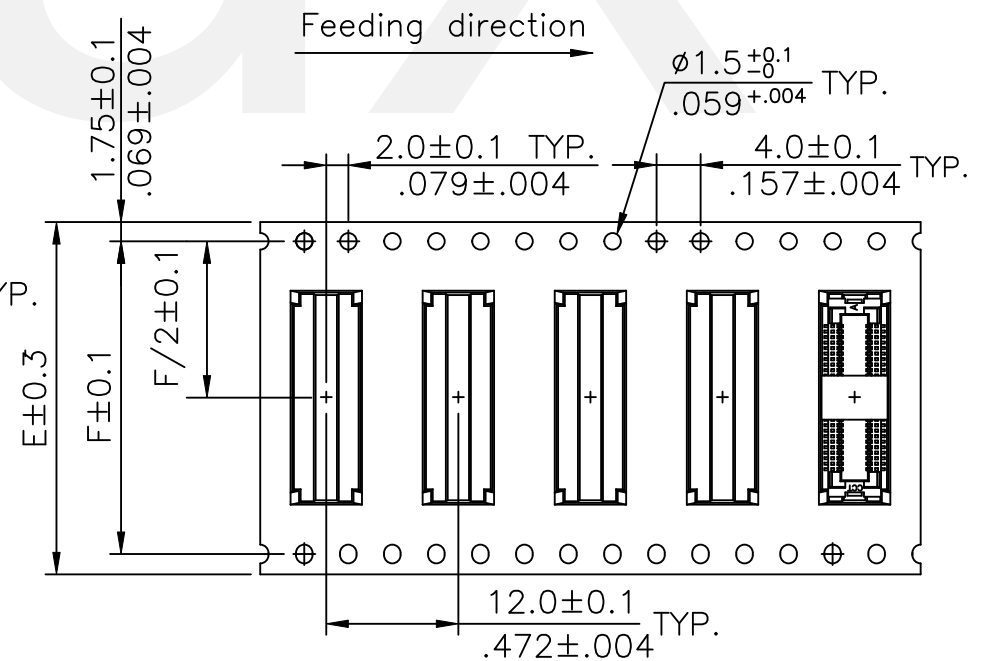
NOTE :

- △4 * Reel Material : HIPS
- * Carrier Material : Clear, Conductive Polystyrene Alloy
- * Cover Tape Material : Polyester
- * Cover Tape Peel Strength : 0.1N – 1.3N
- * Carrier camber is within 1mm in 100mm
- * All dimensions meet EIA-481-* requirements.
- * Quantity : 1500 PCS/Reel (CBRB0**SA*F*P**0-NH)
- * Quantity : 1000 PCS/Reel (CBRB0**SB/C*F*P**0-NH)

Circuits	Dimension					Packing (Reel/Carton)
	E	F	W1	W2	W3	
10~20	16.0(.630)	-	16.5(.650)	22.5(.886)	16.5(.650)	11
22~46	24.0(.945)	-	24.5(.965)	30.5(1.200)	24.5(.965)	9
48~72	32.0(1.260)	28.40(1.118)	32.5(1.280)	38.5(1.516)	32.5(1.280)	7
74~80	44.0(1.732)	40.40(1.591)	44.5(1.752)	50.5(1.988)	44.5(1.752)	5



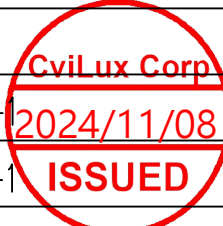
△1 △2 WIDTH : 16,24 mm Carrier



△1 WIDTH : 32,44 mm Carrier

RoHS Compliant

SYMBOL	NAME	DATE	REVISIONS	APPROVED BY:	DATE	UNIT:	TITLE:	SCALE	SHEET	OF	3
△4	Wayne	9/13-24'	ECNT123179/ECRB123029			mm / inch					
△3	Sandy	7/10-14'	ECNT114140	DRAWN BY:	Wayne	11/06-24'	TOLERANCE UNLESS OTHERWISE SPECIFIED				
△2	Enya	12/10-12'	ECN12314-0/ECR12089-1	ENGINEER:	Sun	11/06-24'	.X ±	X' ± 1'			
△1	Karen	10/25-12'	ECN12242-0/ECR12031-1	CHECKED BY:	Eisley	11/06-24'	.XX ±	.X' ±			
				APPROVED BY:	Eisley	9/27-24'	.XXX ±	.XX' ±			



0.50mm(.002") Board To Board
Receptacle Connector

DRAWING NO.	CBRB30SE	PART NO.	CBRB***S*2***R0-NH
SCALE		SHEET	3 OF 3