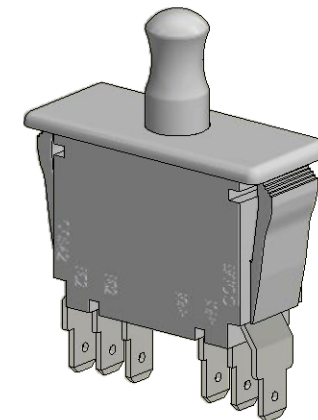
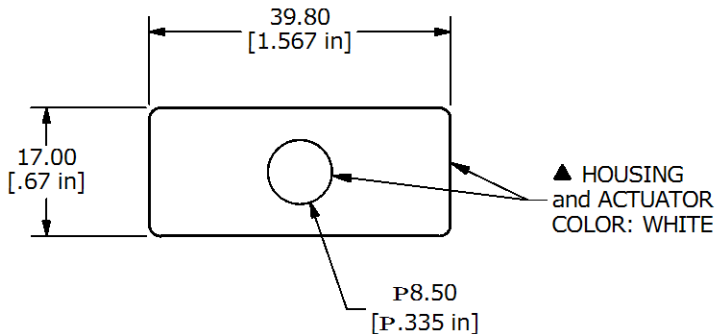
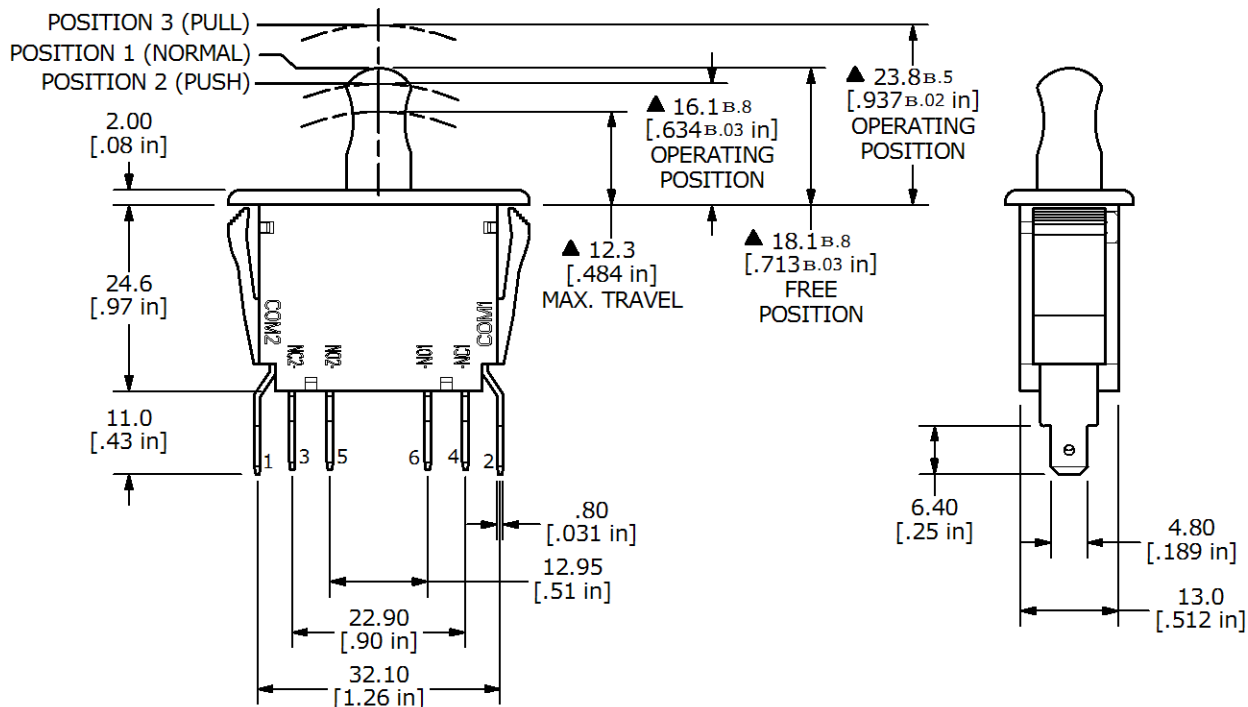


**RECOMMENDED PANEL CUTOUT**  
Panel Thickness 1.80-2.20mm



▲ SWITCH FUNCTION		
POS. 1	POS. 2	POS. 3
ON	(ON)	ON
1-3, 4-2	1-5, 6-2	1-5, 6-2

(ON) = MOMENTARY



NOTES:

- ALL DIMENSIONS IN MM
- GENERAL TOLERANCE: X.X = □0.4  
X.XX = □0.25
- TERM. NOS. FOR REFERENCE ONLY
- ELECTRICAL LIFE: 6,000 CYCLES
- OPERATING TEMP: 0°C to 85°C
- CONTACT RESISTANCE: 10m□ MAX. INITIAL
- RATING: 16A 125VAC [cURus]  
12A 250VAC [cURus]  
1HP 125/250VAC [cURus]
- MATERIALS:  
-BODY AND ACTUATOR: POLYAMIDE 6/6 (PA66)  
-TERMINALS: SILVER PLATED BRASS (H62)
- ▲ DENOTES CRITICAL PARAMETER

REV	ECO NO	DESCRIPTION	DATE	BY	
B					
					PP2-1U7-2B2