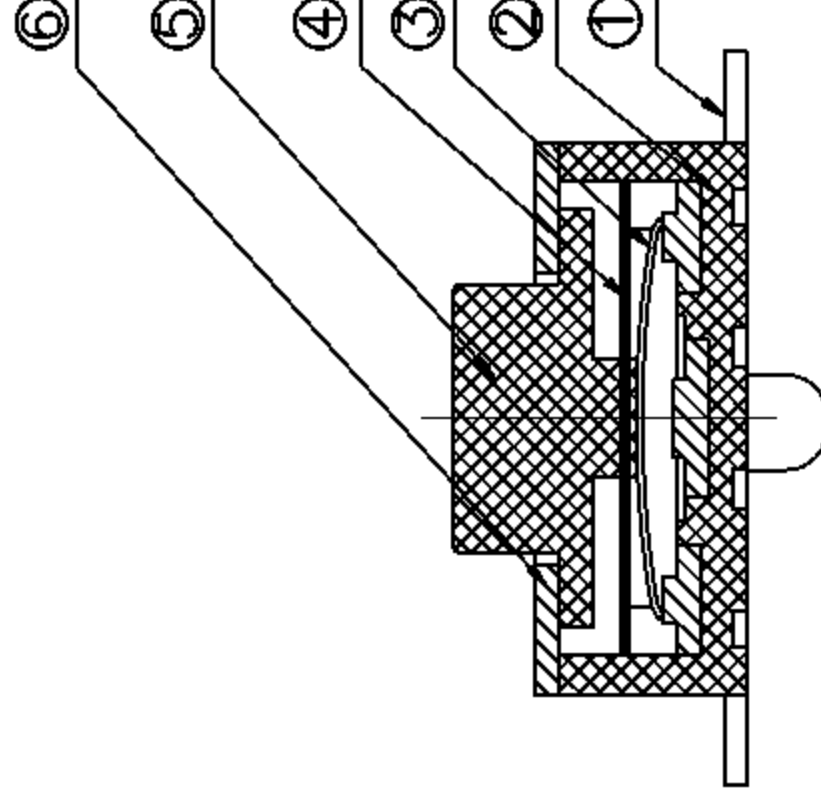
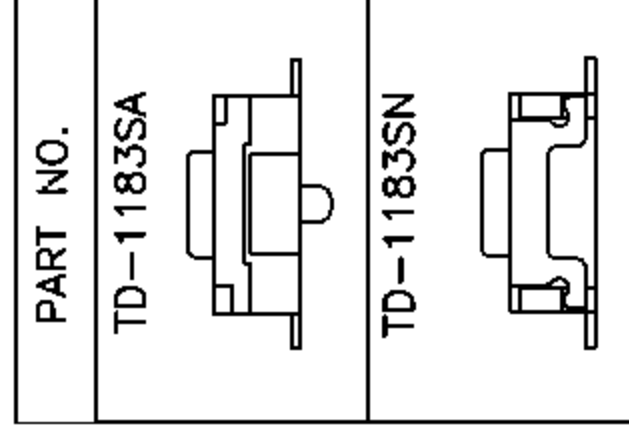
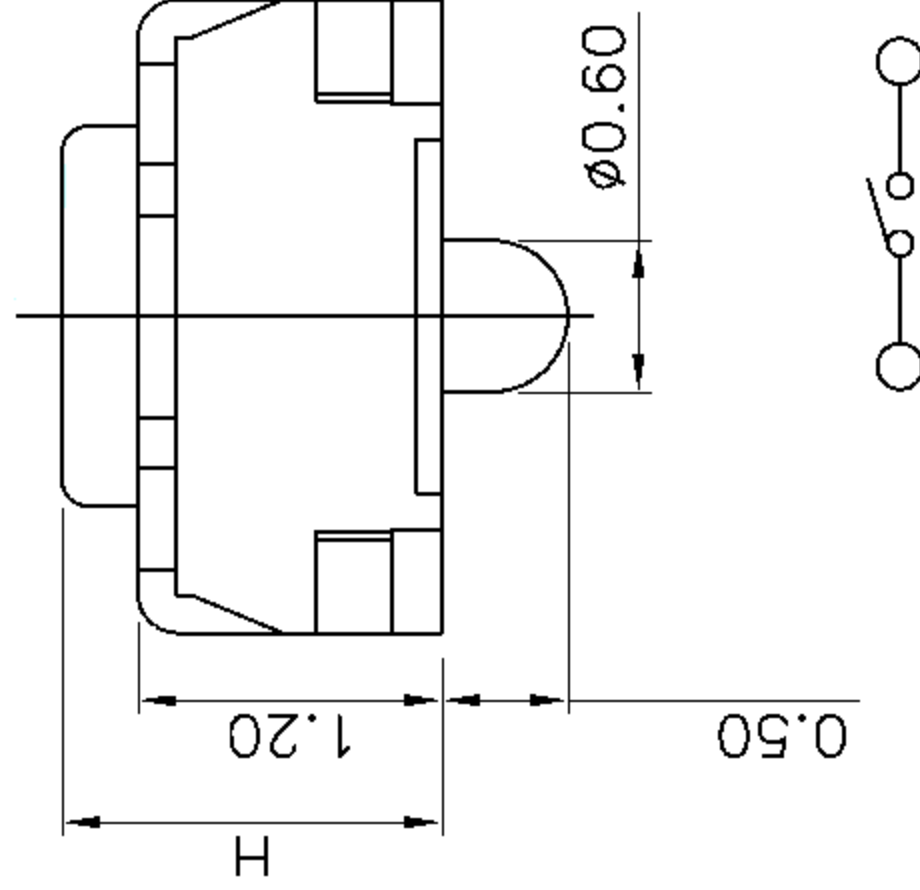
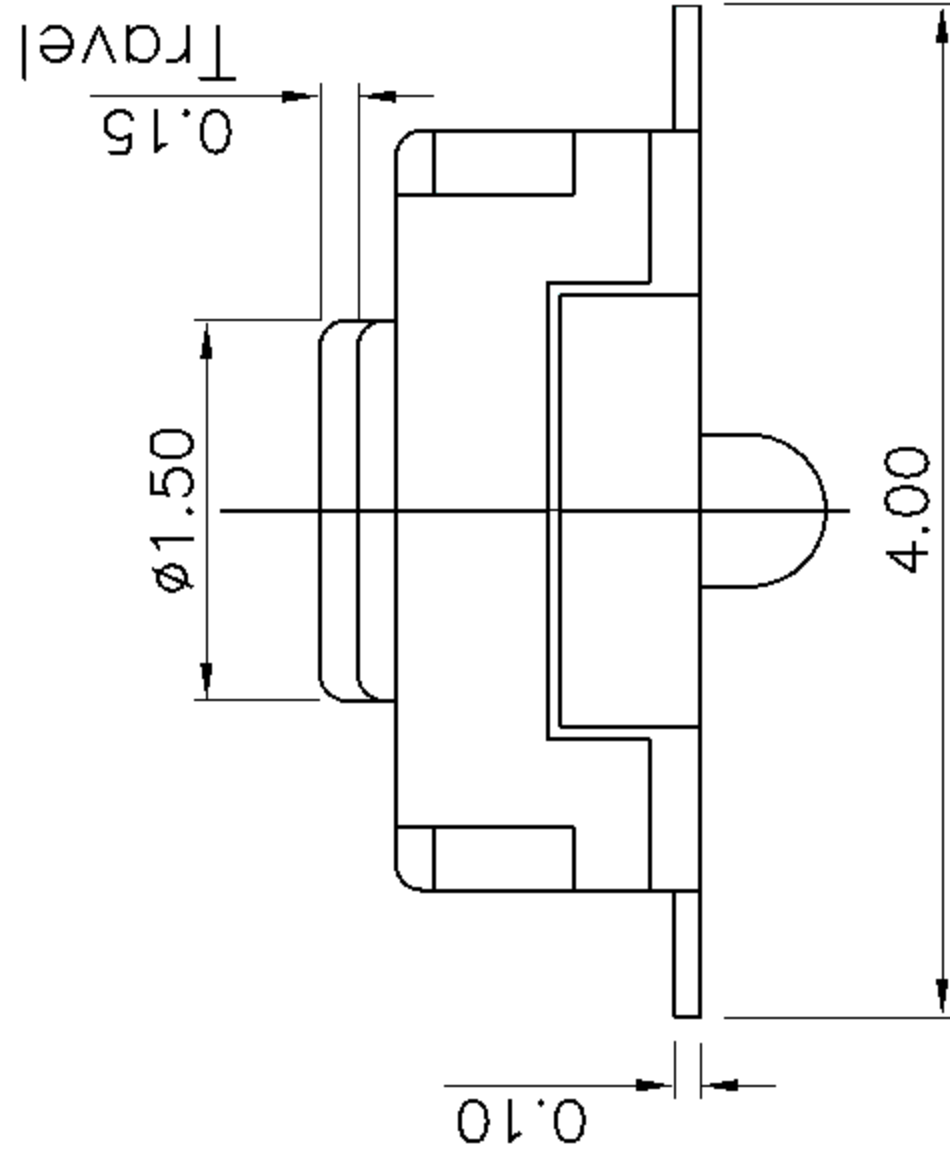


PCB Layout

NO.1	
PART NO	H
A	1.5
B	1.7

NO.2	
PART NO	vigor
070	70±30
100	100±50
160	160±50
250	250±50
320	320±80
350	350±80
520	520±130



ITEM	PART NAME	QTY.	MATERIAL	FINISHING
⑥	Cover	1	SUS	Natural
⑤	Knob	1	LCP	Black
④	Dust Cover	1	Kapton Film	Yellow
③	Contact	1	SUS	Plating silver
②	Base	1	LCP	White
①	Terminal	2	Phosphor Bronze	Plating silver

Circuit Diagram

APPROVALS		DATE
DRAWN		
CHECKED		
APPROVALS		

ECN NO.	REV.	DATE.	DESCRIPTION.	CHANGE.	CHECK.	APPRO.
	A		NEW			

TITLE:	TACT SWITCHES
PART NO.	TD-1183S□-XXH-XXX
UNIT: mm	SCALE: 1:1
DRAWING NO.	SHEET 1 OF 1
PROJECT	PROJ. ①

ANGLE	±2'
±0.30	±0.15
±0.20	±0.10
±0.15	±0.10
±0.10	±0.10

TOLERANCES ARE	±2'
30~20	±0.15
10~30	±0.20
5~10	±0.15
~ 5	±0.10