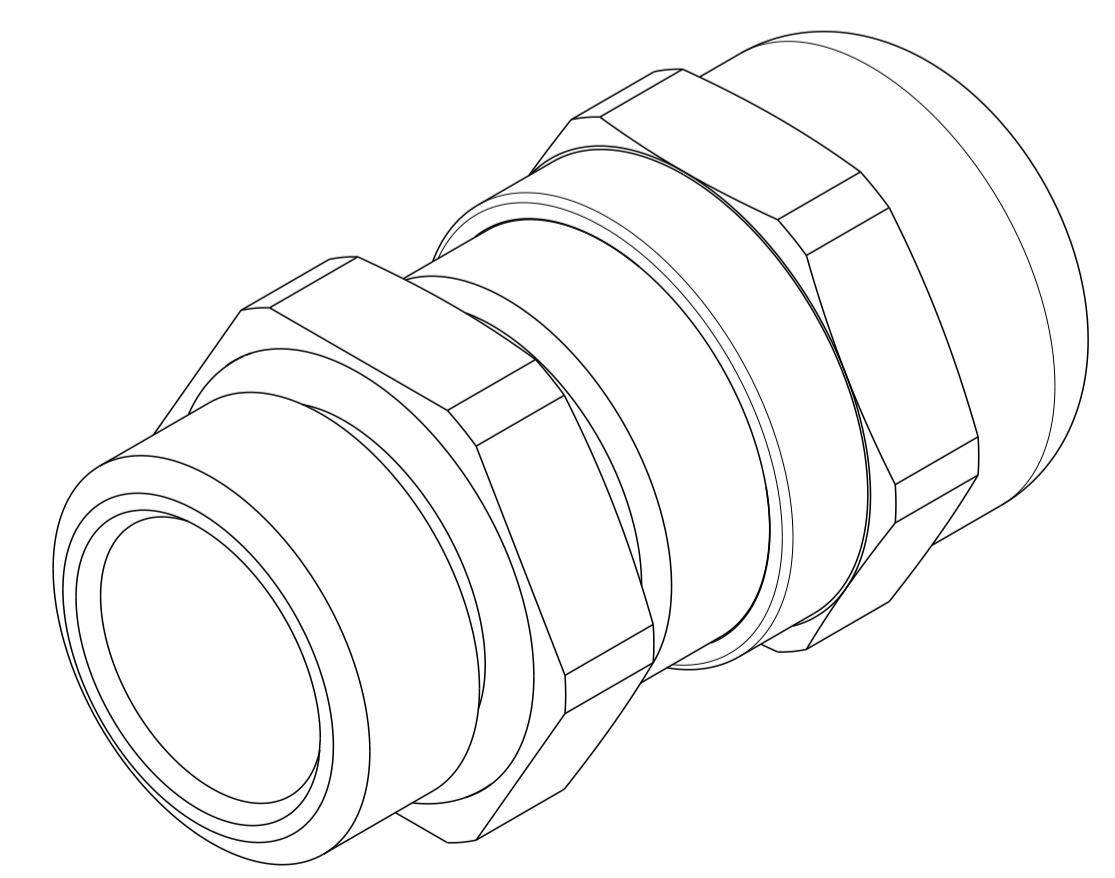
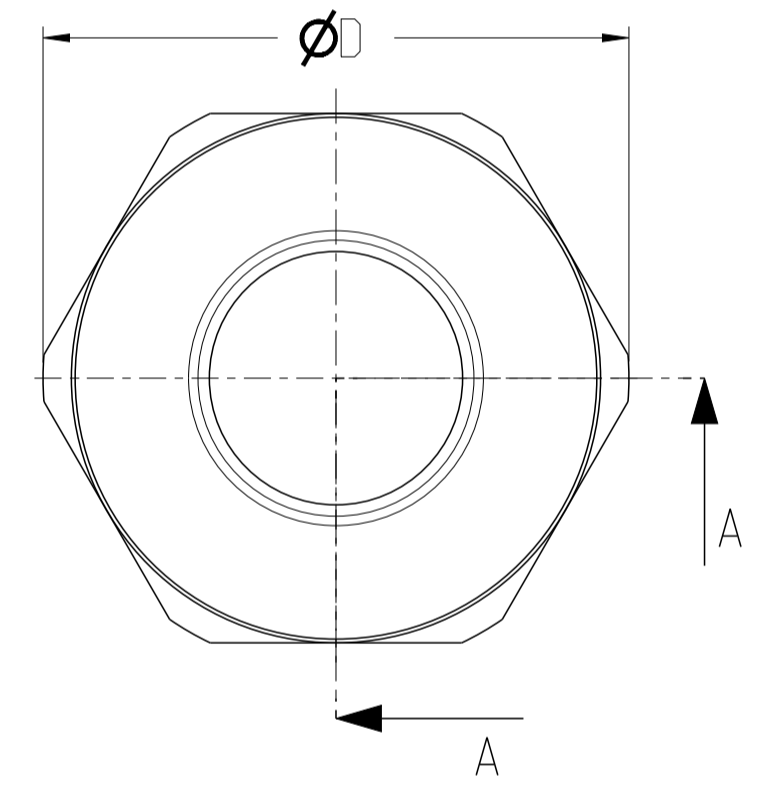
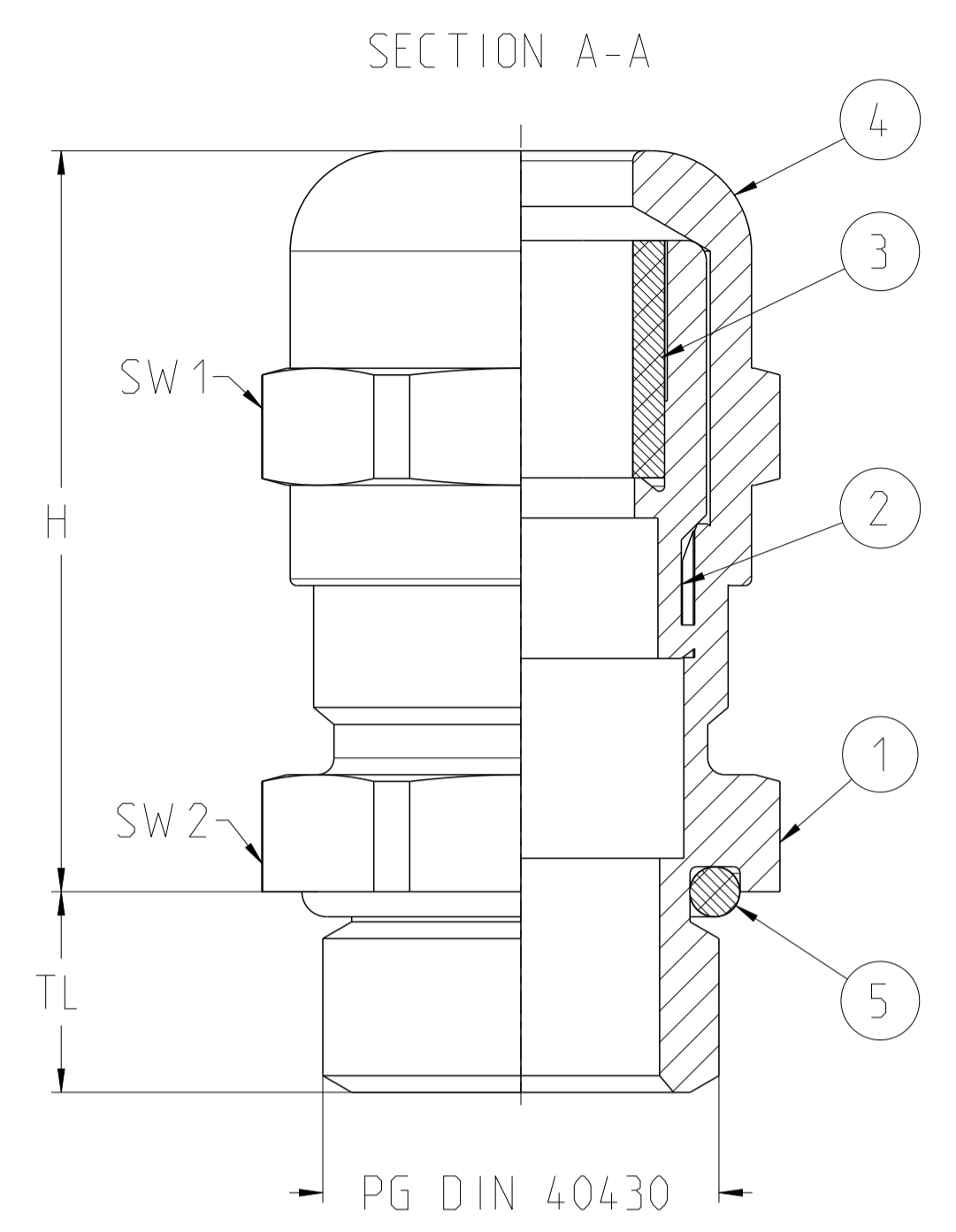


REVISIONS				
P	LTN	DESCRIPTION	DATE	APP'D
A		INITIAL REVISION	2/FEB2022	KR RM



TCPN	TE Product Type (Entrelec)	PG DIN 40430	TL	H	ØD	SW 1	SW 2	Clamping Range Ø min - max
1SNG602083R0000	EM-SG-PG7-MET-A	PG 7	6.0	22.2	15.5	14	14	2.0 - 5.0
1SNG602084R0000	EM-SG-PG7-MET-B	PG 7	10.0	22.2	15.5	14	14	2.0 - 5.0
1SNG602085R0000	EM-SG-PG7-MET-C	PG 7	6.0	22.2	15.5	14	14	3.0 - 6.5
1SNG602086R0000	EM-SG-PG7-MET-D	PG 7	10.0	22.2	15.5	14	14	3.0 - 6.5
1SNG602087R0000	EM-SG-PG9-MET-A	PG 9	6.0	23.3	18.9	17	17	2.0 - 6.0
1SNG602088R0000	EM-SG-PG9-MET-B	PG 9	10.0	23.3	18.9	17	17	2.0 - 6.0
1SNG602089R0000	EM-SG-PG9-MET-C	PG 9	6.0	23.3	18.9	17	17	4.0 - 8.0
1SNG602090R0000	EM-SG-PG9-MET-D	PG 9	10.0	23.3	18.9	17	17	4.0 - 8.0
1SNG602091R0000	EM-SG-PG11-MET-A	PG 11	6.0	25.9	22.0	20	20	3.0 - 7.0
1SNG602092R0000	EM-SG-PG11-MET-B	PG 11	10.0	25.9	22.0	20	20	3.0 - 7.0
1SNG602093R0000	EM-SG-PG11-MET-C	PG 11	6.0	25.9	22.0	20	20	5.0 - 10.0
1SNG602094R0000	EM-SG-PG11-MET-D	PG 11	10.0	25.9	22.0	20	20	5.0 - 10.0
1SNG602095R0000	EM-SG-PG135-MET-A	PG 13.5	6.5	24.5	24.5	22	22	5.0 - 9.0
1SNG602096R0000	EM-SG-PG135-MET-B	PG 13.5	10.0	24.5	24.5	22	22	5.0 - 9.0
1SNG602097R0000	EM-SG-PG135-MET-C	PG 13.5	6.5	24.5	24.5	22	22	6.0 - 12.0
1SNG602098R0000	EM-SG-PG135-MET-D	PG 13.5	10.0	24.5	24.5	22	22	6.0 - 12.0
1SNG602099R0000	EM-SG-PG16-MET-A	PG 16	6.5	28.0	26.5	24	24	7.0 - 12.0
1SNG602100R0000	EM-SG-PG16-MET-B	PG 16	10.0	28.0	26.5	24	24	7.0 - 12.0
1SNG602101R0000	EM-SG-PG16-MET-C	PG 16	6.5	28.0	26.5	24	24	10.0 - 14.0
1SNG602102R0000	EM-SG-PG16-MET-D	PG 16	10.0	28.0	26.5	24	24	10.0 - 14.0
1SNG602103R0000	EM-SG-PG21-MET-A	PG 21	7.2	32.8	33.0	30	30	9.0 - 16.0
1SNG602104R0000	EM-SG-PG21-MET-B	PG 21	12.0	32.8	33.0	30	30	9.0 - 16.0
1SNG602105R0000	EM-SG-PG21-MET-C	PG 21	7.2	32.8	33.0	30	30	13.0 - 18.0
1SNG602106R0000	EM-SG-PG21-MET-D	PG 21	12.0	32.8	33.0	30	30	13.0 - 18.0
1SNG602107R0000	EM-SG-PG29-MET-A	PG 29	8.0	38.6	44.5	40	40	12.0 - 20.0
1SNG602108R0000	EM-SG-PG29-MET-B	PG 29	12.0	38.6	44.5	40	40	12.0 - 20.0
1SNG602109R0000	EM-SG-PG29-MET-C	PG 29	8.0	38.6	44.5	40	40	18.0 - 25.0
1SNG602110R0000	EM-SG-PG29-MET-D	PG 29	12.0	38.6	44.5	40	40	18.0 - 25.0
1SNG602111R0000	EM-SG-PG36-MET-A	PG 36	9.0	47.8	55.5	50	50	20.0 - 26.0
1SNG602112R0000	EM-SG-PG36-MET-B	PG 36	14.0	47.8	55.5	50	50	20.0 - 26.0
1SNG602113R0000	EM-SG-PG36-MET-C	PG 36	9.0	47.8	55.5	50	50	22.0 - 32.0
1SNG602114R0000	EM-SG-PG36-MET-D	PG 36	14.0	47.8	55.5	50	50	22.0 - 32.0
1SNG602115R0000	EM-SG-PG42-MET-A	PG 42	12.0	48.9	64.0	58	58	25.0 - 31.0
1SNG602116R0000	EM-SG-PG42-MET-B	PG 42	16.0	48.9	64.0	58	58	25.0 - 31.0
1SNG602117R0000	EM-SG-PG42-MET-C	PG 42	12.0	48.9	64.0	58	58	30.0 - 38.0
1SNG602118R0000	EM-SG-PG42-MET-D	PG 42	16.0	48.9	64.0	58	58	30.0 - 38.0
1SNG602119R0000	EM-SG-PG48-MET-A	PG 48	14.0	52.7	70.0	64	64	29.0 - 35.0
1SNG602120R0000	EM-SG-PG48-MET-B	PG 48	18.0	52.7	70.0	64	64	29.0 - 35.0
1SNG602121R0000	EM-SG-PG48-MET-C	PG 48	14.0	52.7	70.0	64	64	34.0 - 44.0
1SNG602122R0000	EM-SG-PG48-MET-D	PG 48	18.0	52.7	70.0	64	64	34.0 - 44.0

5	1	O-RING	-	NBR	-
4	1	METAL GLAND CAP	-	Brass (Nickel plated)	-
3	1	SEAL	-	CR	-
2	1	PLASTIC INSERT	-	PA6 V2	-
1	1	METAL GLAND BODY	-	Brass (Nickel plated)	-
RPT	QTY	DOC TITLE	DRAWING NUMBER	MATERIAL	COMMENTS
THIS DRAWING IS A CONTROLLED DOCUMENT.		OWN: Rajan, N. Kasli	2/FEB2022		
		CHK: Rafeeq, Mohd	2/FEB2022		
DIMENSIONS:		TOLERANCES UNLESS OTHERWISE SPECIFIED:			
mm		0 PLC	±		
		1 PLC	±		
		2 PLC	±		
		3 PLC	±		
		4 PLC	±		
ANGLES					
FINISH					
MATERIAL REF. TABLE		REF. TABLE		WEIGHT	
CUSTOMER DRAWING		DRAWING NUMBER		RESTRICTED TO	
		A 00779		C=1SNP061345-0100	
		SCALE 5:1		SHEET 1 OF 1 REV A	