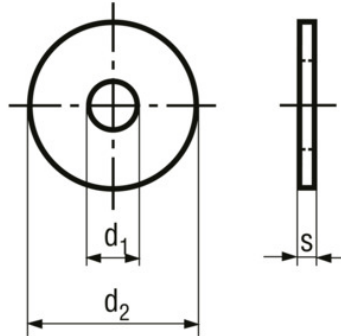


Flat washers without chamfer

BN 729



Standard	DIN 9021 (Standard withdrawn), ~ISO 7093, ~UNI 6593, ~ČSN 021726
Additional information	Hardness class: 140 HV for ≤ M16 (Product grade A), Hardness class: 100 HV for > M16 (Product grade C).
Material	Steel
Surface	zinc plated blue
Hardness	140/100 HV
M2,3: not included in DIN 9021	

Article no.	for thread	d1	d2	s
1269941	M2,3	2,5	7	0,8
1269968	M2,5	2,7	8	0,8
1269976	M3	3,2	9	0,8
1269984	M3,5	3,7	11	0,8
1269992	M4	4,3	12	1
1762273	M5	5,3	15	1,2
1270028	M6	6,4	18	1,6
1270036	M7	7,4	22	2
1762281	M8	8,4	24	2
1270052	M10	10,5	30	2,5
1762303	M12	13	37	3
1762311	M14	15	44	3
1270087	M16	17	50	3
1762338	M18	20	56	4
1762346	M20	22	60	4
5523726	M24	26	72	5