

Bocube Alu | Enclosure with membrane lid, light grey, hinged, with silicone seal, max. IP66



BA 141306 F SIL-7035

Order no.: 00123225.SIL*

* = Available on request.

Important!

To compensate for pressure when temperatures change and cause moisture in the enclosure, we recommend that you use a [pressure compensation](#) element.

In order to ensure that you can determine **the correct quantity of elements for your application**, we are providing you here with a DAE calculator.

» [Additional information](#)

Characteristics

Dimensions

159 x 128 x 60 mm

Colour of enclosure group

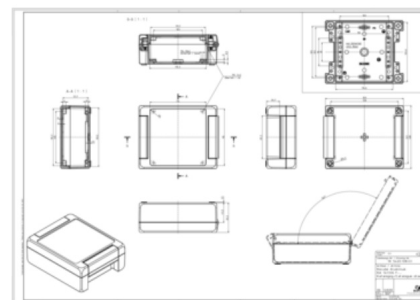
Light grey

Protection class

IP 66

13.03.2026

Product drawing



Enclosure concept

NEMA

3

Operating temperature

-60 until +140° C

Impact protection

IK 07,08

RoHS compliance

status:

konform

REACH SVHC over 0,1%:

Kein SVHC

Enclosure Material

Enclosure: GD Al Si 12, seal PU foamed;

Hinges / covers: Al Mg Si 0.5 powder-coated / natural-coloured anodised

Materials acc. to set of requirements R1 or R7 acc. to DIN EN 45545-2 of hazard level

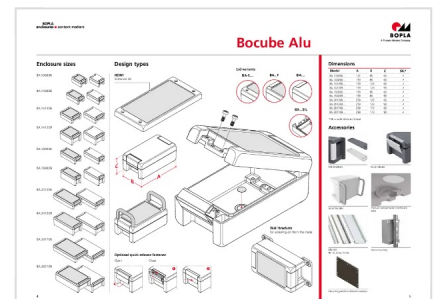
HL3

Scope of delivery

enclosure incl. hinge and fixing material

Note

The dimensions are approximate values. The exact values can be found in the respective product drawing.



Technical documentation / Downloads

Technical drawings

3D product data in STEP format:

00123225.SIL BA-141306-F-SIL-7035.stp
(8.7 MB)

Drawing for mechanical processing:

00123225.SIL BA-141306-F-SIL-7035-G.dxf
(2.1 MB)

Milling contours are shown here as a DXF file. (Sub D, USB, HDMI, cable glands, ...)

Product drawing in PDF format:

00123225.SIL BA-141306-F-SIL-7035.pdf
(298.4 KB)

Product drawing in DXF format:

00123225.SIL BA-141306-F-SIL-7035.dxf
(3.0 MB)

Works test certificates

13.03.2026

690 WPZ-Bocube-Alu BA DE.pdf

(181.9 KB)

690 WPZ-Bocube-Alu BA EN.pdf

(157.8 KB)

885 WPZ-Bocube-Alu BA-S DE.pdf

(219.7 KB)

885 WPZ-Bocube-Alu BA-S EN.pdf

(213.9 KB)

914 WPZ-Bocube-Alu-mit-DAE-D11 BA DE.pdf

(221.9 KB)

914 WPZ-Bocube-Alu-with-DAE-D11 BA EN.pdf

(628.1 KB)

Product information

bocube-alu en.pdf

(956.7 KB)

Assembly Instructions

Bocube Alu BA 100806-281709 Gehaeusemontage Enclosure Assembly 00911501.pdf

(1.6 MB)

Matching accessories



DIN rails DIN EN 60715 TH 15, galvanised steel

22151102

TS 15.110.2

For BA 1408., BA 1413..



DIN rails DIN EN 60715 TH 35, galvanised steel

22351102

TS 35.110.2

For BA 1408., BA 1413..



Handle set for Bocube Alu, aluminium, powder-coated, silver

00510206

**BA GR
13-9006**

For BA ..13..



Mast mounting, stainless steel V2A, uncoated

96502122

MH-2 122

96502167

MH-2 167

Mounting panels, laminated paper, 2 mm

00603200

BA M 1413

For BA 1413..



Pressure compensation membrane DAE

52011000 **DAE-D11** Self-adhesive membrane ø 11 mm



Quick-release fastener

00430205 **BA 13** For BA ..13.. Light grey

SV-7035

00430209 **BA 13 SV-C-0** For BA ..13.. anodized



Wall brackets

00500205 **BA WL 13 -** For BA ..13.. Light grey

7035